

RC-12P1N122300 - Device connector front mounting



1596903

<https://www.phoenixcontact.com/us/products/1596903>

Please be informed that the data shown in this PDF document is generated from our online catalog. Please find the complete data in the user documentation. Our general terms of use for downloads are valid.



M23, Device connector front mounting, series: RC, straight, shielded: yes, Screw locking mechanism, No. of pos.: 12, Direction of rotation: Standard, contact connection type: Pin, Solder cup, Flat gasket, 4x Ø 3.2, coding: N

Commercial data

Item number	1596903
Packing unit	1 pc
Note	Made to order (non-returnable)
Sales key	AB31
Product key	ABRAFL
GTIN	4046356213257
Weight per piece (including packing)	29.74 g
Weight per piece (excluding packing)	29.74 g
Customs tariff number	85366990
Country of origin	DE

RC-12P1N122300 - Device connector front mounting



1596903

<https://www.phoenixcontact.com/us/products/1596903>

Technical data

Product properties

Product type	Circular connectors (device side)
--------------	-----------------------------------

Connector

Insulating body

Coding	N
Insertion/withdrawal cycles	100
Connection method	Solder cup
Contact switching type	Pin
Application	Signal
Number of positions	12
Direction of rotation	Standard
Connection profile	12
Contact diameter Power contacts	1 mm
Litz wire cross-section Power contacts min.	0.08 mm ²
Litz wire cross-section Power contacts max.	1 mm ²
Rated current Power contacts	8 A
Rated voltage	48 V AC 74 V DC
Rated surge voltage	1.5 kV
Overvoltage category	III
Degree of pollution	3

Housing

Housing material	Metal
Type of locking	Screw locking mechanism
Pg screw connection	none
Degree of protection (plugged in)	IP67
Thread type	M23

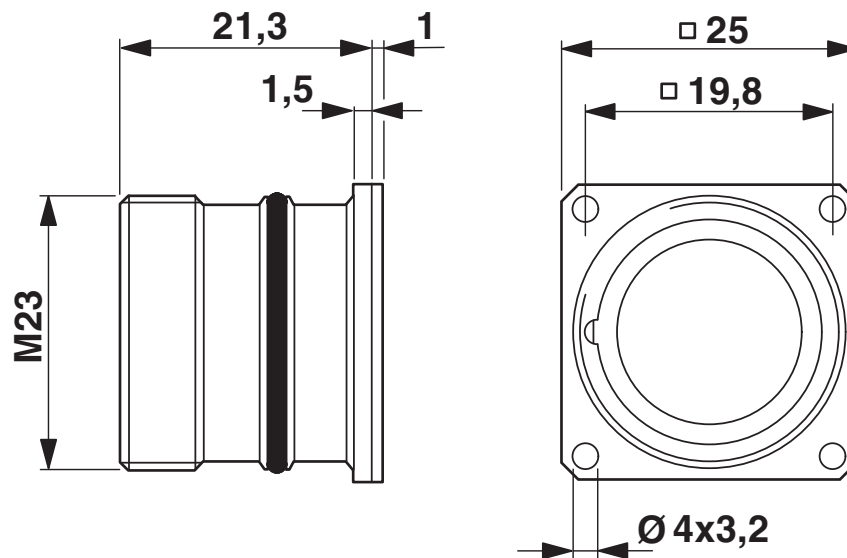
RC-12P1N122300 - Device connector front mounting

1596903

<https://www.phoenixcontact.com/us/products/1596903>

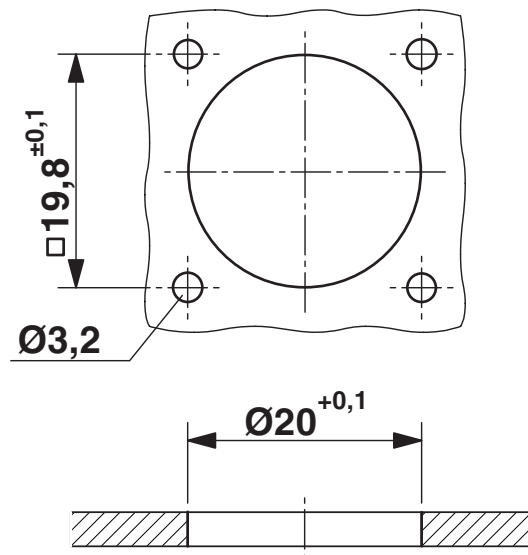
Drawings

Dimensional drawing



Dimensional drawing

Dimensional drawing



Installation dimensions

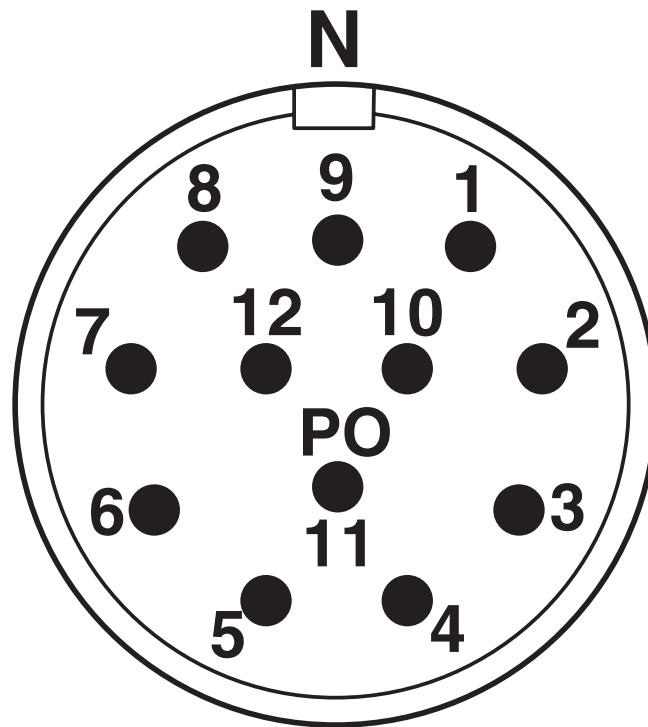
RC-12P1N122300 - Device connector front mounting



1596903

<https://www.phoenixcontact.com/us/products/1596903>

Schematic diagram



Connector pin assignment

RC-12P1N122300 - Device connector front mounting



1596903

<https://www.phoenixcontact.com/us/products/1596903>

Classifications

ECLASS

ECLASS-11.0

27440102

ETIM

ETIM 8.0

EC002635

UNSPSC

UNSPSC 21.0

39121400

RC-12P1N122300 - Device connector front mounting



1596903

<https://www.phoenixcontact.com/us/products/1596903>

Environmental product compliance

EU RoHS

Fulfills EU RoHS substance requirements	Yes
Exemption	6(c)

China RoHS

Environment friendly use period (EFUP)	EFUP-50
	An article-related China RoHS declaration table can be found in the download area for the respective article under "Manufacturer declaration". For all articles with EFUP-E, no China RoHS declaration table issued and required.

EU REACH SVHC

REACH candidate substance (CAS No.)	Lead(CAS: 7439-92-1)
-------------------------------------	----------------------

Phoenix Contact 2024 © - all rights reserved
<https://www.phoenixcontact.com>

Phoenix Contact USA
586 Fulling Mill Road
Middletown, PA 17057, United States
(+717) 944-1300
info@phoenixcon.com