

RC-12S1N8A6000 - Crimp contact



1599169

<https://www.phoenixcontact.com/za/products/1599169>

Please be informed that the data shown in this PDF document is generated from our online catalog. Please find the complete data in the user documentation. Our general terms of use for downloads are valid.



M23, Crimp contact, series: RC, straight, shielded: yes, Screw locking mechanism, No. of pos.: 12, Direction of rotation: Standard, contact connection type: Socket, Crimp connection, Axial seal, Central fixing, Panel thickness min.: 0.8 mm, Panel thickness max.: 6.5 mm, coding: N

Commercial data

Item number	1599169
Packing unit	40 pc
Minimum order quantity	1 pc
Note	Made to order (non-returnable)
Product key	ABRAFL
GTIN	4046356224406
Weight per piece (including packing)	30,74 g
Weight per piece (excluding packing)	30,74 g
Country of origin	DE

RC-12S1N8A6000 - Crimp contact



1599169

<https://www.phoenixcontact.com/za/products/1599169>

Technical data

Notes

General	Order crimp contacts Ø 1 mm separately
---------	--

Product properties

Product type	Circular connectors (device side)
--------------	-----------------------------------

Connector

Insulating body

Note	Order information: Order crimp contacts Ø 1 mm separately
Coding	N
Connection method	Crimp connection
Contact switching type	Socket
Application	Signal
Number of positions	12
Direction of rotation	Standard
Connection profile	12
Contact diameter	1 mm
Rated current	8 A
Rated voltage	48 V AC 74 V DC
Rated surge voltage	1.5 kV
Overvoltage category	III
Degree of pollution	3

Housing

Order information:	Order contact inserts separately
Housing material	Metal
Type of locking	Screw locking mechanism
Pg screw connection	none
Degree of protection (plugged in)	IP67
Thread type	M23

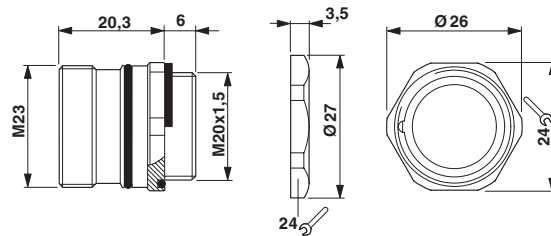
RC-12S1N8A6000 - Crimp contact

1599169

<https://www.phoenixcontact.com/za/products/1599169>

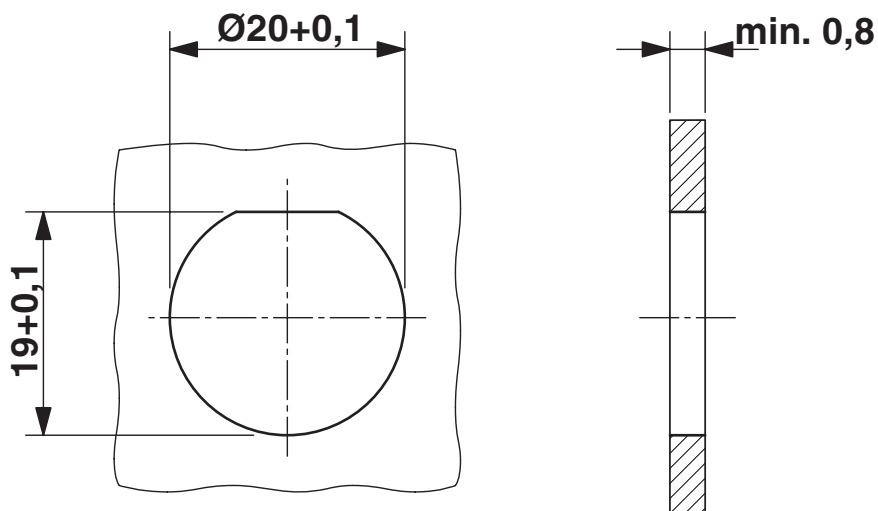
Drawings

Dimensional drawing



Dimensional drawing

Dimensional drawing



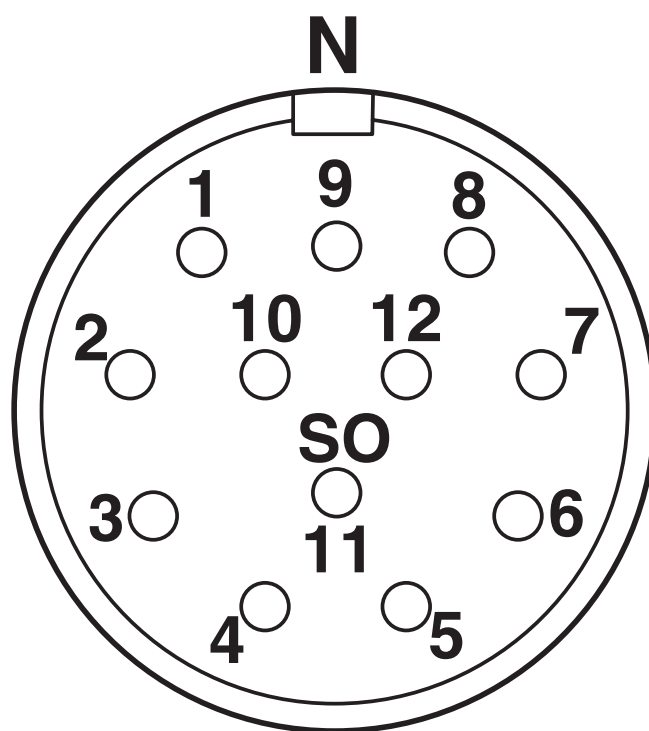
Installation dimensions

RC-12S1N8A6000 - Crimp contact

1599169

<https://www.phoenixcontact.com/za/products/1599169>

Schematic diagram



Connector pin assignment

RC-12S1N8A6000 - Crimp contact



1599169

<https://www.phoenixcontact.com/za/products/1599169>

Environmental product compliance

China RoHS

Environment friendly use period (EFUP)	EFUP-50
	An article-related China RoHS declaration table can be found in the download area for the respective article under "Manufacturer declaration". For all articles with EFUP-E, no China RoHS declaration table issued and required.

EU REACH SVHC

REACH candidate substance (CAS No.)	No substance above 0.1 wt%
-------------------------------------	----------------------------

RC-12S1N8A6000 - Crimp contact

1599169

<https://www.phoenixcontact.com/za/products/1599169>



Accessories

RC-11S2000 - Crimp contact

1596772

<https://www.phoenixcontact.com/za/products/1596772>



Crimp contact, Socket, turned, Single contact, contact diameter: 1 mm, crimp range: 0.08 mm² ... 0.22 mm², Contact release tool not necessary for the 12- and 17-pos. crimp versions of the M23-PRO series, Alternative product in accordance with RoHS II without Exemption 6c (Pb < 0.1 %) item no.: 1241093

RC-12S2000 - Crimp contact

1599600

<https://www.phoenixcontact.com/za/products/1599600>



Crimp contact, Socket, turned, Single contact, contact diameter: 1 mm, crimp range: 0.14 mm² ... 0.56 mm², Contact release tool not necessary for the 12- and 17-pos. crimp versions of the M23-PRO series, Alternative product in accordance with RoHS II without Exemption 6c (Pb < 0.1 %) item no.: 1241093

RC-12S1N8A6000 - Crimp contact

1599169

<https://www.phoenixcontact.com/za/products/1599169>



RC-1KS2000 - Crimp contact

1602998

<https://www.phoenixcontact.com/za/products/1602998>



Crimp contact, Socket, turned, Single contact, contact diameter: 1 mm, crimp range: 0.5 mm² ... 1 mm², Contact release tool not necessary for the 12- and 17-pos. crimp versions of the M23-PRO series, Alternative product in accordance with RoHS II without Exemption 6c (Pb < 0.1 %) item no.: 1241572

RC-22S2000 - Crimp contact

1603327

<https://www.phoenixcontact.com/za/products/1603327>



Crimp contact, Socket, rolled, Single contact, contact diameter: 1 mm, crimp range: 0.22 mm² ... 0.56 mm², Single contact, Item is lead-free in accordance with RoHS II without Exemption 6c (Pb < 0.1 %)

RC-12S1N8A6000 - Crimp contact

1599169

<https://www.phoenixcontact.com/za/products/1599169>



RC-21S2000 - Crimp contact

1603315

<https://www.phoenixcontact.com/za/products/1603315>



Crimp contact, Socket, rolled, Single contact, contact diameter: 1 mm, crimp range: 0.08 mm² ... 0.22 mm², Single contact

RC-22S2300 - Crimp contact

1603330

<https://www.phoenixcontact.com/za/products/1603330>



Crimp contact, Socket, rolled, Taped product, number of pieces per reel: 500, contact diameter: 1 mm, crimp range: 0.22 mm² ... 0.56 mm², Item is lead-free in accordance with RoHS II without Exemption 6c (Pb < 0.1 %)

RC-12S1N8A6000 - Crimp contact

1599169

<https://www.phoenixcontact.com/za/products/1599169>



RC-22S2400 - Crimp contact

1603332

<https://www.phoenixcontact.com/za/products/1603332>



Crimp contact, Socket, rolled, Taped product, number of pieces per reel: 10000, contact diameter: 1 mm, crimp range: 0.22 mm² ... 0.56 mm², Item is lead-free in accordance with RoHS II without Exemption 6c (Pb < 0.1 %)

RC-21S2300 - Crimp contact

1603318

<https://www.phoenixcontact.com/za/products/1603318>



Crimp contact, Socket, rolled, Taped product, number of pieces per reel: 500, contact diameter: 1 mm, crimp range: 0.08 mm² ... 0.22 mm²

RC-12S1N8A6000 - Crimp contact

1599169

<https://www.phoenixcontact.com/za/products/1599169>



RC-21S2400 - Crimp contact

1616500

<https://www.phoenixcontact.com/za/products/1616500>



Crimp contact, Socket, rolled, Taped product, number of pieces per reel: 10000, contact diameter: 1 mm, crimp range: 0.08 mm² ... 0.22 mm²

Phoenix Contact 2024 © - all rights reserved

<https://www.phoenixcontact.com>

PHOENIX CONTACT (Pty) Ltd.

36 Lyn Road P.O. Box 916 ZA-Ferndale 2160

+27/11/801-8200

info@phoenixcontact.co.za