

# RC-19P1NT24100 - Device connector rear mounting



1602721

<https://www.phoenixcontact.com/us/products/1602721>

Please be informed that the data shown in this PDF document is generated from our online catalog. Please find the complete data in the user documentation. Our general terms of use for downloads are valid.



M23, Device connector rear mounting, series: RC, straight, Screw locking mechanism, No. of pos.: 16+3, Direction of rotation: Standard, contact connection type: Pin, Solder-in connection, Flat gasket, 4xM3, Panel thickness min.: 2.7 mm, Panel thickness max.: 3.5 mm, coding: N

## Commercial data

Item number	1602721
Packing unit	1 pc
Note	Made to order (non-returnable)
Sales key	AB31
Product key	ABRAFR
GTIN	4046356241199
Weight per piece (including packing)	39.31 g
Weight per piece (excluding packing)	33.64 g
Customs tariff number	85366990
Country of origin	DE

# RC-19P1NT24100 - Device connector rear mounting



1602721

<https://www.phoenixcontact.com/us/products/1602721>

## Technical data

### Product properties

Product type	Circular connectors (device side)
--------------	-----------------------------------

### Connector

#### Insulating body

Coding	N
Connection method	Solder-in connection
Contact switching type	Pin
Application	Signal
Number of positions	19
Direction of rotation	Standard
Connection profile	16+3
Contact diameter <b>Power contacts</b>	1.5 mm
Rated current <b>Power contacts</b>	10 A
Rated voltage	48 V AC
	74 V DC
Rated surge voltage	1.5 kV
Overvoltage category	III
Degree of pollution	3
Contact diameter <b>Signal contacts</b>	1 mm
Nominal current per signal contact	8 A

#### Housing

Housing material	Metal
Type of locking	Screw locking mechanism
Pg screw connection	none
Degree of protection (plugged in)	IP67
Thread type	M23

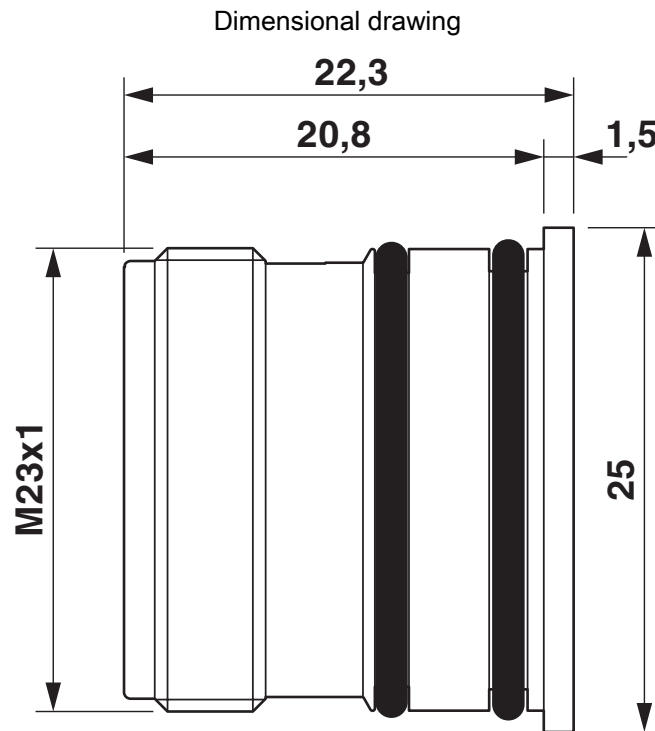
# RC-19P1NT24100 - Device connector rear mounting



1602721

<https://www.phoenixcontact.com/us/products/1602721>

## Drawings



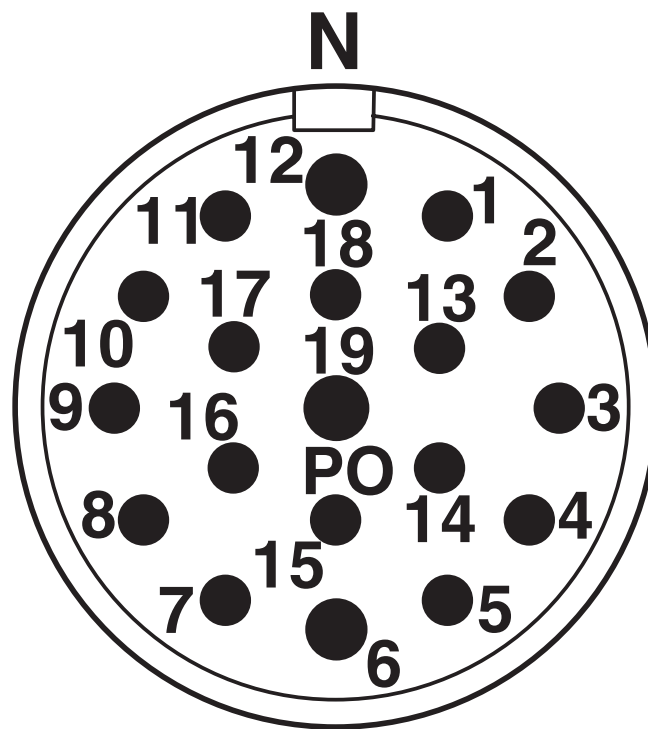
Dimensional drawing, side view

# RC-19P1NT24100 - Device connector rear mounting

1602721

<https://www.phoenixcontact.com/us/products/1602721>

Schematic diagram

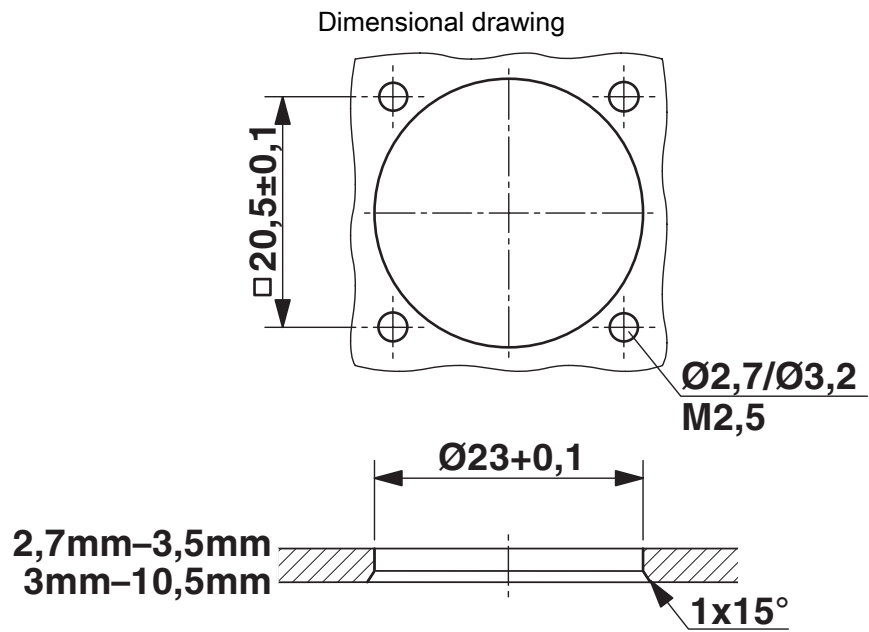


Connector pin assignment

# RC-19P1NT24100 - Device connector rear mounting

1602721

<https://www.phoenixcontact.com/us/products/1602721>



Installation dimensions

# RC-19P1NT24100 - Device connector rear mounting



1602721

<https://www.phoenixcontact.com/us/products/1602721>

## Classifications

### UNSPSC

UNSPSC 21.0	39121413
-------------	----------

1602721

<https://www.phoenixcontact.com/us/products/1602721>

## Environmental product compliance

### EU RoHS

Fulfills EU RoHS substance requirements	Yes
Exemption	6(c)

### China RoHS

Environment friendly use period (EFUP)	EFUP-50
	An article-related China RoHS declaration table can be found in the download area for the respective article under "Manufacturer declaration". For all articles with EFUP-E, no China RoHS declaration table issued and required.

### EU REACH SVHC

REACH candidate substance (CAS No.)	No substance above 0.1 wt%
-------------------------------------	----------------------------

Phoenix Contact 2024 © - all rights reserved  
<https://www.phoenixcontact.com>

Phoenix Contact USA  
586 Fulling Mill Road  
Middletown, PA 17057, United States  
(+717) 944-1300  
[info@phoenixcon.com](mailto:info@phoenixcon.com)