

RC-19S1N12Y300 - Device connector front mounting with knurled nut



1602923

<https://www.phoenixcontact.com/us/products/1602923>

Please be informed that the data shown in this PDF document is generated from our online catalog. Please find the complete data in the user documentation. Our general terms of use for downloads are valid.



M23, Device connector front mounting with knurled nut, series: RC, straight, shielded: no, Screw locking mechanism, No. of pos.: 16+3, Direction of rotation: Standard, contact connection type: Socket, Solder cup, Flat gasket, 4x Ø 3.2, coding: N

Commercial data

Item number	1602923
Packing unit	20 pc
Minimum order quantity	20 pc
Note	Made to order (non-returnable)
Sales key	AB31
Product key	ABRAFO
GTIN	4046356242400
Weight per piece (including packing)	36.82 g
Weight per piece (excluding packing)	36.82 g
Customs tariff number	85366990
Country of origin	DE

RC-19S1N12Y300 - Device connector front mounting with knurled nut



1602923

<https://www.phoenixcontact.com/us/products/1602923>

Technical data

Product properties

Product type	Circular connectors (device side)
--------------	-----------------------------------

Connector

Insulating body

Coding	N
Insertion/withdrawal cycles	100
Connection method	Solder cup
Contact switching type	Socket
Application	Signal
Number of positions	19
Direction of rotation	Standard
Connection profile	16+3
Contact diameter Power contacts	1.5 mm
Litz wire cross-section Power contacts min.	0.08 mm ²
Litz wire cross-section Power contacts max.	1 mm ²
Rated current Power contacts	10 A
Rated voltage	48 V AC 74 V DC
Rated surge voltage	1.5 kV
Overvoltage category	III
Degree of pollution	3
Contact diameter Signal contacts	1 mm
Litz wire cross-section Signal contacts min.	0.08 mm ²
Litz wire cross-section Signal contacts max.	1 mm ²
Nominal current per signal contact	8 A
Contact diameter Data contacts	1.5 mm

Housing

Type of locking	Screw locking mechanism
Degree of protection (plugged in)	IP67
Thread type	M23

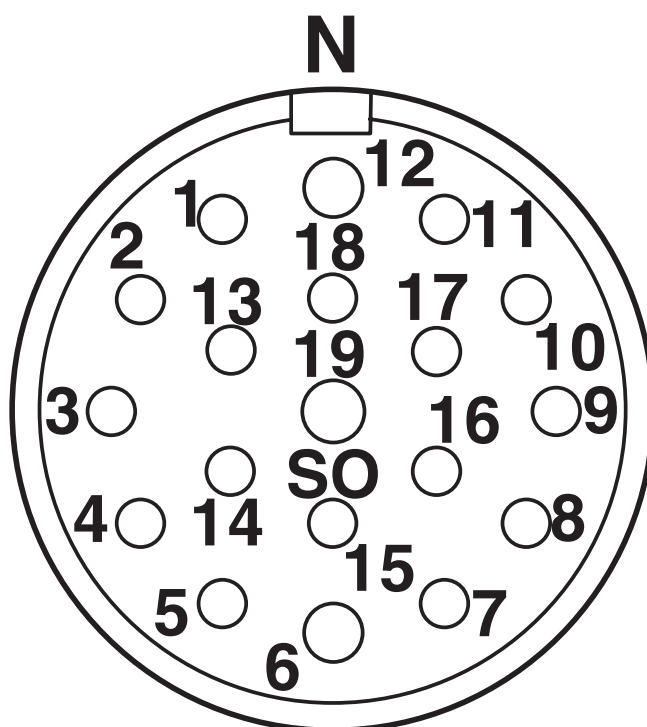
RC-19S1N12Y300 - Device connector front mounting with knurled nut

1602923

<https://www.phoenixcontact.com/us/products/1602923>

Drawings

Schematic diagram



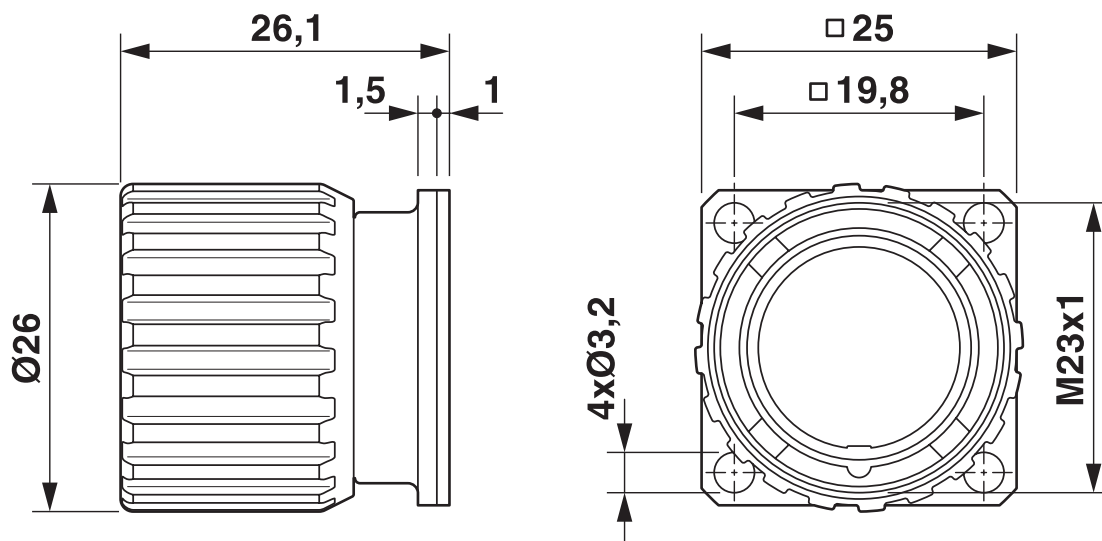
Connector pin assignment

RC-19S1N12Y300 - Device connector front mounting with knurled nut

1602923

<https://www.phoenixcontact.com/us/products/1602923>

Dimensional drawing



Dimensional drawing

RC-19S1N12Y300 - Device connector front mounting with knurled nut



1602923

<https://www.phoenixcontact.com/us/products/1602923>

Classifications

ECLASS

ECLASS-11.0	27440102
ECLASS-12.0	27440116
ECLASS-13.0	27440116

ETIM

ETIM 8.0	EC002635
----------	----------

UNSPSC

UNSPSC 21.0	39121400
-------------	----------

RC-19S1N12Y300 - Device connector front mounting with knurled nut



1602923

<https://www.phoenixcontact.com/us/products/1602923>

Environmental product compliance

EU RoHS

Fulfills EU RoHS substance requirements	Yes
Exemption	6(c)

China RoHS

Environment friendly use period (EFUP)	EFUP-50
	An article-related China RoHS declaration table can be found in the download area for the respective article under "Manufacturer declaration". For all articles with EFUP-E, no China RoHS declaration table issued and required.

EU REACH SVHC

REACH candidate substance (CAS No.)	Lead(CAS: 7439-92-1)
SCIP	2b8003cc-dd34-4eff-a237-243e9f7a05c3

RC-19S1N12Y300 - Device connector front mounting with knurled nut



1602923

<https://www.phoenixcontact.com/us/products/1602923>

Accessories

RC-Z2062 - Metal protective cap

1604228

<https://www.phoenixcontact.com/us/products/1604228>

Metal protective cap, M23, degree of protection: IP67, series: RC, UC, RF, SF, NC, RM, Alternative product in accordance with RoHS II without Exemption 6c (Pb < 0.1 %) item no.: 1241732



PROT-M23-SG-IT-IP20 - Plastic protective cap

1577206

<https://www.phoenixcontact.com/us/products/1577206>

Plastic protective cap, M23, degree of protection: IP20, series: CA, RC, RF, UC, RM



Phoenix Contact 2024 © - all rights reserved
<https://www.phoenixcontact.com>

Phoenix Contact USA
586 Fulling Mill Road
Middletown, PA 17057, United States
(+717) 944-1300
info@phoenixcon.com