

RC-1RS1NRAH000 - Device connector rear mounting



1603265

<https://www.phoenixcontact.com/ie/products/1603265>

Please be informed that the data shown in this PDF document is generated from our online catalog. Please find the complete data in the user documentation. Our general terms of use for downloads are valid.



M23, Device connector rear mounting, series: RC, straight, shielded: yes, Screw locking mechanism, No. of pos.: 16+2+FE, Direction of rotation: Standard, contact connection type: Socket, Crimp connection, Axial O-ring, Central fastening M25 x 1.5, Panel thickness min.: 0.8 mm, Panel thickness max.: 6.5 mm, coding: N

Commercial data

Item number	1603265
Packing unit	20 pc
Minimum order quantity	1 pc
Note	Made to order (non-returnable)
Sales key	*****
Product key	ABRAFR
GTIN	4046356244503
Weight per piece (including packing)	55.11 g
Weight per piece (excluding packing)	55.11 g
Customs tariff number	85366990
Country of origin	DE

RC-1RS1NRAH000 - Device connector rear mounting



1603265

<https://www.phoenixcontact.com/ie/products/1603265>

Technical data

Notes

Order information:	Order crimp contacts 16 x Ø 1 mm, 2 x Ø 1.5 mm, 1 x Ø 1.5 (PE) separately
--------------------	---

Product properties

Product type	Circular connectors (device side)
--------------	-----------------------------------

Connector

Insulating body

Note	Order information: Order crimp contacts 16 x Ø 1 mm, 2 x Ø 1.5 mm, 1 x Ø 1.5 (PE) separately
Coding	N
Connection method	Crimp connection
Contact switching type	Socket
Application	Signal
Number of positions	19
Direction of rotation	Standard
Connection profile	16+2+FE
Contact diameter Power contacts	1.5 mm
Rated current Power contacts	10 A
Note	for max. connection cross section
Rated voltage	48 V AC 74 V DC
Rated surge voltage	1.5 kV
Overvoltage category	II
Degree of pollution	3
Contact diameter Signal contacts	1 mm
Litz wire cross-section Signal contacts min.	0.08 mm ²
Litz wire cross-section Signal contacts max.	1 mm ²
Nominal current per signal contact	8 A
Overvoltage category	II
Degree of pollution	3

Housing

Housing material	Metal
Type of locking	Screw locking mechanism
Pg screw connection	none
Degree of protection (plugged in)	IP67
Thread type	M23

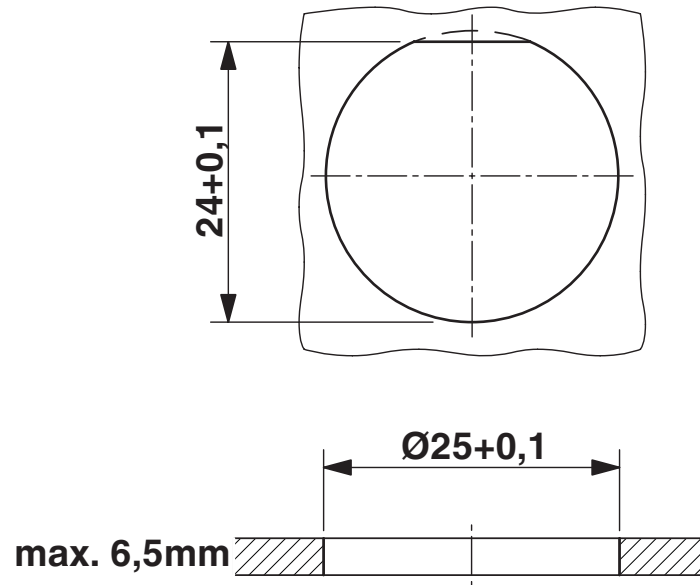
RC-1RS1NRAH000 - Device connector rear mounting

1603265

<https://www.phoenixcontact.com/ie/products/1603265>

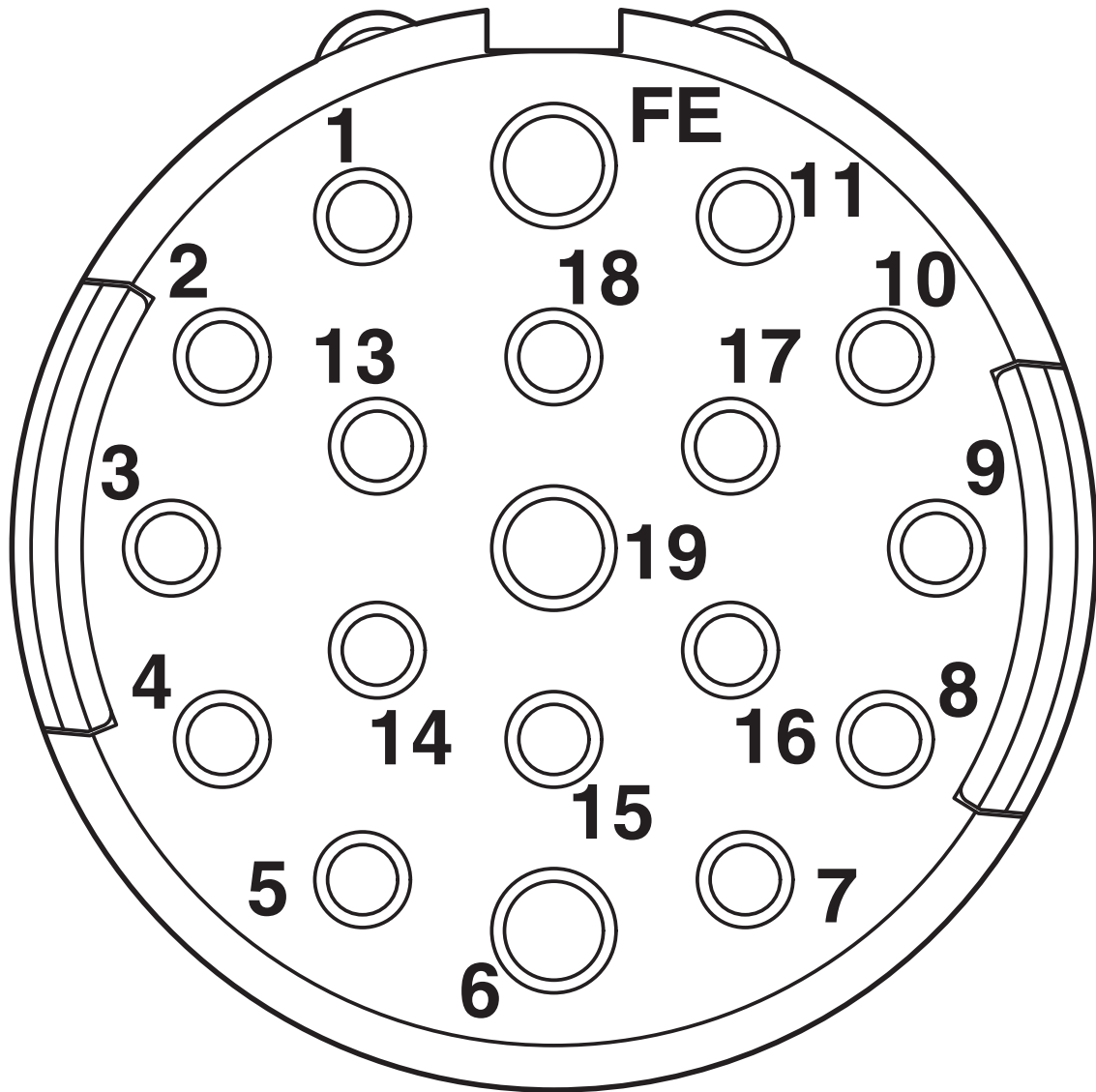
Drawings

Dimensional drawing



Installation dimensions

Schematic diagram



Connector pin assignment

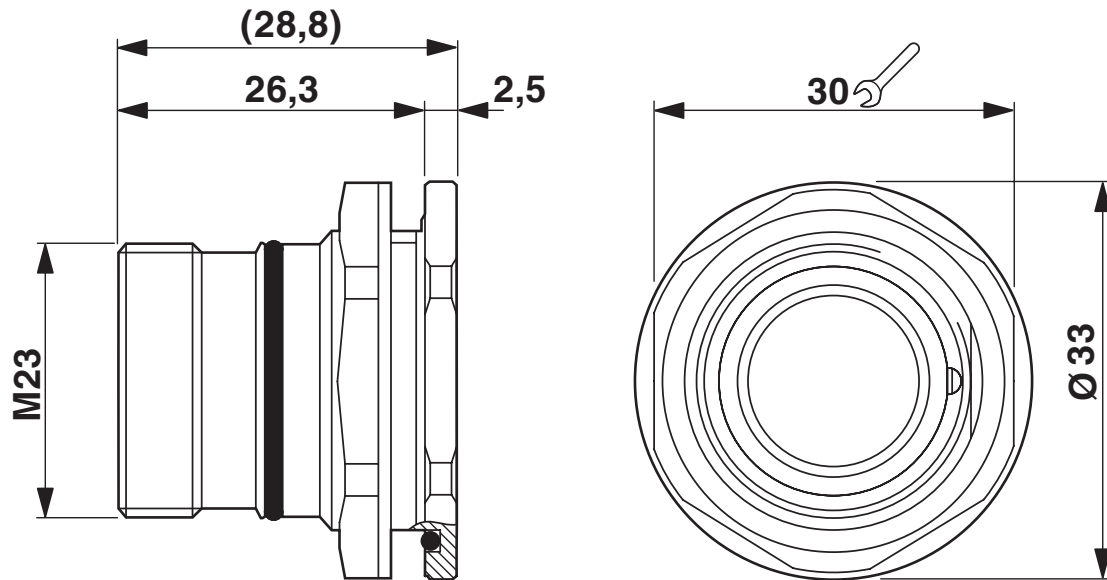
RC-1RS1NRAH000 - Device connector rear mounting



1603265

<https://www.phoenixcontact.com/ie/products/1603265>

Dimensional drawing



Dimensional drawing

Phoenix Contact 2024 © - all rights reserved
<https://www.phoenixcontact.com>

Phoenix Contact (Ireland) Ltd
C6 The Exchange, Calmount Park, Ballymount
Dublin 12, D12 XE18
+353/1/2051-300
info@phoenixcontact.ie