

HC-B 24-TMB-100/O1STM40S-EMV - EMC housing



1604609

<https://www.phoenixcontact.com/us/products/1604609>

Please be informed that the data shown in this PDF document is generated from our online catalog. Please find the complete data in the user documentation. Our general terms of use for downloads are valid.



HEAVYCON ADVANCE EMV sleeve housing B24, with bayonet locking, height 100 mm, with 1xM40 thread, lateral cable outlet

Commercial data

| | |
|--------------------------------------|--------------------|
| Item number | 1604609 |
| Packing unit | 10 pc |
| Minimum order quantity | 10 pc |
| Sales key | BF58 |
| Product key | BF7AAA |
| Catalog page | Page 479 (PC-2009) |
| GTIN | 4017918948283 |
| Weight per piece (including packing) | 456 g |
| Weight per piece (excluding packing) | 456 g |
| Customs tariff number | 85389099 |
| Country of origin | DE |

HC-B 24-TMB-100/O1STM40S-EMV - EMC housing



1604609

<https://www.phoenixcontact.com/us/products/1604609>

Technical data

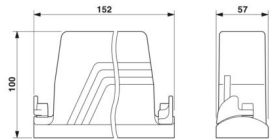
Notes

| | |
|---------|--|
| General | for contact inserts HC-B24, BB46, D64, DD108, HV10/16, M |
|---------|--|

Product properties

| | |
|------------------------------|------------------------------|
| Product type | Housing with bayonet locking |
| Housing type | Sleeve housing |
| Application | EMC |
| Type | B24 |
| No. of cable outlets | 1 |
| Type of the screw connection | 1x M40 |
| Cable outlet | lateral |
| Pg screw connection | none |

Dimensions

| | |
|---------------------|--|
| Dimensional drawing |  |
| Width | 57 mm |
| Height | 100 mm |
| Length | 152 mm |

Installation dimensions

| | |
|-------------------------------|--------|
| Width of the assembly cutout | 35 mm |
| Length of the assembly cutout | 112 mm |

Material specifications

| | |
|--------------------------|---------------------------------|
| Seal material | NBR, conductive |
| Housing material | die-cast aluminum |
| Housing surface material | Powder coating |
| Locking latch material | High-grade steel, handle: PA-GF |

Environmental and real-life conditions

Ambient conditions

| | |
|---------------------------------|-------------------|
| Degree of protection | IP65 |
| | IP67 |
| Ambient temperature (operation) | -40 °C ... 125 °C |

Mechanical properties

Mechanical data

HC-B 24-TMB-100/O1STM40S-EMV - EMC housing



1604609

<https://www.phoenixcontact.com/us/products/1604609>

| | |
|------------------------------|--------|
| Type of the screw connection | 1x M40 |
| Locking type | Screw |

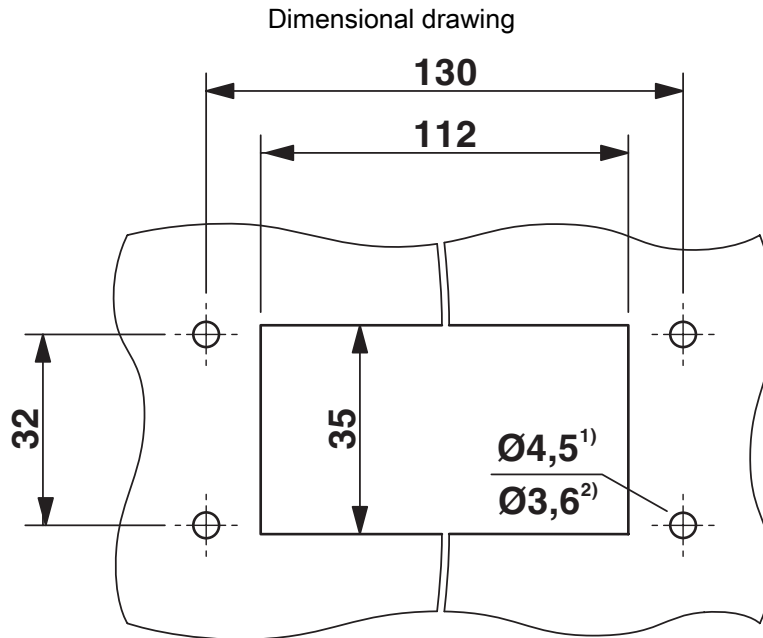
Mounting

| | |
|---------------|--|
| Assembly note | In order to guarantee that the protective conductor contact functions even when plugged in at an angle, the two panel-mount flanges must have sufficient electrical contact with the metal mounting panel. |
| | If insulating powder coating is present on the control cabinet panel, it should be removed from the profile gasket area in order to ensure optimum shielding. |

1604609

<https://www.phoenixcontact.com/us/products/1604609>

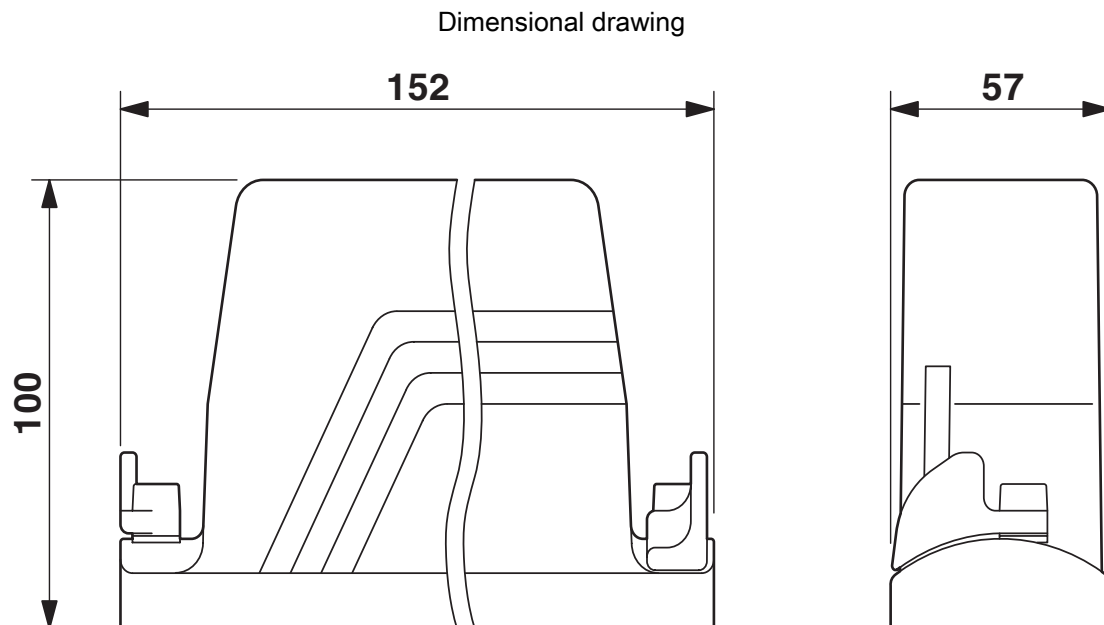
Drawings



Mounting cutout

1) when M4 screws are used

2) when self-tapping Torx® screws are used (Torx® 20, M4)



Dimensional drawing

HC-B 24-TMB-100/O1STM40S-EMV - EMC housing



1604609

<https://www.phoenixcontact.com/us/products/1604609>

Approvals

To download certificates, visit the product detail page: <https://www.phoenixcontact.com/us/products/1604609>



EAC

Approval ID: RU C-DE.AI30.B.01102

1604609

<https://www.phoenixcontact.com/us/products/1604609>

Classifications

ECLASS

| | |
|-------------|----------|
| ECLASS-11.0 | 27440202 |
| ECLASS-12.0 | 27440202 |
| ECLASS-13.0 | 27440202 |

ETIM

| | |
|----------|----------|
| ETIM 9.0 | EC000437 |
|----------|----------|

UNSPSC

| | |
|-------------|----------|
| UNSPSC 21.0 | 31261500 |
|-------------|----------|

1604609

<https://www.phoenixcontact.com/us/products/1604609>

Environmental product compliance

EU RoHS

| | |
|---|--------------------|
| Fulfills EU RoHS substance requirements | Yes, No exemptions |
|---|--------------------|

China RoHS

| | |
|--|--|
| Environment friendly use period (EFUP) | EFUP-E |
| | No hazardous substances above the limits |

EU REACH SVHC

| | |
|-------------------------------------|----------------------------|
| REACH candidate substance (CAS No.) | No substance above 0.1 wt% |
|-------------------------------------|----------------------------|

HC-B 24-TMB-100/O1STM40S-EMV - EMC housing



1604609

<https://www.phoenixcontact.com/us/products/1604609>

Accessories

HC-B-BF - Panel-mount flange

1604641

<https://www.phoenixcontact.com/us/products/1604641>



Panel mounting flange for HEAVYCON ADVANCE TMB housing with bayonet locking

HC-B-BF-SET - Panel-mount flange

1604654

<https://www.phoenixcontact.com/us/products/1604654>



Bayonet mounting flange set, consisting of 2 mounting flanges with 4 self-tapping Torx® head screws and 4 fan-type spacers

HC-B 24-TMB-100/O1STM40S-EMV - EMC housing

1604609

<https://www.phoenixcontact.com/us/products/1604609>



HC-B 24-TMS-SD-IP66 - Protective cover

1411520

<https://www.phoenixcontact.com/us/products/1411520>



HEAVYCON ADVANCE, IP66, B24 protective cover for panel mounting side, with screw locking, with retaining cord, diameter of retaining cord eyelet: 3 mm

G-INS-M40-M68N-PNES-GY - Cable gland

1411128

<https://www.phoenixcontact.com/us/products/1411128>



Cable gland, material for screw connection: PA, application: Standard, external cable diameter 19 mm ... 28 mm, shielding: no, connecting thread: M40 x 1.5, color: silver-grey RAL 7001

HC-B 24-TMB-100/O1STM40S-EMV - EMC housing

1604609

<https://www.phoenixcontact.com/us/products/1604609>



G-INS-M40-M68N-PNES-BK - Cable gland

1411137

<https://www.phoenixcontact.com/us/products/1411137>



Cable gland, material for screw connection: PA, application: Standard, external cable diameter 19 mm ... 28 mm, shielding: no, connecting thread: M40 x 1.5, color: jet black RAL 9005

G-INS-M40-M68N-NNES-S - Cable gland

1411167

<https://www.phoenixcontact.com/us/products/1411167>



Cable gland, material for screw connection: Brass, nickel-plated, application: Standard, external cable diameter 19 mm ... 28 mm, shielding: no, connecting thread: M40 x 1.5, color: silver, with O-ring

HC-B 24-TMB-100/O1STM40S-EMV - EMC housing

1604609

<https://www.phoenixcontact.com/us/products/1604609>



HC-M-KV-M40(27-34) - Cable gland

1607729

<https://www.phoenixcontact.com/us/products/1607729>



Metal screw connection up to 5 bar, thread length: 8 mm, cable diameter: 27 ... 34 mm, WAF 50, screw connection: M40

G-INSEC-M40-M68N-NCRS-S - Cable gland

1411192

<https://www.phoenixcontact.com/us/products/1411192>



Cable gland, material for screw connection: Brass, nickel-plated, application: EMC, external cable diameter 19 mm ... 27 mm, shielding: yes, connecting thread: M40 x 1.5, color: silver, with O-ring

HC-B 24-TMB-100/O1STM40S-EMV - EMC housing

1604609

<https://www.phoenixcontact.com/us/products/1604609>



HC-M-KV-Z-M40 - Cable gland

1646175

<https://www.phoenixcontact.com/us/products/1646175>

Metal screw connection with strain relief clamp, thread length: 8 mm, cable sealing area: 24 - 33 mm, clamping area: 26 - 36 mm, SW 50, screw connection: M40



REDUC-M-KV-M40/M32 - Reducing adapter

1647640

<https://www.phoenixcontact.com/us/products/1647640>

Reducing adapter, connecting thread: M40 x 1.5, color: silver, with O-ring



HC-B 24-TMB-100/O1STM40S-EMV - EMC housing



1604609

<https://www.phoenixcontact.com/us/products/1604609>

HC-M-BS-M40 - Screw plug

1645875

<https://www.phoenixcontact.com/us/products/1645875>

Screw plug, material for screw connection: Brass, nickel-plated, connecting thread: M40 x 1.5, color: silver



Phoenix Contact 2024 © - all rights reserved

<https://www.phoenixcontact.com>

Phoenix Contact USA
586 Fulling Mill Road
Middletown, PA 17057, United States
(+717) 944-1300
info@phoenixcon.com