

VC-AML 4-PEA - Contact insert

1607516

<https://www.phoenixcontact.com/sg/products/1607516>

Please be informed that the data shown in this PDF document is generated from our online catalog. Please find the complete data in the user documentation. Our general terms of use for downloads are valid.



Contact insert, Range of articles: VARIOCON, design: VC2, housing material: PA, color: light grey, number of positions: 4, rated voltage: 690, rated current: 63 A, Connection method: PCB connection, Contact connection type: Pin. Connectors may only be connected/disconnected when under no load.

Commercial data

Item number	1607516
Packing unit	5 pc
Minimum order quantity	5 pc
Note	Made to order (non-returnable)
Sales key	0223*
Product key	ABLACC
Catalog page	Page 26 (C-2-2013)
GTIN	4017918980382
Weight per piece (including packing)	29.74 g
Weight per piece (excluding packing)	29.74 g
Customs tariff number	85366990
Country of origin	PL

Technical data

Notes

General	Connectors may only be connected/disconnected when under no load.
Safety note	<p>WARNING: The connectors may not be plugged in or disconnected under load. Ignoring the warning or improper use may damage persons and/or property.</p> <ul style="list-style-type: none"> • WARNING: Commission properly functioning products only. The products must be regularly inspected for damage. Decommission defective products immediately. Replace damaged products. Repairs are not possible. • WARNING: Only electrically qualified personnel may install and operate the product. They must observe the following safety notes. The qualified personnel must be familiar with the basics of electrical engineering. They must be able to recognize and prevent danger. The relevant symbol on the packaging indicates that only personnel familiar with electrical engineering are allowed to install and operate the product. • The products are suitable for applications in plant, controller, and electrical device engineering. • When operating the connectors in outdoor applications, they must be separately protected against environmental influences. • Assembled products may not be manipulated or improperly opened. • Only use mating connectors that are specified in the technical data of the standards listed (e.g. the ones listed in the product accessories online at phoenixcontact.com/products). • When using the product in direct connection with third-party manufacturers, the user is responsible. • For operating voltages > 50 V AC, conductive connector housings must be grounded • Ensure that the protective or functional ground has been properly connected. • VDE 0100/1.97 § 411.1.3.2 and DIN EN 60 204/11.98 § 14.1.3 are applicable when combining several circuits in a cable and/or connector • Observe the corresponding technical data. You will find information: <ul style="list-style-type: none"> o On the product o On the packing label o In the supplied documentation o Online at phoenixcontact.com/products under the product • Only use tools recommended by Phoenix Contact • The installation notes/Design In documents online on the download page at phoenixcontact.com/products must be observed for this product. • Use a protective cap to protect connectors that are not in use. The suitable accessories are available online in the accessory section of the product at phoenixcontact.com/products • Operate the connector only when it is fully plugged in.

VC-AML 4-PEA - Contact insert



1607516

<https://www.phoenixcontact.com/sg/products/1607516>

	<ul style="list-style-type: none">• Ensure that when laying the cable, the tensile load on the connectors does not exceed the upper limit specified in the standards.
	<ul style="list-style-type: none">• Observe the minimum bending radius of the cable. Lay the cable without twisting it.
	<ul style="list-style-type: none">• The connector warms up in normal operation. Depending on the ambient conditions, the surface of the connector can continue to warm up. In this case, the user is responsible for posting warnings (e.g. DIN EN ISO 13732-1:2008-12).

Product properties

Type	VC2
Product type	Contact insert
Product family	VARIOCON
Number of positions	4
Pitch	10.16 mm
Connection profile	3+PE
Number of module slots	3
Series	VC-M

Insulation characteristics

Degree of pollution	3
---------------------	---

Electrical properties

Rated voltage (II/2)	1000 V
Rated voltage (III/2)	1000 V
Rated voltage (III/3)	690 V
	690 V
Nominal voltage ATD	690
Rated surge voltage	6 kV
Rated surge voltage (II/2)	8 kV
Rated surge voltage (III/2)	8 kV
Rated surge voltage (III/3)	8 kV
Rated surge voltage	6 kV
Rated current	63 A
	70 A
	63 A
Nominal voltage U_N	690 V

Connection data

Connection method	PCB connection
-------------------	----------------

Dimensions

VC-AML 4-PEA - Contact insert

1607516

<https://www.phoenixcontact.com/sg/products/1607516>

Dimensional drawing	
Width	45 mm
Height	23 mm
Length	35.6 mm
Hole diameter	1.7 mm
Pitch	10.16 mm

Material specifications

Color	light grey
Color of the housing part	gray
Material	Polyamide
Flammability rating according to UL 94	V0
Insulating material group	I
Contact material	E-Cu 58
Contact surface material	hard-silver plated
Contact carrier material	PA
Housing material	PA

Cable/line

Halogen-free	yes
--------------	-----

Mechanical properties

Mechanical data

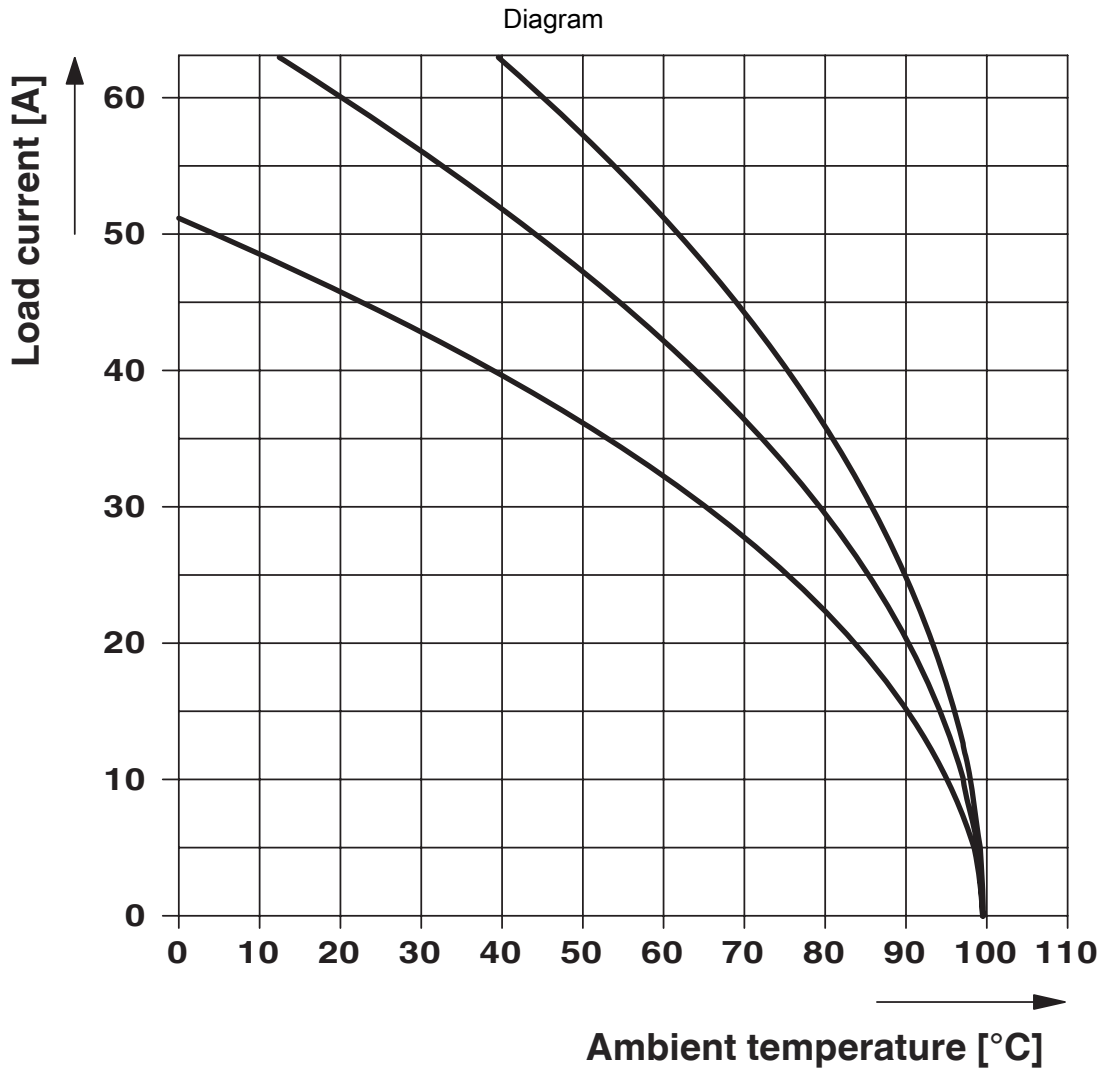
Insertion/withdrawal cycles	≥ 50
-----------------------------	------

Environmental and real-life conditions

Ambient conditions

Ambient temperature (operation)	-40 °C ... 100 °C
---------------------------------	-------------------

Drawings



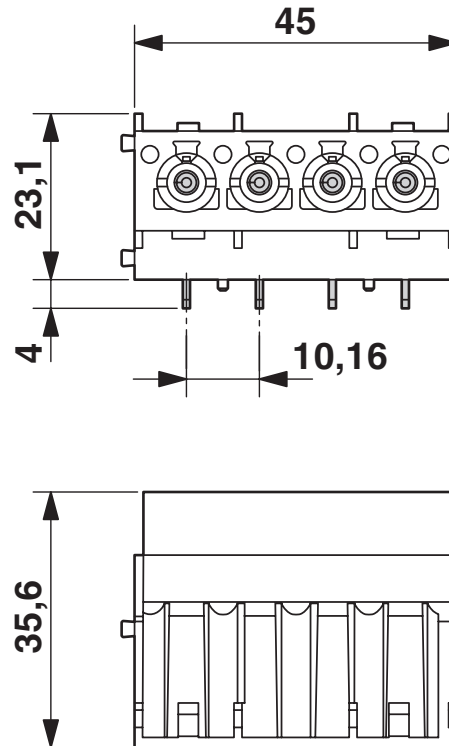
VC-AML 4-PEA - Contact insert

1607516

<https://www.phoenixcontact.com/sg/products/1607516>



Dimensional drawing



VC-AML 4-PEA - Contact insert





1607516

<https://www.phoenixcontact.com/sg/products/1607516>

Approvals

To download certificates, visit the product detail page: <https://www.phoenixcontact.com/sg/products/1607516>

 cUL Recognized Approval ID: FILE E 118976				
	Nominal voltage U_N	Nominal current I_N	Cross section AWG	Cross section mm^2
	600 V	45 A	-	-

 UL Recognized Approval ID: FILE E 118976				
	Nominal voltage U_N	Nominal current I_N	Cross section AWG	Cross section mm^2
	600 V	55 A	-	-

cULus Recognized

VC-AML 4-PEA - Contact insert



1607516

<https://www.phoenixcontact.com/sg/products/1607516>

Classifications

ECLASS

ECLASS-11.0	27440223
ECLASS-12.0	27440223
ECLASS-13.0	27440223

ETIM

ETIM 9.0	EC003557
----------	----------

UNSPSC

UNSPSC 21.0	39121400
-------------	----------

VC-AML 4-PEA - Contact insert



1607516

<https://www.phoenixcontact.com/sg/products/1607516>

Environmental product compliance

China RoHS	Environmentally friendly use period: unlimited = EFUP-e
	No hazardous substances above threshold values

Phoenix Contact 2024 © - all rights reserved
<https://www.phoenixcontact.com>

PHOENIX CONTACT SEA Pte. Ltd.
105 Eunos Avenue 3, #04-00
Singapore 409836
+65 6228 4900
marketing@phoenixcontact.com.sg