

CA-19P1N129007 - Coupler connector



1620047

<https://www.phoenixcontact.com/us/products/1620047>

Please be informed that the data shown in this PDF document is generated from our online catalog. Please find the complete data in the user documentation. Our general terms of use for downloads are valid.



M23, Coupler connector, series: CA, straight, shielded: yes, for standard and SPEEDCON interlock, No. of pos.: 16+3, Direction of rotation: Standard, contact connection type: Pin, Solder connection, cable diameter range: 6 mm ... 10 mm, coding: N, Alternative product in accordance with RoHS II without Exemption 6c (Pb < 0.1 %) item no.: 1243984

Your advantages

- Safe use in the field, thanks to high degree of protection
- Connector for flexible on-site assembly
- Consistent EMC protection for reliable transmission of signals
- Solder connection: proven connection technology for various litz wires

Commercial data

Item number	1620047
Packing unit	1 pc
Minimum order quantity	1 pc
Note	Made to order (non-returnable)
Sales key	AB31
Product key	ABRAEG
Catalog page	Page 89 (C-2-2019)
GTIN	4046356819503
Weight per piece (including packing)	100.2 g
Weight per piece (excluding packing)	96 g
Customs tariff number	85366990
Country of origin	DE

CA-19P1N129007 - Coupler connector



1620047

<https://www.phoenixcontact.com/us/products/1620047>

Technical data

Product properties

Product type	Circular connector (cable-side)
--------------	---------------------------------

Connector

Insulating body

Coding	N
Insulation body material	PA 6.6
Contact material	CuZn
Contact surface material	Ni/Au
Insertion/withdrawal cycles	100
Connection method	Solder connection
Contact switching type	Pin
Application	Signal
Number of positions	19
Direction of rotation	Standard
Connection profile	16+3
Contact diameter Power contacts	1.5 mm
Litz wire cross-section Power contacts max.	1 mm ²
Rated current Power contacts	10 A
Rated voltage	48 V AC 74 V DC
Rated surge voltage	1.5 kV
Overvoltage category	III
Degree of pollution	3
Contact diameter Signal contacts	1 mm
Litz wire cross-section Signal contacts max.	1 mm ²
Nominal current per signal contact	8 A
Installation height	2000 m

Housing

Housing material	Turned parts: copper zinc alloy (CuZn), die-cast parts: zinc (GD-Zn)
Type of locking	for standard and SPEEDCON interlock
Pg screw connection	none
Degree of protection (plugged in)	IP67
Thread type	M23

Seal

External cable diameter	6 mm ... 10 mm
Seal material	NBR

CA-19P1N129007 - Coupler connector



1620047

<https://www.phoenixcontact.com/us/products/1620047>

Environmental and real-life conditions

Ambient conditions

Ambient temperature (operation)

-40 °C ... 125 °C

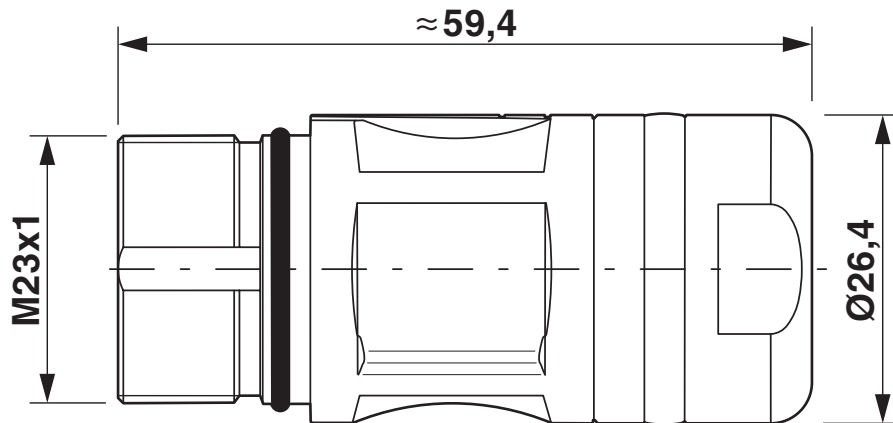
CA-19P1N129007 - Coupler connector

1620047

<https://www.phoenixcontact.com/us/products/1620047>

Drawings

Dimensional drawing



Technical drawings can be found under Downloads

CA-19P1N129007 - Coupler connector

1620047

<https://www.phoenixcontact.com/us/products/1620047>

Schematic diagram



Connector pin assignment

CA-19P1N129007 - Coupler connector





1620047

<https://www.phoenixcontact.com/us/products/1620047>

Approvals

To download certificates, visit the product detail page: <https://www.phoenixcontact.com/us/products/1620047>

 cUL Recognized Approval ID: E335019-20141210				
	Nominal voltage U_N	Nominal current I_N	Cross section AWG	Cross section mm^2
Power	48 V	6 A	- 18	-
Signal	48 V	5 A	- 18	-

 UL Recognized Approval ID: E335019-20141210				
	Nominal voltage U_N	Nominal current I_N	Cross section AWG	Cross section mm^2
Power	48 V	10 A	- 18	-
Signal	48 V	8 A	- 18	-

cULus Recognized				
-------------------------	--	--	--	--

CA-19P1N129007 - Coupler connector



1620047

<https://www.phoenixcontact.com/us/products/1620047>

Classifications

ECLASS

ECLASS-11.0	27440102
ECLASS-12.0	27440116
ECLASS-13.0	27440116

ETIM

ETIM 9.0	EC002635
----------	----------

UNSPSC

UNSPSC 21.0	39121400
-------------	----------

CA-19P1N129007 - Coupler connector



1620047

<https://www.phoenixcontact.com/us/products/1620047>

Environmental product compliance

REACH SVHC	Lead 7439-92-1
China RoHS	Environmentally Friendly Use Period = 50 years
	For information on hazardous substances, refer to the manufacturer's declaration available under "Downloads"

Phoenix Contact 2024 © - all rights reserved

<https://www.phoenixcontact.com>

Phoenix Contact USA
586 Fulling Mill Road
Middletown, PA 17057, United States
(+717) 944-1300
info@phoenixcon.com