

# CA-12P1N126L00 - Device connector front mounting



1624050

<https://www.phoenixcontact.com/us/products/1624050>

Please be informed that the data shown in this PDF document is generated from our online catalog. Please find the complete data in the user documentation. Our general terms of use for downloads are valid.



M23, Device connector front mounting, series: CA, straight, shielded: yes, for standard and SPEEDCON interlock, No. of pos.: 12, Direction of rotation: Standard, contact connection type: Pin, Solder connection, Axial seal, Central fastening M20 x 1.5, can be positioned via a locking nut, coding: N

## Your advantages

- Safe use in the field, thanks to high degree of protection
- Connector for flexible on-site assembly
- Consistent EMC protection for reliable transmission of signals
- Solder connection: proven connection technology for various litz wires

## Commercial data

Item number	1624050
Packing unit	1 pc
Minimum order quantity	1 pc
Sales key	AB31
Product key	ABRAEL
Catalog page	Page 98 (C-2-2019)
GTIN	4055626227719
Weight per piece (including packing)	42.2 g
Weight per piece (excluding packing)	42.2 g
Customs tariff number	85366990
Country of origin	DE

# CA-12P1N126L00 - Device connector front mounting



1624050

<https://www.phoenixcontact.com/us/products/1624050>

## Technical data

### Product properties

Product type	Circular connectors (device side)
--------------	-----------------------------------

### Material specifications

Flammability rating according to UL 94	V0
--	----

### Connector

#### Insulating body

Coding	N
Insulation body material	PBT
Contact material	CuZn
Contact surface material	Ni/Au
Insertion/withdrawal cycles	100
Connection method	Solder connection
Contact switching type	Pin
Application	Signal
Number of positions	12
Direction of rotation	Standard
Connection profile	12
Rated voltage	48 V AC 74 V DC
Rated surge voltage	1.5 kV
Overvoltage category	III
Degree of pollution	3
Contact diameter <b>Signal contacts</b>	1 mm
Litz wire cross-section <b>Signal contacts</b> max.	1 mm <sup>2</sup>
Nominal current per signal contact	8 A

#### Housing

Housing material	Turned parts: copper zinc alloy (CuZn), die-cast parts: zinc (GD-Zn)
Type of locking	for standard and SPEEDCON interlock
Pg screw connection	none
Degree of protection (plugged in)	IP67
Thread type	M23

### Environmental and real-life conditions

#### Ambient conditions

Ambient temperature (operation)	-40 °C ... 125 °C
---------------------------------	-------------------

# CA-12P1N126L00 - Device connector front mounting

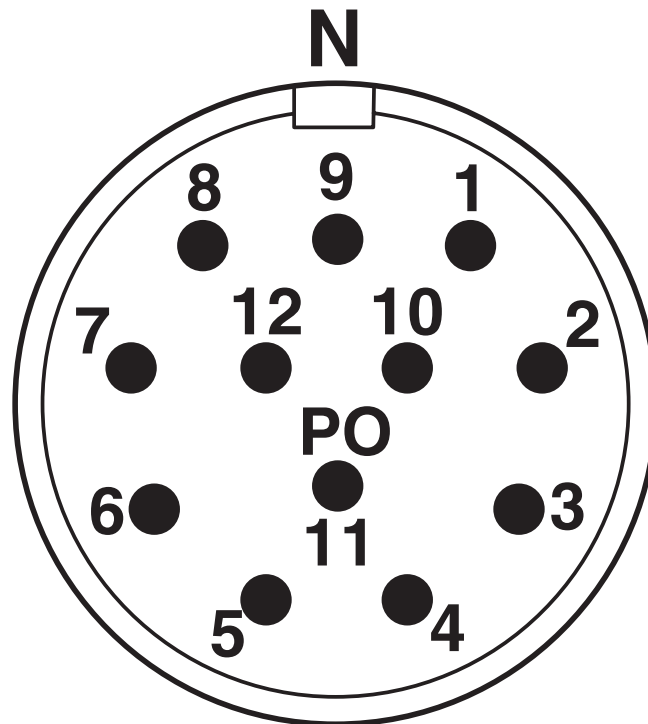


1624050

<https://www.phoenixcontact.com/us/products/1624050>

## Drawings

Schematic diagram



Connector pin assignment

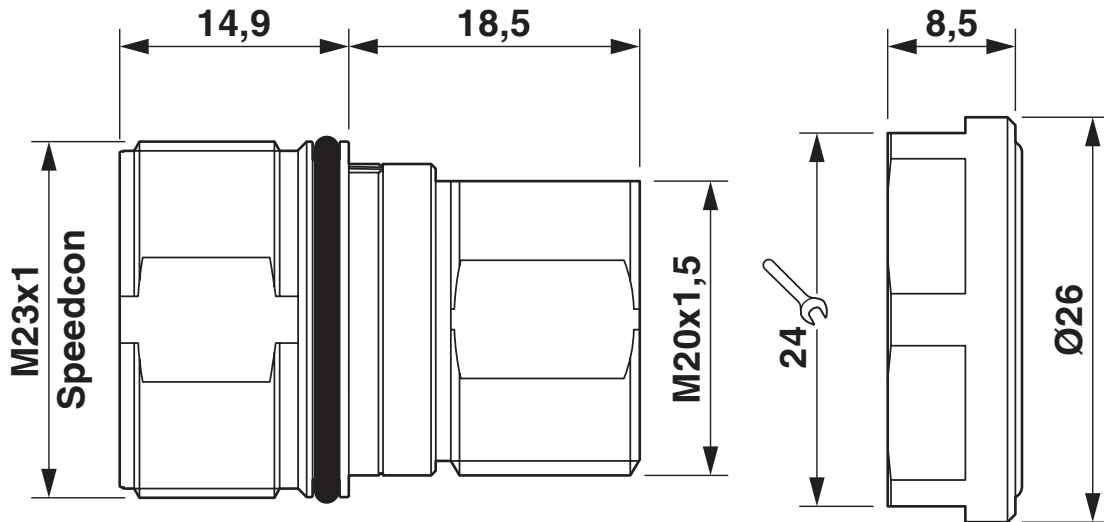
# CA-12P1N126L00 - Device connector front mounting



1624050

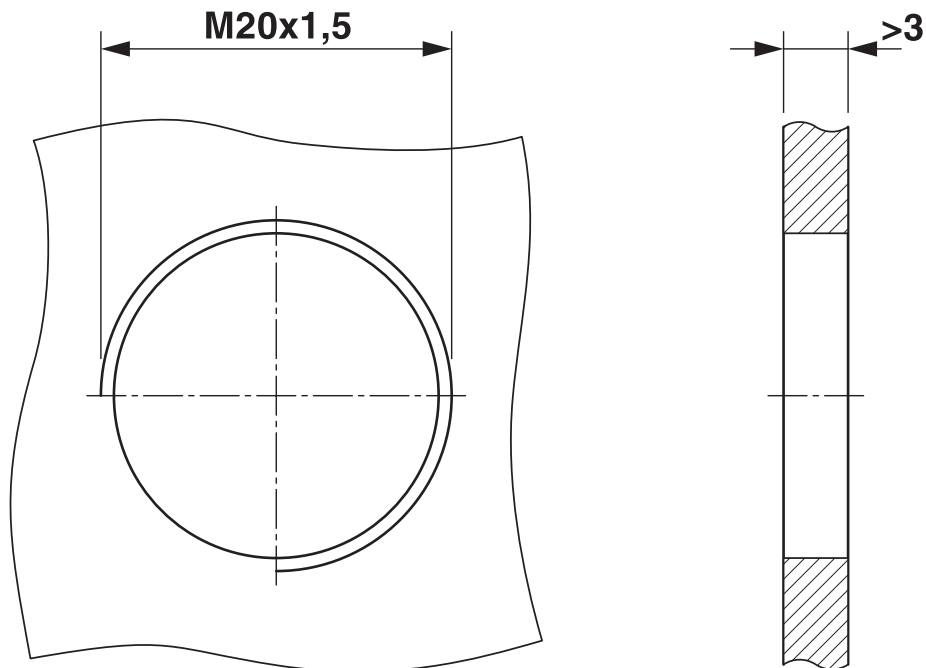
<https://www.phoenixcontact.com/us/products/1624050>

Dimensional drawing



Technical drawings can be found under Downloads

Dimensional drawing



Installation dimensions

# CA-12P1N126L00 - Device connector front mounting





1624050

<https://www.phoenixcontact.com/us/products/1624050>

## Approvals

To download certificates, visit the product detail page: <https://www.phoenixcontact.com/us/products/1624050>

 <b>cUL Recognized</b> Approval ID: E335019-20141210				
	Nominal voltage $U_N$	Nominal current $I_N$	Cross section AWG	Cross section $\text{mm}^2$
	48 V	6 A	- 18	-

 <b>UL Recognized</b> Approval ID: E335019-20141210				
	Nominal voltage $U_N$	Nominal current $I_N$	Cross section AWG	Cross section $\text{mm}^2$
	48 V	8 A	- 18	-

<b>cULus Recognized</b>				
-------------------------	--	--	--	--

# CA-12P1N126L00 - Device connector front mounting



1624050

<https://www.phoenixcontact.com/us/products/1624050>

## Classifications

### ECLASS

ECLASS-11.0	27440109
ECLASS-12.0	27440109
ECLASS-13.0	27440109

### ETIM

ETIM 9.0	EC003569
----------	----------

### UNSPSC

UNSPSC 21.0	39121400
-------------	----------

1624050

<https://www.phoenixcontact.com/us/products/1624050>

## Environmental product compliance

### EU RoHS

Fulfills EU RoHS substance requirements	Yes
Exemption	6(c)

### China RoHS

Environment friendly use period (EFUP)	EFUP-50
	An article-related China RoHS declaration table can be found in the download area for the respective article under "Manufacturer declaration". For all articles with EFUP-E, no China RoHS declaration table issued and required.

### EU REACH SVHC

REACH candidate substance (CAS No.)	Lead(CAS: 7439-92-1)
SCIP	e43364eb-1746-44db-a574-f2b783aa706d

1624050

<https://www.phoenixcontact.com/us/products/1624050>

## Accessories

### SF-Z0019 - Protective cap

1607449

<https://www.phoenixcontact.com/us/products/1607449>



Plastic protection cap, with eye, IP40 for connectors with M23 external thread, RF, SF series

---

### RC-Z2469 - Protective cap

1611797

<https://www.phoenixcontact.com/us/products/1611797>



Plastic protection cap, antistatic, for RF, SF, CA, RC series connectors, with M23 external thread

# CA-12P1N126L00 - Device connector front mounting



1624050

<https://www.phoenixcontact.com/us/products/1624050>

## RC-Z2104 - Metal protective cap

1604260

<https://www.phoenixcontact.com/us/products/1604260>



Metal protective cap, M23, degree of protection: IP67, series: RC, UC, RF, SF, NC, RM, Alternative product in accordance with RoHS II without Exemption 6c (Pb < 0.1 %) item no.: 1241739

---

## RC-Z2068 - Metal protective cap

1604236

<https://www.phoenixcontact.com/us/products/1604236>



Metal protective cap, M23, degree of protection: IP67, series: RC, UC, RF, SF, NC, RM, Alternative product in accordance with RoHS II without Exemption 6c (Pb < 0.1 %) item no.: 1241735

# CA-12P1N126L00 - Device connector front mounting



1624050

<https://www.phoenixcontact.com/us/products/1624050>

## CA-Z0001 - Contact removal tool

1620699

<https://www.phoenixcontact.com/us/products/1620699>



Unlocking tool for contact carriers for snapping in the M23 signal device connectors

---

## RF-Z0017 - Color coding

1620624

<https://www.phoenixcontact.com/us/products/1620624>

Color coding, color: green



# CA-12P1N126L00 - Device connector front mounting



1624050

<https://www.phoenixcontact.com/us/products/1624050>

## RF-Z0018 - Color coding

1620625

<https://www.phoenixcontact.com/us/products/1620625>

Color coding, color: orange



---

## RF-Z0019 - Color coding

1620626

<https://www.phoenixcontact.com/us/products/1620626>

Color coding, color: anthracite



# CA-12P1N126L00 - Device connector front mounting



1624050

<https://www.phoenixcontact.com/us/products/1624050>

## PROT-M23PRO-OT-IP20 - Plastic protective cap

1055753

<https://www.phoenixcontact.com/us/products/1055753>

Plastic protective cap, M23, degree of protection: IP20, series: M23 PRO



---

Phoenix Contact 2024 © - all rights reserved

<https://www.phoenixcontact.com>

Phoenix Contact USA  
586 Fulling Mill Road  
Middletown, PA 17057, United States  
(+717) 944-1300  
[info@phoenixcon.com](mailto:info@phoenixcon.com)