

CA-19S1N126L00 - Device connector front mounting



1624058

<https://www.phoenixcontact.com/us/products/1624058>

Please be informed that the data shown in this PDF document is generated from our online catalog. Please find the complete data in the user documentation. Our general terms of use for downloads are valid.



M23, Device connector front mounting, series: CA, straight, shielded: yes, for standard and SPEEDCON interlock, No. of pos.: 16+3, Direction of rotation: Standard, contact connection type: Socket, Solder connection, Axial seal, Central fastening M20 x 1.5, can be positioned via a locking nut, coding: N

Your advantages

- Safe use in the field, thanks to high degree of protection
- Connector for flexible on-site assembly
- Consistent EMC protection for reliable transmission of signals
- Solder connection: proven connection technology for various litz wires

Commercial data

Item number	1624058
Packing unit	1 pc
Minimum order quantity	1 pc
Note	Made to order (non-returnable)
Sales key	AB31
Product key	ABRAEL
Catalog page	Page 99 (C-2-2019)
GTIN	4055626227139
Weight per piece (including packing)	35.5 g
Weight per piece (excluding packing)	35.5 g
Customs tariff number	85366990
Country of origin	DE

1624058

<https://www.phoenixcontact.com/us/products/1624058>

Technical data

Product properties

Product type	Circular connectors (device side)
--------------	-----------------------------------

Material specifications

Flammability rating according to UL 94	V0
--	----

Connector

Insulating body

Coding	N
Insulation body material	PA 6.6
Contact material	CuZn
Contact surface material	Ni/Au
Insertion/withdrawal cycles	100
Connection method	Solder connection
Contact switching type	Socket
Application	Signal
Number of positions	19
Direction of rotation	Standard
Connection profile	16+3
Contact diameter Power contacts	1.5 mm
Litz wire cross-section Power contacts max.	1 mm ²
Rated current Power contacts	10 A
Rated voltage	48 V AC 74 V DC
Rated surge voltage	1.5 kV
Overvoltage category	III
Degree of pollution	3
Contact diameter Signal contacts	1 mm
Litz wire cross-section Signal contacts max.	1 mm ²
Nominal current per signal contact	8 A

Housing

Housing material	Turned parts: copper zinc alloy (CuZn), die-cast parts: zinc (GD-Zn)
Type of locking	for standard and SPEEDCON interlock
Pg screw connection	none
Degree of protection (plugged in)	IP67
Thread type	M23

CA-19S1N126L00 - Device connector front mounting

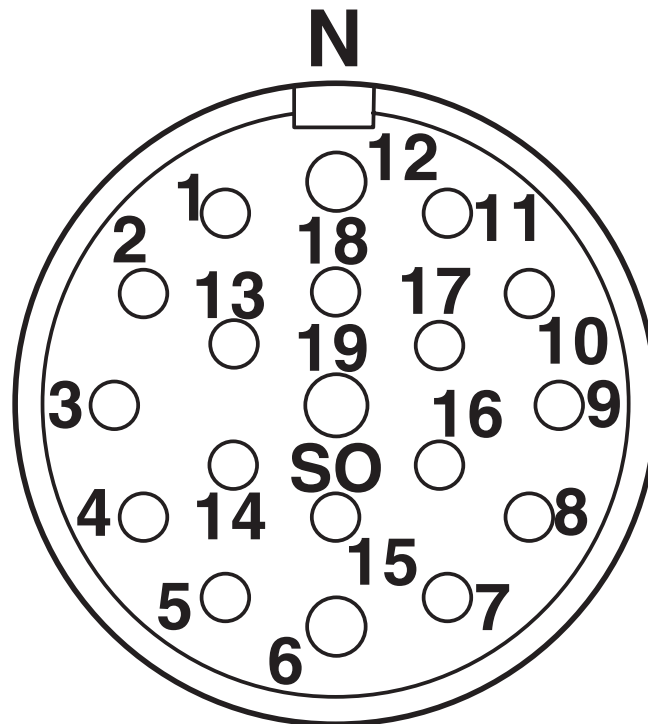


1624058

<https://www.phoenixcontact.com/us/products/1624058>

Drawings

Schematic diagram



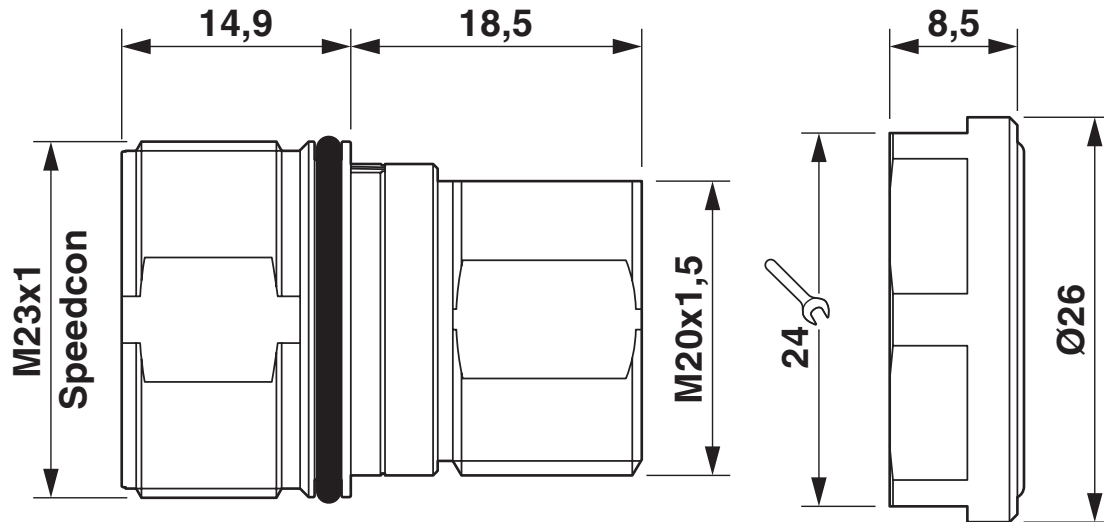
Connector pin assignment

CA-19S1N126L00 - Device connector front mounting

1624058

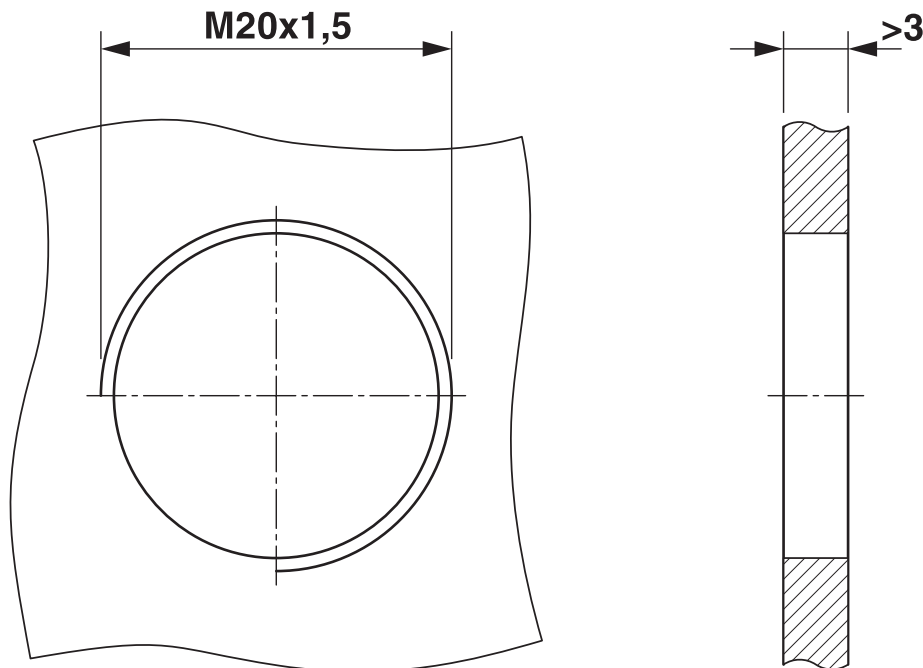
<https://www.phoenixcontact.com/us/products/1624058>

Dimensional drawing



Technical drawings can be found under Downloads

Dimensional drawing



Installation dimensions

CA-19S1N126L00 - Device connector front mounting





1624058

<https://www.phoenixcontact.com/us/products/1624058>

Approvals

To download certificates, visit the product detail page: <https://www.phoenixcontact.com/us/products/1624058>

 cUL Recognized Approval ID: E335019-20141210				
	Nominal voltage U_N	Nominal current I_N	Cross section AWG	Cross section mm^2
Power	48 V	6 A	- 18	-
Signal	48 V	5 A	- 18	-

 UL Recognized Approval ID: E335019-20141210				
	Nominal voltage U_N	Nominal current I_N	Cross section AWG	Cross section mm^2
Power	48 V	10 A	- 18	-
Signal	48 V	8 A	- 18	-

cULus Recognized				
-------------------------	--	--	--	--

CA-19S1N126L00 - Device connector front mounting



1624058

<https://www.phoenixcontact.com/us/products/1624058>

Classifications

ECLASS

ECLASS-11.0	27440109
ECLASS-12.0	27440109
ECLASS-13.0	27440109

ETIM

ETIM 9.0	EC003569
----------	----------

UNSPSC

UNSPSC 21.0	39121400
-------------	----------

1624058

<https://www.phoenixcontact.com/us/products/1624058>

Environmental product compliance

EU RoHS

Fulfills EU RoHS substance requirements	Yes
Exemption	6(c)

China RoHS

Environment friendly use period (EFUP)	EFUP-50
	An article-related China RoHS declaration table can be found in the download area for the respective article under "Manufacturer declaration". For all articles with EFUP-E, no China RoHS declaration table issued and required.

EU REACH SVHC

REACH candidate substance (CAS No.)	Lead(CAS: 7439-92-1)
SCIP	86336fe5-9a34-4542-86d3-7e2b89e8d03e

1624058

<https://www.phoenixcontact.com/us/products/1624058>

Accessories

SF-Z0019 - Protective cap

1607449

<https://www.phoenixcontact.com/us/products/1607449>



Plastic protection cap, with eye, IP40 for connectors with M23 external thread, RF, SF series

RC-Z2469 - Protective cap

1611797

<https://www.phoenixcontact.com/us/products/1611797>



Plastic protection cap, antistatic, for RF, SF, CA, RC series connectors, with M23 external thread

CA-19S1N126L00 - Device connector front mounting



1624058

<https://www.phoenixcontact.com/us/products/1624058>

RC-Z2104 - Metal protective cap

1604260

<https://www.phoenixcontact.com/us/products/1604260>



Metal protective cap, M23, degree of protection: IP67, series: RC, UC, RF, SF, NC, RM, Alternative product in accordance with RoHS II without Exemption 6c (Pb < 0.1 %) item no.: 1241739

RC-Z2068 - Metal protective cap

1604236

<https://www.phoenixcontact.com/us/products/1604236>



Metal protective cap, M23, degree of protection: IP67, series: RC, UC, RF, SF, NC, RM, Alternative product in accordance with RoHS II without Exemption 6c (Pb < 0.1 %) item no.: 1241735

CA-19S1N126L00 - Device connector front mounting



1624058

<https://www.phoenixcontact.com/us/products/1624058>

CA-Z0001 - Contact removal tool

1620699

<https://www.phoenixcontact.com/us/products/1620699>



Unlocking tool for contact carriers for snapping in the M23 signal device connectors

RF-Z0017 - Color coding

1620624

<https://www.phoenixcontact.com/us/products/1620624>

Color coding, color: green



CA-19S1N126L00 - Device connector front mounting



1624058

<https://www.phoenixcontact.com/us/products/1624058>

RF-Z0018 - Color coding

1620625

<https://www.phoenixcontact.com/us/products/1620625>

Color coding, color: orange



RF-Z0019 - Color coding

1620626

<https://www.phoenixcontact.com/us/products/1620626>

Color coding, color: anthracite



CA-19S1N126L00 - Device connector front mounting



1624058

<https://www.phoenixcontact.com/us/products/1624058>

PROT-M23PRO-OT-IP20 - Plastic protective cap

1055753

<https://www.phoenixcontact.com/us/products/1055753>

Plastic protective cap, M23, degree of protection: IP20, series: M23 PRO



Phoenix Contact 2024 © - all rights reserved

<https://www.phoenixcontact.com>

Phoenix Contact USA
586 Fulling Mill Road
Middletown, PA 17057, United States
(+717) 944-1300
info@phoenixcon.com