

# Q 1,5/3A50/13-M20KU-ESA - Panel feed-through



1640731

<https://www.phoenixcontact.com/us/products/1640731>

Please be informed that the data shown in this PDF document is generated from our online catalog. Please find the complete data in the user documentation. Our general terms of use for downloads are valid.

QUICKON panel feed-through, for the front wall assembly with 50 cm long wires, 3-pos.



## Your advantages

- Robust throughout: housing with IP65/IP67 protection for a wide range of applications

## Commercial data

Item number	1640731
Packing unit	10 pc
Minimum order quantity	10 pc
Sales key	BF50
Product key	BF6HAB
Catalog page	Page 19 (PC-2002)
GTIN	4017918177447
Weight per piece (including packing)	56.56 g
Weight per piece (excluding packing)	56.35 g
Customs tariff number	85366990
Country of origin	PL

# Q 1,5/3A50/13-M20KU-ESA - Panel feed-through



1640731

<https://www.phoenixcontact.com/us/products/1640731>

## Technical data

### Product properties

Product type	Panel feed-through
Number of positions	3
Position marking	1, 2, 3
Number of connections	3
Number of connections per position	1
Shielded	no

### Insulation characteristics

Overvoltage category	III
Degree of pollution	3

### Connection data

#### Connection technology

Connection method On the device side	Single wires
Frequency of connections between conductors of the same cross section	10 (if the conductor is connected more than once, seal and cap may need to be replaced.)

#### Conductor connection

Conductor cross section flexibel	0.75 mm <sup>2</sup> ... 1.5 mm <sup>2</sup>
Conductor cross section solid	0.75 mm <sup>2</sup> ... 1 mm <sup>2</sup>
Connection cross section AWG	18 ... 16
Tightening torque Union nut	2.5 Nm
Tightening torque Contact carrier	3.75 Nm
Tightening torque Locking nut	3.75 Nm
Wrench size Union nut	24 mm
Wrench size Contact carrier	24 mm

#### Pin assignment

Contact   Color (signal designation)   Contact (optional)	1   BN
	2   WH
	3   BU

### Dimensions

Dimensional drawing	
---------------------	--

# Q 1,5/3A50/13-M20KU-ESA - Panel feed-through



1640731

<https://www.phoenixcontact.com/us/products/1640731>

Width	24 mm
Height	24 mm
Length	42.7 mm

## Electrical properties

Rated surge voltage (III/3)	6 kV
Contact resistance	< 3 mΩ
rated voltage (II/2)	630 V (with insulating sleeve)
rated voltage (III/2)	320 V (with insulating sleeve)
Rated voltage (III/3)	250 V (with insulating sleeve)
Nominal voltage $U_N$	250 V AC
	250 V DC
Nominal current $I_N$	17.5 A

## Material specifications

Color (Housing)	green (RAL 6021)
Material Housing	PA
Flammability rating according to UL 94	V0
Material wire insulation	PVC / PE
Contact material	Copper alloy
Contact surface material	Pre-nickel plated and tin-plated
Contact carrier material	PA 6.6

## Cable/line

Cable length	0.5 m
Structure of individual litz in acc. with VDE 0295 / smallest wire diameter	VDE 0295 Cl.2-5, min. wire diameter 0.2 mm
Wire diameter including insulation	>= 3 mm
Position marking	1, 2, 3
Cable cross section	1.5 mm <sup>2</sup>

## Mounting

Mounting type	Front mounting M20
Assembly instructions	If the conductor is reconnected, it must be cut off above the last contact point. QUICKON components may only be operated when under no load.

## Environmental and real-life conditions

### Ambient conditions

Degree of protection	IP65
	IP67
Ambient temperature (operation)	-25 °C ... 80 °C (Specifications of the cable manufacturer must be observed.)
	-25 °C ... 50 °C (when the conductor is connected. Specifications of the cable manufacturer must also be observed.)
Temperature when conductor connected	-5 °C ... 50 °C

# Q 1,5/3A50/13-M20KU-ESA - Panel feed-through

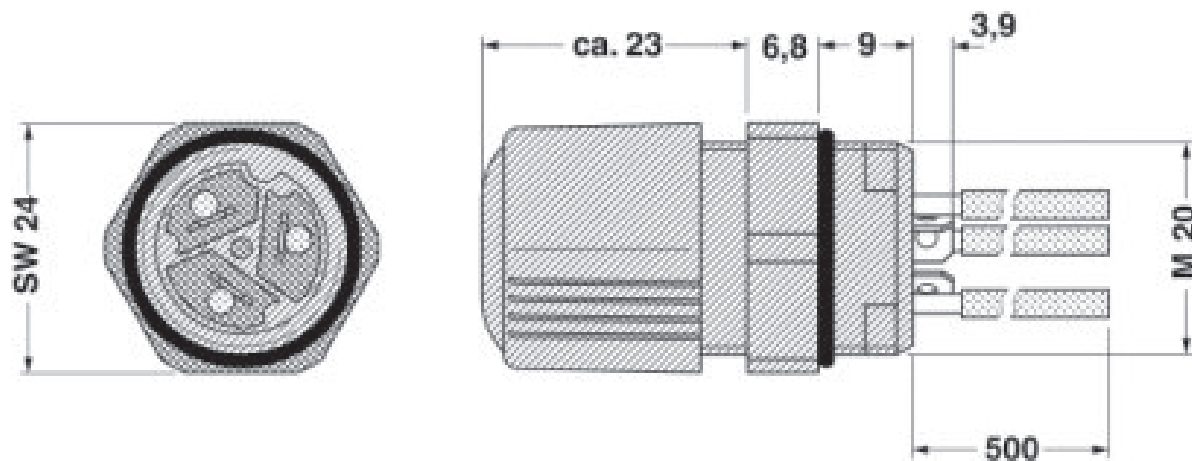


1640731

<https://www.phoenixcontact.com/us/products/1640731>

## Drawings

### Dimensional drawing



# Q 1,5/3A50/13-M20KU-ESA - Panel feed-through





1640731


<https://www.phoenixcontact.com/us/products/1640731>


## Approvals

To download certificates, visit the product detail page: <https://www.phoenixcontact.com/us/products/1640731>

 <b>cUL Recognized</b> Approval ID: FILE E 118976				
	Nominal voltage $U_N$	Nominal current $I_N$	Cross section AWG	Cross section $\text{mm}^2$
	250 V	11 A	-	-

 <b>UL Recognized</b> Approval ID: FILE E 118976				
	Nominal voltage $U_N$	Nominal current $I_N$	Cross section AWG	Cross section $\text{mm}^2$
	250 V	15 A	-	-

 <b>EAC</b> Approval ID: RU C-DE.BL08.B.00511				
--	--	--	--	--

 <b>VDE Zeichengenehmigung</b> Approval ID: 40032336				
	Nominal voltage $U_N$	Nominal current $I_N$	Cross section AWG	Cross section $\text{mm}^2$
	500 V	-	-	0.75 - 1.5

<b>cULus Recognized</b>				
-------------------------	--	--	--	--

# Q 1,5/3A50/13-M20KU-ESA - Panel feed-through



1640731

<https://www.phoenixcontact.com/us/products/1640731>

## Classifications

### ECLASS

ECLASS-11.0	27440602
ECLASS-13.0	27440602
ECLASS-12.0	27440602

### ETIM

ETIM 9.0	EC002566
----------	----------

### UNSPSC

UNSPSC 21.0	39121500
-------------	----------

# Q 1,5/3A50/13-M20KU-ESA - Panel feed-through



1640731

<https://www.phoenixcontact.com/us/products/1640731>

## Environmental product compliance

### EU RoHS

Fulfills EU RoHS substance requirements	Yes, No exemptions
---	--------------------

### China RoHS

Environment friendly use period (EFUP)	EFUP-E
	No hazardous substances above the limits

### EU REACH SVHC

REACH candidate substance (CAS No.)	No substance above 0.1 wt%
-------------------------------------	----------------------------

# Q 1,5/3A50/13-M20KU-ESA - Panel feed-through



1640731

<https://www.phoenixcontact.com/us/products/1640731>

## Accessories

### Q-SMU PG13,5 SET COD2 - Lock nut

1670963

<https://www.phoenixcontact.com/us/products/1670963>

Locking nut, can only be released with Allen wrench, coding 2



---

### Q-MU M20 - Nut

1640702

<https://www.phoenixcontact.com/us/products/1640702>

Nut (plastic) to lock the contact carrier from the inside of the device



## Q 1,5/3A50/13-M20KU-ESA - Panel feed-through



1640731

<https://www.phoenixcontact.com/us/products/1640731>

### Q-PROT13/16 - Filler plug

1670222

<https://www.phoenixcontact.com/us/products/1670222>

Closing caps, for Pg13/ Pg16, for closing unoccupied connections



---

### PT/FS 4,8 - Insulating sleeve

1670497

<https://www.phoenixcontact.com/us/products/1670497>

Insulating sleeve, as touch protection, for 4.8 mm slip-on sleeves, slide onto the conductor before



# Q 1,5/3A50/13-M20KU-ESA - Panel feed-through



1640731

<https://www.phoenixcontact.com/us/products/1640731>

## QSS 24 - Socket wrench

1670219

<https://www.phoenixcontact.com/us/products/1670219>



Allen wrench, for loosening and fastening the QUICKON union nut, WAF 24 mm

---

## MICROFOX-SB - Diagonal cutter

1212489

<https://www.phoenixcontact.com/us/products/1212489>



Electronic diagonal cutter, round head, without chamfer, with opening spring, mirror-polished and oiled, 2-component grip, cutting capacity: soft 0.2 - 2.0 mm; medium hard 1.2 mm; hard 0.5 mm diameter

---

Phoenix Contact 2024 © - all rights reserved  
<https://www.phoenixcontact.com>

Phoenix Contact USA  
586 Fulling Mill Road  
Middletown, PA 17057, United States  
(+717) 944-1300  
[info@phoenixcon.com](mailto:info@phoenixcon.com)