

HC-B 10-SMQ-74/O2M32 - Housing



1645820

<https://www.phoenixcontact.com/us/products/1645820>

Please be informed that the data shown in this PDF document is generated from our online catalog. Please find the complete data in the user documentation. Our general terms of use for downloads are valid.



HEAVYCON box mounting base B10, with double locking latch, height 74 mm, with support 2xM32

Commercial data

Item number	1645820
Packing unit	1 pc
Note	Made to order (non-returnable)
Sales key	BF55
Product key	BF7AAC
Catalog page	Page 500 (C-4-2013)
GTIN	4017918985080
Weight per piece (including packing)	316.48 g
Weight per piece (excluding packing)	316.48 g
Customs tariff number	85369010
Country of origin	DE

HC-B 10-SMQ-74/O2M32 - Housing

1645820

<https://www.phoenixcontact.com/us/products/1645820>

Technical data

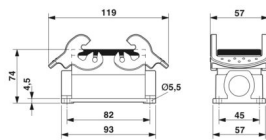
Notes

General	For contact inserts HC-B10, BB18, DD42, M, K8/24
---------	--

Product properties

Product type	Housing with locking latch
Housing type	Box mounting bases
Application	Standard
Type	B10
No. of cable outlets	2
Type of the screw connection	2x M32
Shielded	no
Cable outlet	lateral
Pg screw connection	none

Dimensions

Dimensional drawing	
Width	57 mm
Height	74 mm
Length	93 mm

Material specifications

Seal material	NBR
Housing material	die-cast aluminum
Housing surface material	Powder-coated, gray
Locking latch material	Stainless steel, handle: PA

Mechanical properties

Mechanical data

Type of the screw connection	2x M32
Locking type	Latch

Environmental and real-life conditions

Ambient conditions

Degree of protection	IP65
Ambient temperature (operation)	-40 °C ... 125 °C

HC-B 10-SMQ-74/O2M32 - Housing

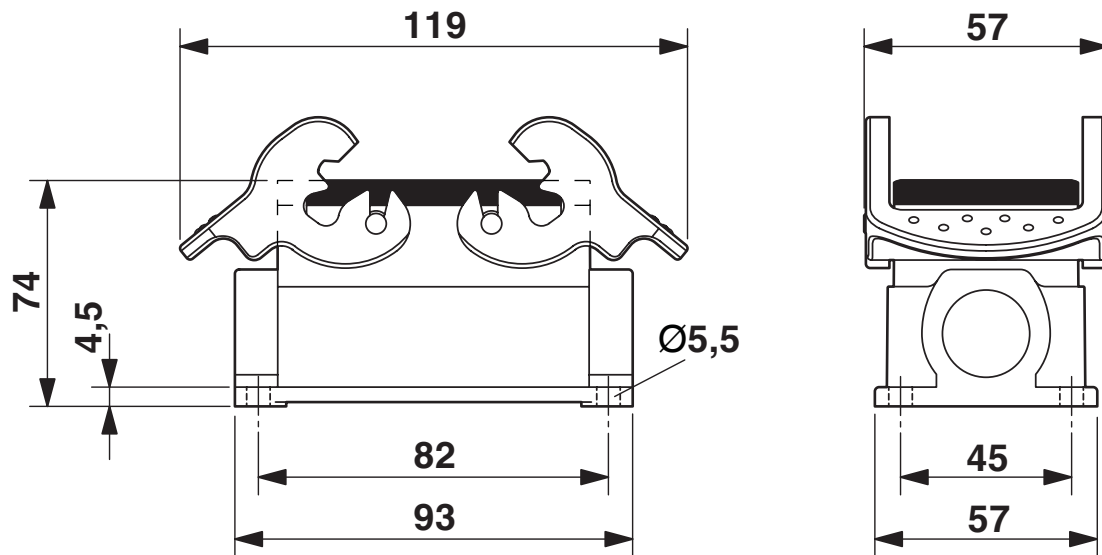
1645820

<https://www.phoenixcontact.com/us/products/1645820>



Drawings

Dimensional drawing



Dimensional drawing

HC-B 10-SMQ-74/O2M32 - Housing



1645820

<https://www.phoenixcontact.com/us/products/1645820>

Classifications

ECLASS

ECLASS-11.0	27440202
ECLASS-13.0	27440202

UNSPSC

UNSPSC 21.0	31261501
-------------	----------

HC-B 10-SMQ-74/O2M32 - Housing



1645820

<https://www.phoenixcontact.com/us/products/1645820>

Environmental product compliance

EU RoHS

Fulfills EU RoHS substance requirements	Yes, No exemptions
---	--------------------

China RoHS

Environment friendly use period (EFUP)	EFUP-E
	No hazardous substances above the limits

EU REACH SVHC

REACH candidate substance (CAS No.)	No substance above 0.1 wt%
-------------------------------------	----------------------------

HC-B 10-SMQ-74/O2M32 - Housing

1645820

<https://www.phoenixcontact.com/us/products/1645820>

Accessories

G-INS-M32-M68N-PNES-GY - Cable gland

1411127

<https://www.phoenixcontact.com/us/products/1411127>



Cable gland, material for screw connection: PA, application: Standard, external cable diameter 15 mm ... 21 mm, shielding: no, connecting thread: M32 x 1.5, color: silver-grey RAL 7001

G-INS-M32-M68N-PNES-BK - Cable gland

1411136

<https://www.phoenixcontact.com/us/products/1411136>



Cable gland, material for screw connection: PA, application: Standard, external cable diameter 15 mm ... 21 mm, shielding: no, connecting thread: M32 x 1.5, color: jet black RAL 9005

HC-B 10-SMQ-74/O2M32 - Housing

1645820

<https://www.phoenixcontact.com/us/products/1645820>



G-INS-M32-M68N-NNES-S - Cable gland

1411166

<https://www.phoenixcontact.com/us/products/1411166>



Cable gland, material for screw connection: Brass, nickel-plated, application: Standard, external cable diameter 15 mm ... 21 mm, shielding: no, connecting thread: M32 x 1.5, color: silver, with O-ring

HC-M-KV-M32(19-27) - Cable gland

1646010

<https://www.phoenixcontact.com/us/products/1646010>



Metal screw connection up to 5 bar, thread length: 8 mm, cable diameter: 19 - 27 mm, WAF 43, screw connection: M32

HC-B 10-SMQ-74/O2M32 - Housing

1645820

<https://www.phoenixcontact.com/us/products/1645820>

G-INSEC-M32-M68N-NCRS-S - Cable gland

1411191

<https://www.phoenixcontact.com/us/products/1411191>



Cable gland, material for screw connection: Brass, nickel-plated, application: EMC, external cable diameter 14 mm ... 21 mm, shielding: yes, connecting thread: M32 x 1.5, color: silver, with O-ring

HC-M-KV-Z-M32 - Cable gland

1646162

<https://www.phoenixcontact.com/us/products/1646162>



Metal screw connection with strain relief clamp, thread length: 8 mm, cable sealing area: 18 - 27 mm, clamping area: 19 - 30 mm, SW 40, screw connection: M32

HC-B 10-SMQ-74/O2M32 - Housing

1645820

<https://www.phoenixcontact.com/us/products/1645820>



HC-M-KV-T-M32 - Cable gland

1646201

<https://www.phoenixcontact.com/us/products/1646201>

Metal screw connection with cable bend protection and strain relief, thread length: 8 mm, cable sealing area: 18 - 27 mm, clamping area: 20 - 30 mm, SW 40, screw connection: M32



REDUC-M-KV-M32/M25 - Reducing adapter

1647637

<https://www.phoenixcontact.com/us/products/1647637>

Reducing adapter, connecting thread: M32 x 1.5, color: silver, with O-ring



HC-B 10-SMQ-74/O2M32 - Housing

1645820

<https://www.phoenixcontact.com/us/products/1645820>



ENLAR-M-KV-M32/M40 - Extension adapter

1647682

<https://www.phoenixcontact.com/us/products/1647682>

Extension adapter, connecting thread: M32 x 1.5, color: silver, with O-ring



HC-M-BS-M32 - Screw plug

1645862

<https://www.phoenixcontact.com/us/products/1645862>

Screw plug, material for screw connection: Brass, nickel-plated, connecting thread: M32 x 1.5, color: silver



Phoenix Contact 2024 © - all rights reserved
<https://www.phoenixcontact.com>

Phoenix Contact USA
586 Fulling Mill Road
Middletown, PA 17057, United States
(+717) 944-1300
info@phoenixcon.com