

SACC-M12FR-5CON-PG 7 - Connector



1662308

<https://www.phoenixcontact.com/no/products/1662308>

Please be informed that the data shown in this PDF document is generated from our online catalog. Please find the complete data in the user documentation. Our general terms of use for downloads are valid.

Connector, Universal, 5-position, Socket angled M12, coding: A, Screw connection, knurl material: Plastic, cable gland Pg7, external cable diameter 4 mm ... 6 mm



Your advantages

- Safe use in the field, thanks to a high degree of protection
- Screw connection: proven connection technology for a large selection of different conductors

Commercial data

Item number	1662308
Packing unit	1 pc
Minimum order quantity	1 pc
Sales key	31BBFS
Product key	BF2CAA
Catalog page	Page 22 (C-2-2019)
GTIN	4017918100476
Weight per piece (including packing)	16.89 g
Weight per piece (excluding packing)	15.6 g
Customs tariff number	85366990
Country of origin	DE

SACC-M12FR-5CON-PG 7 - Connector



1662308

<https://www.phoenixcontact.com/no/products/1662308>

Technical data

Notes

General	NOTE: Observe the permissible bending radii when laying conductors, since the degree of protection may be put in jeopardy if the bending forces are too high. Alleviate mechanical loads upstream of the connector, e.g. by using cable ties.
---------	--

Mounting

Assembly instructions	The connector pin assignment can be rotated 90° to the cable outlet
-----------------------	---

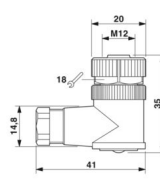
Product properties

Product type	Circular connector (cable-side)
Sensor type	Universal
Number of positions	5
No. of cable outlets	1
Shielded	no
Coding	A A
Cable outlet	angled
Pg screw connection	Pg7

Insulation characteristics

Overvoltage category	II
Degree of pollution	3

Dimensions

Dimensional drawing	
Length	35 mm

External dimensions

Outside diameter	4 mm ... 6 mm
------------------	---------------

Housing

Diameter housing	20 mm
------------------	-------

Material specifications

Flammability rating according to UL 94	HB
Seal material	NBR
Material of grip body	PA

SACC-M12FR-5CON-PG 7 - Connector



1662308

<https://www.phoenixcontact.com/no/products/1662308>

Contact material	CuZn
Contact surface material	CuSnZn
Contact carrier material	PA
Material for screw connection	Plastic

Connection data

Conductor connection

Connection method	Screw connection
Connection cross section	0.25 mm ² ... 0.75 mm ² (without ferrule)
	0.14 mm ² ... 0.75 mm ² (with ferrule)
	0.25 mm ² ... 0.75 mm ² (solid)
Connection cross section AWG	24 ... 18 (without ferrule)
	26 ... 20 (with ferrule)
Stripping length of the individual wire	5 mm
Tightening torque	0.4 Nm (M12 knurl)
	0.2 Nm (Screw terminal blocks)
	0.8 Nm ... 1 Nm (Pressure screw)

Electrical properties

Rated surge voltage	1.5 kV
Contact resistance	≤ 8 mΩ
Insulation resistance	≥ 100 MΩ
Nominal voltage U _N	48 V AC
	60 V DC
Nominal current I _N	4 A

Mechanical properties

Mechanical data

Insertion/withdrawal cycles	≥ 50
-----------------------------	------

Connector

Connection 1

Head design	Socket
Head cable outlet	angled
Head thread type	M12
Coding	A

Cable/line

Signal type/category	Universal
Stripping length of the individual wire	5 mm

Environmental and real-life conditions

Ambient conditions

SACC-M12FR-5CON-PG 7 - Connector



1662308

<https://www.phoenixcontact.com/no/products/1662308>

Degree of protection	IP67
Ambient temperature (operation)	-40 °C ... 85 °C (Plug / socket)

Standards and regulations

M12

Standard designation	M12 connector
Standards/specifications	IEC 61076-2-101

SACC-M12FR-5CON-PG 7 - Connector

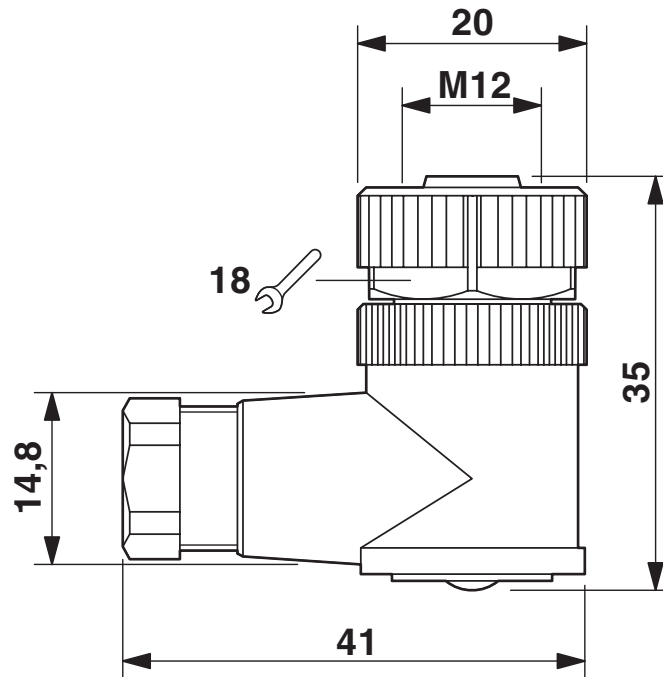
1662308

<https://www.phoenixcontact.com/no/products/1662308>



Drawings

Dimensional drawing



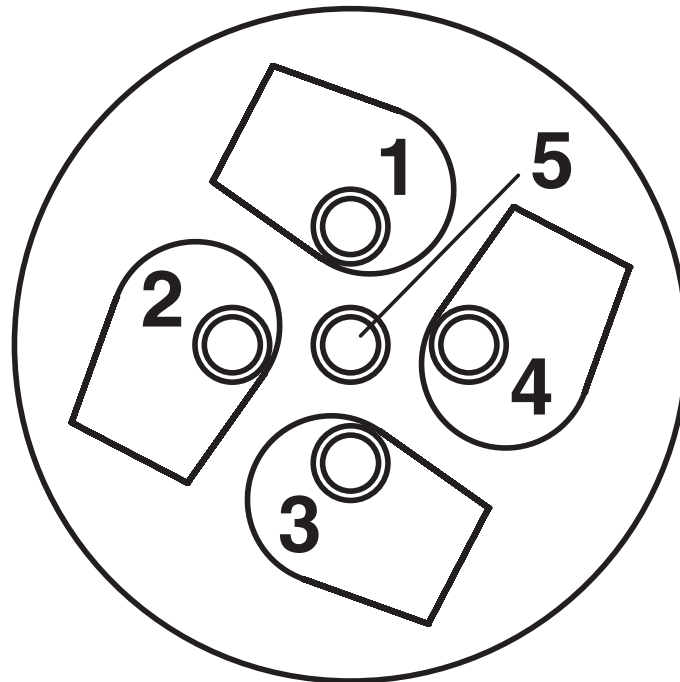
M12 x 1 socket, angled

SACC-M12FR-5CON-PG 7 - Connector

1662308

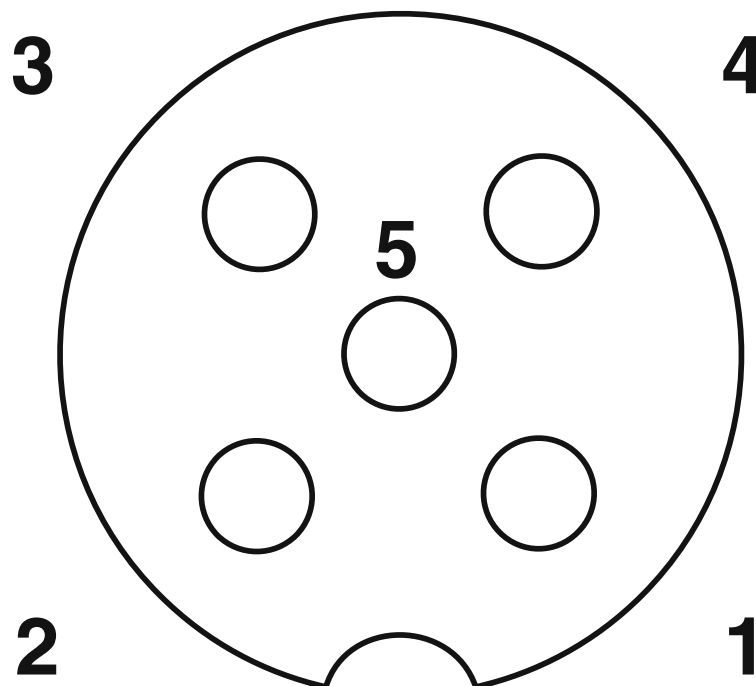
<https://www.phoenixcontact.com/no/products/1662308>

Schematic diagram



Cable connection side M12 (screw connection)

Schematic diagram



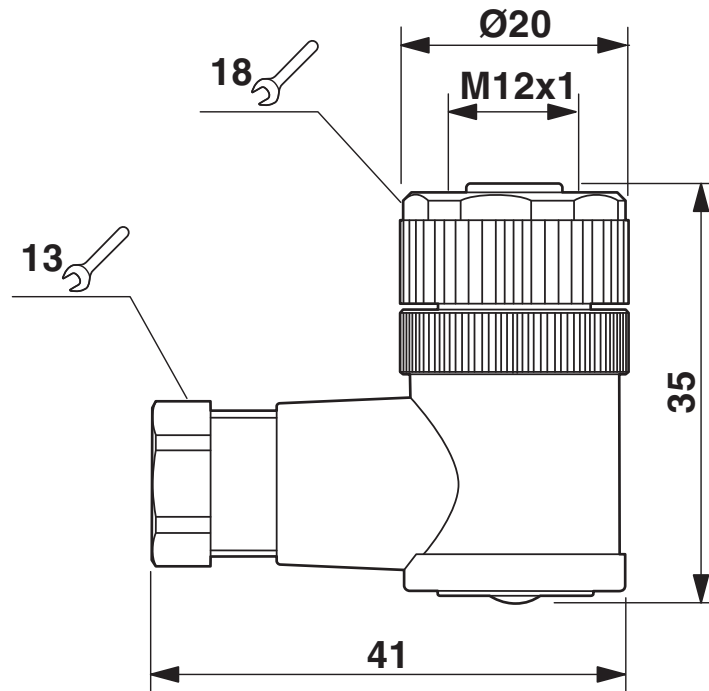
Pin assignment M12 socket, 5-pos., A-coded, socket side view

SACC-M12FR-5CON-PG 7 - Connector

1662308

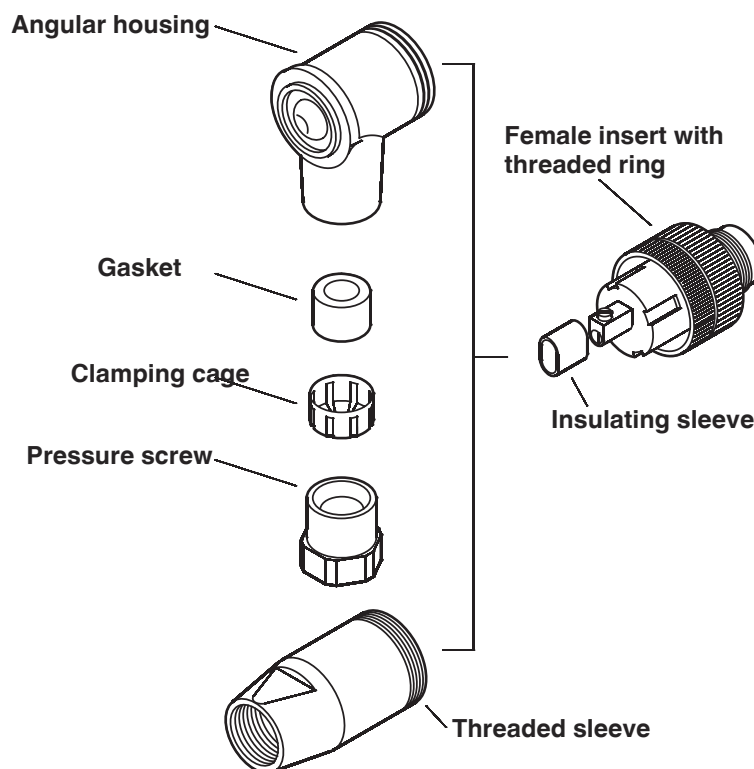
<https://www.phoenixcontact.com/no/products/1662308>

Dimensional drawing



M12 x 1 socket, angled

Schematic diagram



Male/Female M12

SACC-M12FR-5CON-PG 7 - Connector





1662308

<https://www.phoenixcontact.com/no/products/1662308>

Approvals

To download certificates, visit the product detail page: <https://www.phoenixcontact.com/no/products/1662308>

 cUL Recognized Approval ID: FILE E 221474				
	Nominal voltage U_N	Nominal current I_N	Cross section AWG	Cross section mm^2
	60 V	4 A	-	-

 UL Recognized Approval ID: FILE E 221474				
	Nominal voltage U_N	Nominal current I_N	Cross section AWG	Cross section mm^2
	60 V	4 A	-	-

cULus Recognized				
-------------------------	--	--	--	--

SACC-M12FR-5CON-PG 7 - Connector



1662308

<https://www.phoenixcontact.com/no/products/1662308>

Classifications

ECLASS

ECLASS-11.0	27440102
ECLASS-12.0	27440116
ECLASS-13.0	27440116

ETIM

ETIM 9.0	EC002635
----------	----------

UNSPSC

UNSPSC 21.0	39121400
-------------	----------

SACC-M12FR-5CON-PG 7 - Connector



1662308

<https://www.phoenixcontact.com/no/products/1662308>

Environmental product compliance

REACH SVHC	Lead 7439-92-1
China RoHS	Environmentally Friendly Use Period = 50 years
	For information on hazardous substances, refer to the manufacturer's declaration available under "Downloads"

Phoenix Contact 2024 © - all rights reserved

<https://www.phoenixcontact.com>

PHOENIX CONTACT AS

Strømsveien 344

N-1081 Oslo

+47 22 07 68 00

norge@phoenixcontact.com