

SAC-3P-M 8MR/0,3-PUR/M 8FS - Sensor/actuator cable



1682029

<https://www.phoenixcontact.com/au/products/1682029>

Please be informed that the data shown in this PDF document is generated from our online catalog. Please find the complete data in the user documentation. Our general terms of use for downloads are valid.



Sensor/actuator cable, 3-position, PUR halogen-free, black-gray RAL 7021, Plug angled M8, coding: A, on Socket straight M8, cable length: 0.3 m

Your advantages

- Easy and safe: 100 % electrically tested plug-in components

Commercial data

| | |
|--------------------------------------|---------------------|
| Item number | 1682029 |
| Packing unit | 1 pc |
| Minimum order quantity | 1 pc |
| Sales key | BF1BBA |
| Product key | BF1BBA |
| Catalog page | Page 188 (C-2-2019) |
| GTIN | 4017918158682 |
| Weight per piece (including packing) | 14.9 g |
| Weight per piece (excluding packing) | 12 g |
| Customs tariff number | 85444290 |
| Country of origin | CN |

SAC-3P-M 8MR/0,3-PUR/M 8FS - Sensor/actuator cable



1682029

<https://www.phoenixcontact.com/au/products/1682029>

Technical data

Product properties

| | |
|----------------------|-----------------------|
| Product type | Sensor/actuator cable |
| Number of positions | 3 |
| Application | Standard |
| No. of cable outlets | 1 |
| Shielded | no |
| Coding | A |

Insulation characteristics

| | |
|----------------------|----|
| Overvoltage category | II |
| Degree of pollution | 3 |

Material specifications

| | |
|--|---|
| Flammability rating according to UL 94 | HB |
| Seal material | NBR |
| Material of grip body | TPU, hardly inflammable, self-extinguishing |
| Contact material | CuSn |
| Contact surface material | Ni/Au |
| Contact carrier material | TPU GF |
| Material for screw connection | Zinc die-cast, nickel-plated |

Electrical properties

| | |
|-----------------------|----------------------------|
| Insulation resistance | $\geq 100 \text{ M}\Omega$ |
| Nominal voltage U_N | 48 V AC |
| | 60 V DC |
| Nominal current I_N | 4 A |
| Protective circuit | unwired |

Mechanical properties

Mechanical data

| | |
|-----------------------------|------------|
| Insertion/withdrawal cycles | ≥ 100 |
|-----------------------------|------------|

Signaling

| | |
|------------------------|----|
| Status display | No |
| Status display present | No |

Connection data

Conductor connection

| | |
|-------------------|------------------------|
| Tightening torque | 0.2 Nm (M8 connectors) |
|-------------------|------------------------|

Connector

SAC-3P-M 8MR/0,3-PUR/M 8FS - Sensor/actuator cable



1682029

<https://www.phoenixcontact.com/au/products/1682029>

Connection 1

| | |
|---------------------|----------------|
| Type | Plug angled M8 |
| Number of positions | 3 |
| Coding type | A |

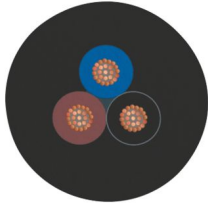
Connection 2

| | |
|---------------------|--------------------|
| Type | Socket straight M8 |
| Number of positions | 3 |

Cable/line

| | |
|--------------|-------|
| Cable length | 0.3 m |
|--------------|-------|

PUR halogen-free black [PUR]

| | |
|---------------------------------|---|
| Dimensional drawing |  |
| Cable weight | 18 kg/km |
| UL AWM Style | 20549 / 10493 (80°C/300 V) |
| Number of positions | 3 |
| Shielded | no |
| Cable type | PUR halogen-free black [PUR] |
| Conductor structure signal line | 32x 0.10 mm |
| AWG signal line | 24 |
| Conductor cross section | 3x 0.25 mm ² (Signal line) |
| Wire diameter incl. insulation | 1.17 mm ±0.02 mm |
| External cable diameter | 3.60 mm ±0.15 mm |
| Outer sheath, material | PUR |
| External sheath, color | black-gray RAL 7021 |
| Conductor material | Bare Cu litz wires |
| Material wire insulation | PP |
| Single wire, color | brown, blue, black |
| Thickness, insulation | ≥ 0.21 mm (Core insulation) |
| Thickness, outer sheath | approx. 0.50 mm |
| Overall twist | 3 wires, twisted |
| Length of twist, overall twist | 40 mm |
| Max. conductor resistance | ≤ 78 Ω/km (at 20 °C) |
| Insulation resistance | ≥ 100 GΩ*km (at 20 °C) |
| Nominal voltage, cable | ≤ 300 V |
| Test voltage | ≥ 3000 V |

SAC-3P-M 8MR/0,3-PUR/M 8FS - Sensor/actuator cable



1682029

<https://www.phoenixcontact.com/au/products/1682029>

| | |
|---|---|
| Smallest bending radius, fixed installation | 18 mm |
| Smallest bending radius, movable installation | 36 mm |
| Max. bending cycles | 10000000 |
| Halogen-free | in accordance with DIN VDE 0472 part 815 |
| Flame resistance | in accordance with UL 758/1581 FT2 DIN EN 60332-2-2 (20 s) |
| Resistance to oil | in accordance with DIN EN 60811-2-1 |
| Other resistance | hydrolysis and microbe resistant Highly resistant to acids, alkaline solutions and solvents Resistant to salt water partly UV-resistant (in accordance with DIN EN ISO 4892-2-A) |
| Special properties | Flexible cable conduit capable Silicone-free Free of substances which would hinder coating with paint or varnish |
| Ambient temperature (operation) | -40 °C ... 80 °C (cable, fixed installation) -25 °C ... 80 °C (Cable, flexible installation) |

Environmental and real-life conditions

Ambient conditions

| | |
|---------------------------------|--|
| Degree of protection | IP65 IP67 IP68 |
| Ambient temperature (operation) | -25 °C ... 90 °C (Plug / socket) -40 °C ... 80 °C (cable, fixed installation) -5 °C ... 80 °C (Cable, flexible installation) |

Standards and regulations

| | |
|--------------------------|-----------------|
| Standard designation | M8 connector |
| Standards/specifications | IEC 61076-2-104 |

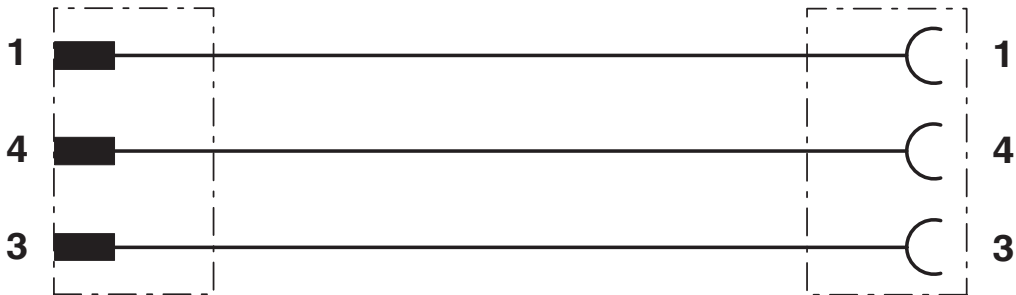
SAC-3P-M 8MR/0,3-PUR/M 8FS - Sensor/actuator cable

1682029

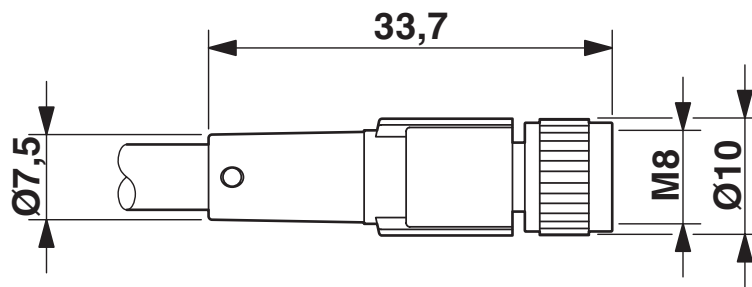
<https://www.phoenixcontact.com/au/products/1682029>

Drawings

Circuit diagram



Dimensional drawing



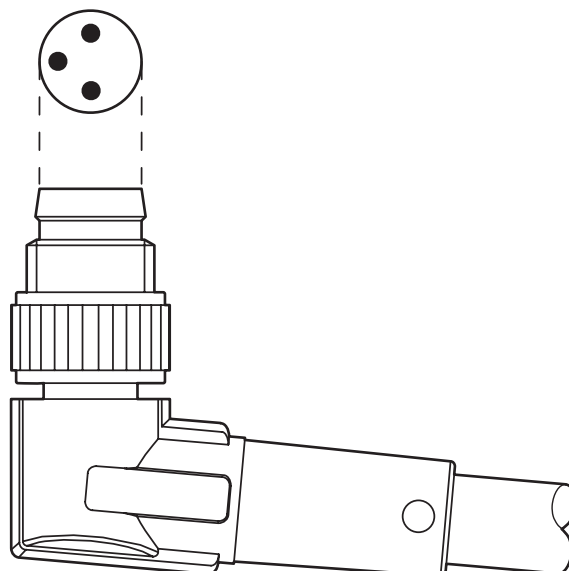
Socket M8 x 1, straight

SAC-3P-M 8MR/0,3-PUR/M 8FS - Sensor/actuator cable

1682029

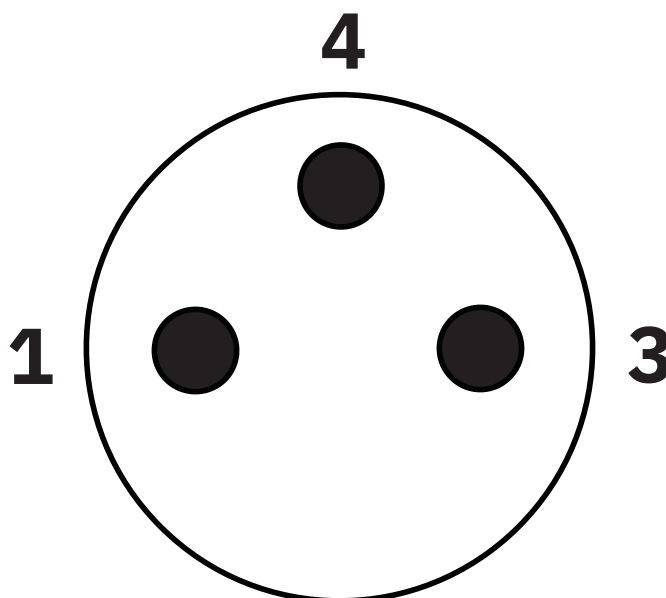
<https://www.phoenixcontact.com/au/products/1682029>

Schematic diagram



Layout of connector pin assignments

Schematic diagram



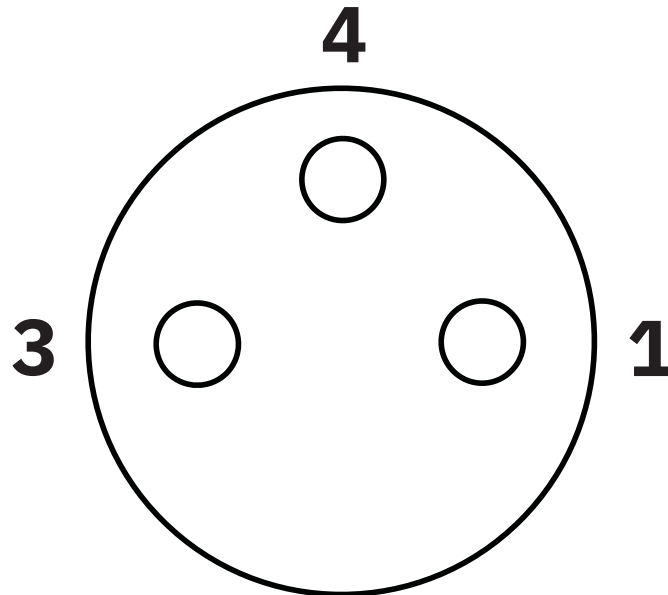
Pin assignment M8 plug, 3-pos., view male side

SAC-3P-M 8MR/0,3-PUR/M 8FS - Sensor/actuator cable

1682029

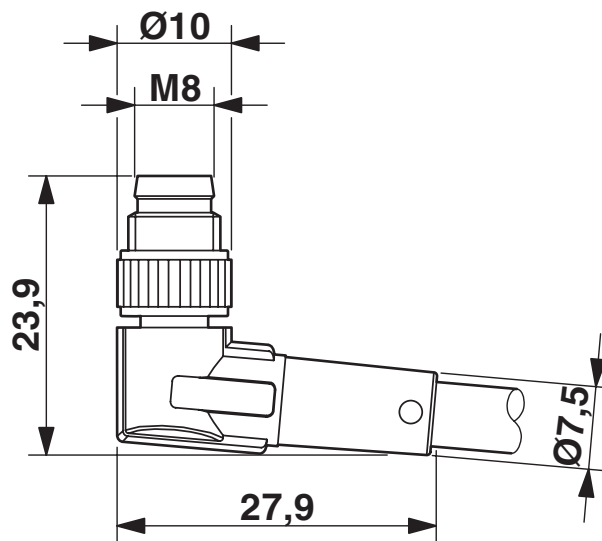
<https://www.phoenixcontact.com/au/products/1682029>

Schematic diagram



Pin assignment M8 socket, 3-pos., view female side

Dimensional drawing



M8 x 1 male plug, angled version

SAC-3P-M 8MR/0,3-PUR/M 8FS - Sensor/actuator cable





1682029


<https://www.phoenixcontact.com/au/products/1682029>

Approvals

To download certificates, visit the product detail page: <https://www.phoenixcontact.com/au/products/1682029>

|  UL Listed Approval ID: FILE E 221474 | | | | |
|--|-----------------------|-----------------------|-------------------|-----------------------------|
| | Nominal voltage U_N | Nominal current I_N | Cross section AWG | Cross section mm^2 |
| | 60 V | 4 A | - | - |

|  cUL Listed Approval ID: FILE E 221474 | | | | |
|---|-----------------------|-----------------------|-------------------|-----------------------------|
| | Nominal voltage U_N | Nominal current I_N | Cross section AWG | Cross section mm^2 |
| | 60 V | 4 A | - | - |

|  EAC-RoHS Approval ID: RU D-DE.HB35.B.00387 | |
|---|--|
|---|--|

| cULus Listed |
|---------------------|
|---------------------|

SAC-3P-M 8MR/0,3-PUR/M 8FS - Sensor/actuator cable



1682029

<https://www.phoenixcontact.com/au/products/1682029>

Classifications

ECLASS

| | |
|-------------|----------|
| ECLASS-11.0 | 27060311 |
| ECLASS-12.0 | 27060311 |
| ECLASS-13.0 | 27060311 |

ETIM

| | |
|----------|----------|
| ETIM 9.0 | EC001855 |
|----------|----------|

UNSPSC

| | |
|-------------|----------|
| UNSPSC 21.0 | 26121600 |
|-------------|----------|

SAC-3P-M 8MR/0,3-PUR/M 8FS - Sensor/actuator cable



1682029

<https://www.phoenixcontact.com/au/products/1682029>

Environmental product compliance

| | |
|------------|---|
| China RoHS | Environmentally friendly use period: unlimited = EFUP-e |
| | No hazardous substances above threshold values |

Phoenix Contact 2024 © - all rights reserved
<https://www.phoenixcontact.com>

PHOENIX CONTACT PTY Ltd
Unit 7, 2-8 South Street
Rydalmere NSW 2116
1300 786 411
customerservice@phoenixcontact.com.au