

SPT 16/ 5-H-10,0-ZB - PCB terminal block



1735817

<https://www.phoenixcontact.com/pc/products/1735817>

Please be informed that the data shown in this PDF document is generated from our online catalog. Please find the complete data in the user documentation. Our general terms of use for downloads are valid.



PCB terminal block, nominal current: 76 A, rated voltage (III/2): 1000 V, nominal cross section: 16 mm², number of potentials: 5, number of rows: 1, number of positions per row: 5, product range: SPT 16/..-H, pitch: 10 mm, connection method: Push-in spring connection, mounting: Wave soldering, conductor/PCB connection direction: 0 °, color: green, Pin layout: Zigzag pinning W, Solder pin [P]: 4 mm, number of solder pins per potential: 3, type of packaging: packed in cardboard

Your advantages

- Time saving push-in connection, tools not required
- Defined contact force ensures that contact remains stable over the long term
- Clamping space opened by means of fixed screwdriver enables convenient conductor connection
- Unrestricted 600-V-UL approval thanks to compact zig-zag pinning
- Operation and conductor connection from one direction enable integration into front of device

Commercial data

| | |
|--------------------------------------|---------------------|
| Item number | 1735817 |
| Packing unit | 50 pc |
| Minimum order quantity | 1 pc |
| Product key | AAOBCA |
| Catalog page | Page 467 (C-1-2013) |
| GTIN | 4046356179454 |
| Weight per piece (including packing) | 39.048 g |
| Weight per piece (excluding packing) | 39.028 g |
| Customs tariff number | 85369010 |
| Country of origin | BG |

SPT 16/ 5-H-10,0-ZB - PCB terminal block



1735817

<https://www.phoenixcontact.com/pc/products/1735817>

Technical data

Product properties

| | |
|---------------------------|----------------------------------|
| Product type | Printed circuit board terminal |
| Product family | SPT 16/...-H |
| Product line | COMBICON Terminals XL |
| Type | PC terminal block can be aligned |
| Number of positions | 5 |
| Pitch | 10 mm |
| Number of connections | 5 |
| Number of rows | 1 |
| Number of potentials | 5 |
| Pin layout | Zigzag pinning W |
| Solder pins per potential | 3 |

Electrical properties

| | |
|-----------------------------|--------|
| Nominal current I_N | 76 A |
| Nominal voltage U_N | 1000 V |
| Degree of pollution | 3 |
| Rated voltage (III/3) | 1000 V |
| Rated surge voltage (III/3) | 8 kV |
| Rated voltage (III/2) | 1000 V |
| Rated surge voltage (III/2) | 8 kV |
| Rated voltage (II/2) | 1000 V |
| Rated surge voltage (II/2) | 6 kV |

Connection data

Connection technology

| | |
|-----------------------|----------------------------------|
| Type | PC terminal block can be aligned |
| Nominal cross section | 16 mm ² |

Conductor connection

| | |
|---|---|
| Connection method | Push-in spring connection |
| Conductor cross section rigid | 0.75 mm ² ... 16 mm ² |
| Conductor cross section flexible | 0.75 mm ² ... 16 mm ² |
| Conductor cross section AWG | 20 ... 4 |
| Conductor cross section flexible, with ferrule without plastic sleeve | 0.75 mm ² ... 16 mm ² |
| Conductor cross section, flexible, with ferrule, with plastic sleeve | 0.75 mm ² ... 10 mm ² |
| 2 conductors with the same cross section, flexible, with TWIN ferrule with plastic sleeve | 0.75 mm ² ... 4 mm ² |
| Stripping length | 18 mm |

Mounting

SPT 16/ 5-H-10,0-ZB - PCB terminal block



1735817

<https://www.phoenixcontact.com/pc/products/1735817>

| | |
|---------------|------------------|
| Mounting type | Wave soldering |
| Pin layout | Zigzag pinning W |

Material specifications

Material data - contact

| | |
|--|--|
| Note | WEEE/RoHS-compliant, free of whiskers according to IEC 60068-2-82/JEDEC JESD 201 |
| Contact material | Cu alloy |
| Surface characteristics | Tin-plated |
| Metal surface terminal point (top layer) | Tin (10 - 16 μm Sn) |
| Metal surface soldering area (top layer) | Tin (10 - 16 μm Sn) |

Material data - housing

| | |
|---|--------------|
| Color (Housing) | green (6021) |
| Insulating material | PA |
| Insulating material group | I |
| CTI according to IEC 60112 | 600 |
| Flammability rating according to UL 94 | V0 |
| Glow wire flammability index GWFI according to EN 60695-2-12 | 850 |
| Glow wire ignition temperature GWIT according to EN 60695-2-13 | 775 |
| Temperature for the ball pressure test according to EN 60695-10-2 | 125 °C |

Dimensions

| | |
|-----------------------|------------|
| Dimensional drawing | |
| Pitch | 10 mm |
| Width [w] | 51.8 mm |
| Height [h] | 34 mm |
| Length [l] | 29 mm |
| Installed height | 30 mm |
| Solder pin length [P] | 4 mm |
| Pin dimensions | 1.2 x 1 mm |

PCB design

| | |
|---------------|--------|
| Pin spacing | 15 mm |
| Hole diameter | 1.7 mm |

Mechanical tests

Connection test

SPT 16/ 5-H-10,0-ZB - PCB terminal block



1735817

<https://www.phoenixcontact.com/pc/products/1735817>

| | |
|---------------|-----------------------|
| Specification | IEC 60998-2-2:2002-12 |
| Result | Test passed |

Test for conductor damage and slackening

| | |
|---------------|-----------------------|
| Specification | IEC 60998-2-2:2002-12 |
| Result | Test passed |

Pull-out test

| | |
|---|--|
| Specification | IEC 60998-2-2:2002-12 |
| Conductor cross section/conductor type/tractive force setpoint/actual value | 0.75 mm ² / solid / > 30 N |
| | 0.75 mm ² / flexible / > 30 N |
| | 16 mm ² / solid / > 100 N |
| | 16 mm ² / flexible / > 100 N |

Flexion test

| | |
|---------------|-----------------------|
| Specification | IEC 60998-2-2:2002-12 |
| Result | Test passed |

Insulation holder for crimp connections

| | |
|--------|-------------|
| Result | Test passed |
|--------|-------------|

Electrical tests

Temperature-rise test

| | |
|-----------------------------------|--------------------------------|
| Specification | IEC 60998-2-1:2002-12 |
| Requirement temperature-rise test | Increase in temperature ≤ 45 K |

Insulation resistance

| | |
|--|---------------------|
| Specification | IEC 60998-1:2002-12 |
| Insulation resistance, neighboring positions | > 5 MΩ |

Air clearances and creepage distances |

| | |
|--|---|
| Specification | IEC 60664-1:1992-10 + A1:2000-02 + A2:2002-05 |
| Insulating material group | I |
| Comparative tracking index (IEC 60112) | CTI 600 |
| Rated insulation voltage (III/3) | 1000 V |
| Rated surge voltage (III/3) | 8 kV |
| minimum clearance value - non-homogenous field (III/3) | 8 mm |
| minimum creepage distance (III/3) | 12.5 mm |
| Rated insulation voltage (III/2) | 1000 V |
| Rated surge voltage (III/2) | 8 kV |
| minimum clearance value - non-homogenous field (III/2) | 8 mm |
| minimum creepage distance (III/2) | 8 mm |
| Rated insulation voltage (II/2) | 1000 V |
| Rated surge voltage (II/2) | 6 kV |
| minimum clearance value - non-homogenous field (II/2) | 5.5 mm |
| minimum creepage distance (II/2) | 5.5 mm |

SPT 16/ 5-H-10,0-ZB - PCB terminal block



1735817

<https://www.phoenixcontact.com/pc/products/1735817>

Environmental and real-life conditions

Vibration test

| | |
|------------------------|-----------------------------|
| Specification | IEC 60068-2-6:1995-03 |
| Frequency | 10 - 150 - 10 Hz |
| Sweep speed | 1 octave/min |
| Amplitude | 0.35 mm (10 Hz ... 60.1 Hz) |
| Acceleration | 5g (60.1 Hz ... 150 Hz) |
| Test duration per axis | 2.5 h |

Glow-wire test

| | |
|------------------|---------------------|
| Specification | IEC 60998-1:2002-12 |
| Temperature | 850 °C |
| Time of exposure | 5 s |

Ambient conditions

| | |
|---|---|
| Ambient temperature (operation) | -40 °C ... 100 °C (Depending on the current carrying capacity/derating curve) |
| Ambient temperature (storage/transport) | -40 °C ... 70 °C |
| Relative humidity (storage/transport) | 30 % ... 70 % |
| Ambient temperature (assembly) | -5 °C ... 100 °C |

Packaging specifications

| | |
|-------------------|---------------------|
| Type of packaging | packed in cardboard |
|-------------------|---------------------|

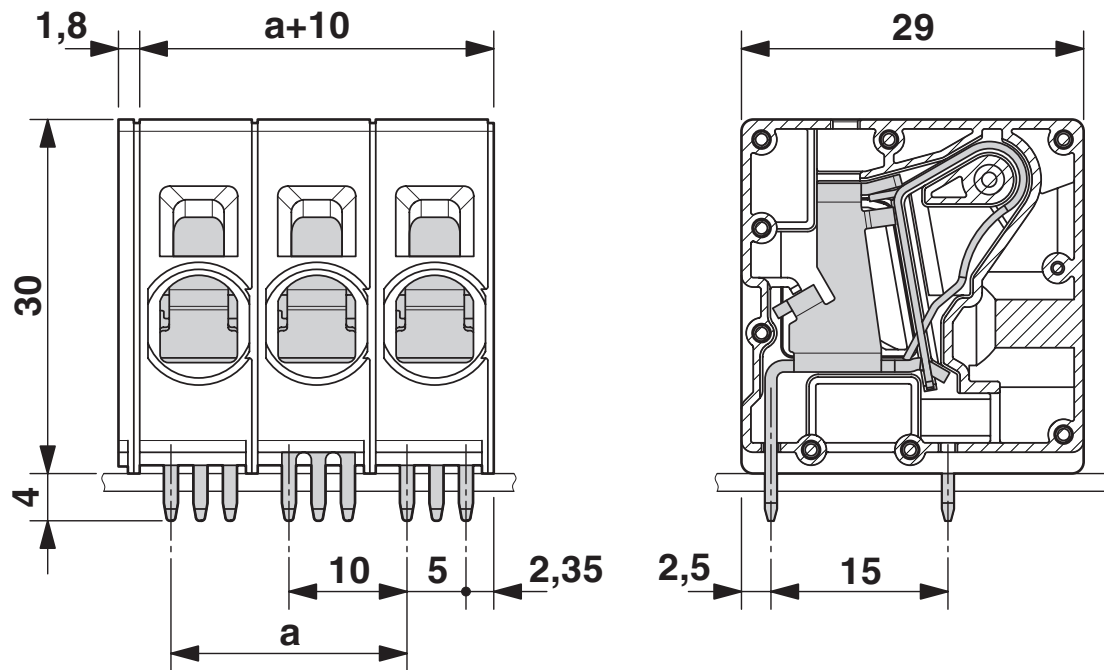
SPT 16/ 5-H-10,0-ZB - PCB terminal block

1735817

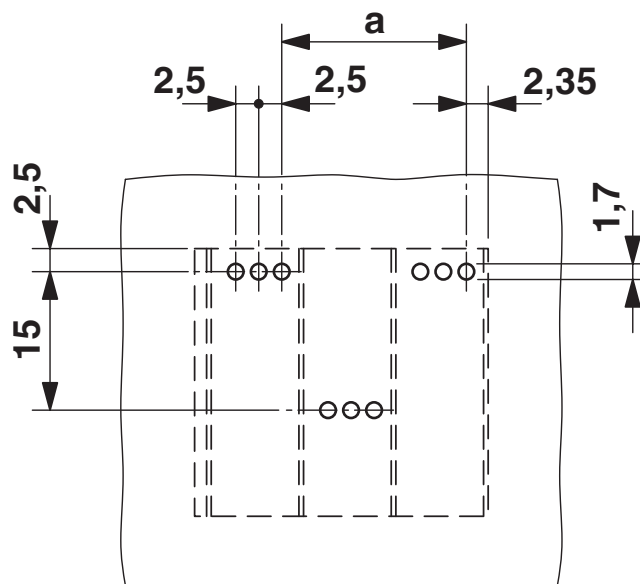
<https://www.phoenixcontact.com/pc/products/1735817>

Drawings

Dimensional drawing



Drilling plan/solder pad geometry

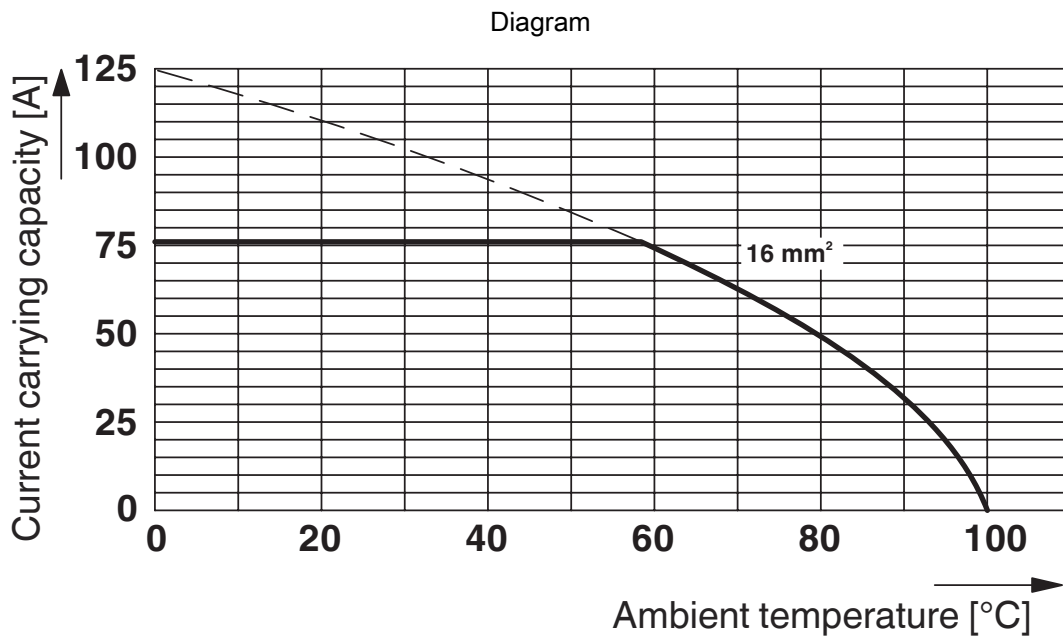


SPT 16/ 5-H-10,0-ZB - PCB terminal block



1735817

<https://www.phoenixcontact.com/pc/products/1735817>



Type: SPT 16/...-H-10,0-ZB

Test based on DIN EN 60512-5-2:2003-01

Reduction factor = 1

Number of positions: 5

SPT 16/ 5-H-10,0-ZB - PCB terminal block




1735817

<https://www.phoenixcontact.com/pc/products/1735817>

Approvals

To download certificates, visit the product detail page: <https://www.phoenixcontact.com/pc/products/1735817>

|  cULus Recognized Approval ID: E60425-20061129 | | | | |
|---|-----------------------|-----------------------|-------------------|-----------------------------|
| | Nominal voltage U_N | Nominal current I_N | Cross section AWG | Cross section mm^2 |
| Use group B | 600 V | 66 A | 20 - 4 | - |
| Use group C | 600 V | 66 A | 20 - 4 | - |

|  VDE Zeichengenehmigung Approval ID: 40042909 | | | | |
|--|-----------------------|-----------------------|-------------------|-----------------------------|
| | Nominal voltage U_N | Nominal current I_N | Cross section AWG | Cross section mm^2 |
| | 1000 V | 76 A | - | 0.75 - 16 |

SPT 16/ 5-H-10,0-ZB - PCB terminal block



1735817

<https://www.phoenixcontact.com/pc/products/1735817>

Classifications

ECLASS

| | |
|-------------|----------|
| ECLASS-11.0 | 27460101 |
| ECLASS-12.0 | 27460101 |
| ECLASS-13.0 | 27460101 |

ETIM

| | |
|----------|----------|
| ETIM 9.0 | EC002643 |
|----------|----------|

UNSPSC

| | |
|-------------|----------|
| UNSPSC 21.0 | 39121400 |
|-------------|----------|

SPT 16/ 5-H-10,0-ZB - PCB terminal block



1735817

<https://www.phoenixcontact.com/pc/products/1735817>

Environmental product compliance

EU RoHS

| | |
|---|--------------------|
| Fulfills EU RoHS substance requirements | Yes, No exemptions |
|---|--------------------|

China RoHS

| | |
|--|--|
| Environment friendly use period (EFUP) | EFUP-E |
| | No hazardous substances above the limits |

EU REACH SVHC

| | |
|-------------------------------------|----------------------------|
| REACH candidate substance (CAS No.) | No substance above 0.1 wt% |
|-------------------------------------|----------------------------|

Phoenix Contact 2024 © - all rights reserved
<https://www.phoenixcontact.com>

PHOENIX CONTACT GmbH & Co. KG
Flachmarktstraße 8
D-32825 Blomberg
+49 (0) 5235-3 00
info@phoenixcontact.com