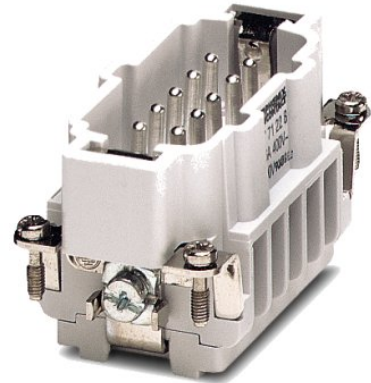


## HC-B 10-ESTS

Order No.: 1771228

<http://eshop.phoenixcontact.de/phoenix/treeViewClick.do?UID=1771228>

HEAVYCON male insert, B10 series, 10-pos., screw connection

### Commercial data

|                          |                    |
|--------------------------|--------------------|
| EAN                      | 4017918035969      |
| Pack                     | 10 Pcs.            |
| Customs tariff           | 85366990           |
| Weight/Piece             | 0.07622 KG         |
| Catalog page information | Page 345 (PC-2007) |

### Product notes

WEEE/RoHS-compliant since:  
12/01/2005

<http://www.download.phoenixcontact.com>  
Please note that the data given here has been taken from the online catalog. For comprehensive information and data, please refer to the user documentation. The General Terms and Conditions of Use apply to Internet downloads.

### Technical data

#### General data

|                                 |  |
|---------------------------------|--|
| Note                            | For housing HC-B10                                   |
| Connection systems              | Screw connection                                     |
| Tightening torque               | 0.5 Nm   |
| Ambient temperature (operation) | -40 °C ... 125 °C (including heating up of contacts) |

|   |   |
|---|---|
| Pollution degree                        | 3   |
| Surge voltage category                  | III   |
| Test voltage                            | 3 kV AC                                     |
| Constructional and testing regulations  | DIN VDE 0627/86                             |
|   | DIN VDE 0110/02.79                          |
|   | DIN VDE 0110-1/04.97                        |
|   | IEC 60664-1, DIN IEC 60512                  |
|   | IEC 60352                                   |
| Number of positions                     | 10  |
| Insertion/withdrawal cycles             | ≥ 500                                       |
| Design                                  | B10   |
| Connection in acc. with standard        | IEC / EN                                    |
| Conductor cross section                 | 0.5 mm <sup>2</sup> ... 2.5 mm <sup>2</sup> |
| Connection cross section AWG            | 20 ... 14                                   |
| Stripping length of the individual wire | 7 mm  |

**Material data**

|                                    |              |
|------------------------------------|--------------|
| Inflammability class acc. to UL 94 | V0           |
| Contact material                   | Copper alloy |
| Contact surface material           | Ag           |
| Contact carrier material           | PA           |

**Electrical characteristics**

|                       |       |
|-----------------------|-------|
| Rated voltage (III/3) | 500 V |
| Rated surge voltage   | 6 kV  |
| Rated current         | 16 A  |

**Certificates / Approvals**



**CSA**

|                                |       |
|--------------------------------|-------|
| Nominal voltage U <sub>N</sub> | 600 V |
| Nominal current I <sub>N</sub> | 16 A  |
| AWG/kcmil                      | 20-14 |

**UL**

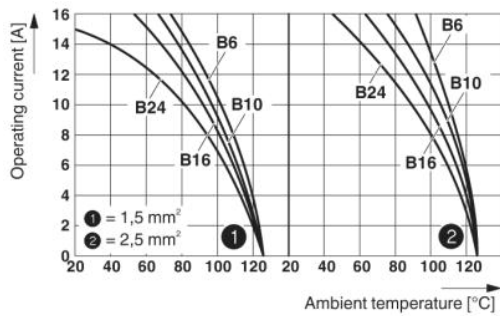
|                       |               |
|-----------------------|---------------|
| Nominal voltage $U_N$ | 600 V         |
| Nominal current $I_N$ | 15 A          |
| AWG/kcmil             | 18-12         |
| Certification         | CSA, GOST, UL |

**Accessories**

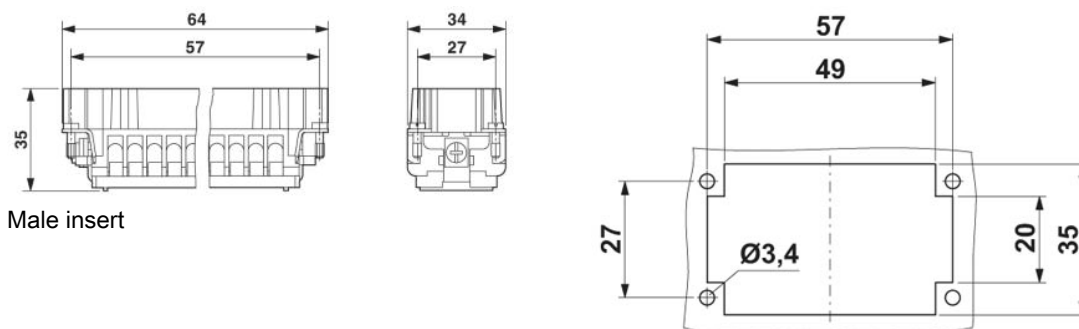
| Item           | Designation | Description   |
|----------------|-------------|---|
| <b>General</b> |             |   |
| 1604997        | HC-B-PES    | Additional PE screw, for contact inserts HC-B / HC-BB / HC-DD / HC-D40 / HC-D64 |

**Drawings**

Diagram



Dimensioned drawing



Schematic diagram

---

