

HC-B 10-AMQ - Housing

1771325

<https://www.phoenixcontact.com/us/products/1771325>

Please be informed that the data shown in this PDF document is generated from our online catalog. Please find the complete data in the user documentation. Our general terms of use for downloads are valid.

HEAVYCON B10 panel mounting base, with double locking latch, height: 29 mm, with flat gasket



Commercial data

Item number	1771325
Packing unit	1 pc
Note	Made to order (non-returnable)
Sales key	BF55
Product key	BF7AAC
Catalog page	Page 500 (C-4-2013)
GTIN	4017918036058
Weight per piece (including packing)	108 g
Weight per piece (excluding packing)	108 g
Customs tariff number	85389099
Country of origin	DE

HC-B 10-AMQ - Housing

1771325

<https://www.phoenixcontact.com/us/products/1771325>

Technical data

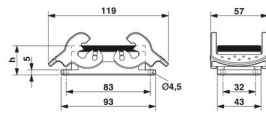
Notes

General	For contact inserts HC-B10, BB18, DD42, M, K8/24
---------	--

Product properties

Type	B10
Product type	Housing with locking latch
Application	Standard
Housing type	Panel mounting base
Shielded	no
Pg screw connection	none

Dimensions

Dimensional drawing	
Width	43 mm
Height	29 mm
Length	93 mm

Installation dimensions

Width of the assembly cutout	35 mm
Length of the assembly cutout	65 mm

Material specifications

Seal material	NBR CR
Housing surface material	Powder-coated, gray
Locking latch material	Stainless steel, handle: PA
Housing material	die-cast aluminum

Mechanical properties

Mechanical data

Locking type	Latch
--------------	-------

Environmental and real-life conditions

Ambient conditions

Degree of protection	IP65 (When plugged in)
Ambient temperature (operation)	-40 °C ... 125 °C

HC-B 10-AMQ - Housing

1771325

<https://www.phoenixcontact.com/us/products/1771325>



Phoenix Contact 2024 © - all rights reserved

<https://www.phoenixcontact.com>

Phoenix Contact USA
586 Fulling Mill Road
Middletown, PA 17057, United States
(+717) 944-1300
info@phoenixcon.com