

# HC-D 7-AML-24/GR - Housing



1773035

<https://www.phoenixcontact.com/us/products/1773035>

Please be informed that the data shown in this PDF document is generated from our online catalog. Please find the complete data in the user documentation. Our general terms of use for downloads are valid.



HEAVYCON panel mounting base D7, with single locking latch, height 24 mm, straight, zinc die-cast

## Commercial data

Item number	1773035
Packing unit	1 pc
Note	Made to order (non-returnable)
Sales key	BF55
Product key	BF7AAE
Catalog page	Page 493 (C-4-2015)
GTIN	4017918122324
Weight per piece (including packing)	48.84 g
Weight per piece (excluding packing)	48.84 g
Customs tariff number	85389099
Country of origin	DE

# HC-D 7-AML-24/GR - Housing

1773035

<https://www.phoenixcontact.com/us/products/1773035>

## Technical data

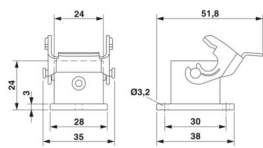
### Notes

General	for contact inserts HC-A03, A04, D07, D08, Q02, Q03, Q04, Q05, Q07, Q12
---------	---

### Product properties

Type	D7
Product type	Housing with locking latch
Application	Standard
Housing type	Panel mounting base
Shielded	no
Pg screw connection	none

### Dimensions

Dimensional drawing	
Width	38 mm
Height	24 mm
Length	24 mm

### Installation dimensions

Width of the assembly cutout	21 mm
Length of the assembly cutout	21 mm

### Material specifications

Seal material	NBR
Housing surface material	Powder-coated, gray (metal housing)
Locking latch material	Steel, galvanized and passivated
Housing material	Zinc die-cast

### Mechanical properties

#### Mechanical data

Locking type	Latch
--------------	-------

### Environmental and real-life conditions

#### Ambient conditions

Degree of protection	IP54 IP65 (with sealing screw)
Ambient temperature (operation)	-40 °C ... 125 °C

# HC-D 7-AML-24/GR - Housing

1773035

<https://www.phoenixcontact.com/us/products/1773035>



Phoenix Contact 2024 © - all rights reserved

<https://www.phoenixcontact.com>

Phoenix Contact USA  
586 Fulling Mill Road  
Middletown, PA 17057, United States  
(+717) 944-1300  
[info@phoenixcon.com](mailto:info@phoenixcon.com)