

PTPM 0,4/ 5-P-2,5 PA CAT5 - Plug



1811145

<https://www.phoenixcontact.com/pc/products/1811145>

Please be informed that the data shown in this PDF document is generated from our online catalog. Please find the complete data in the user documentation. Our general terms of use for downloads are valid.



Commercial data

Item number	1811145
Packing unit	250 pc
Minimum order quantity	1 pc
Product key	AAA1CK
Catalog page	Page 57 (C-1-2013)
GTIN	4046356709088
Weight per piece (including packing)	2.075 g
Weight per piece (excluding packing)	2.075 g
Customs tariff number	85366990
Country of origin	US

PTPM 0,4/ 5-P-2,5 PA CAT5 - Plug

1811145

<https://www.phoenixcontact.com/pc/products/1811145>

Technical data

Product properties

Type	Standard
Number of positions	4
Pitch	2.5 mm
Mounting flange	without

Data management status

Article revision	00
------------------	----

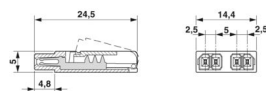
Electrical properties

Maximum load current	4 A
Rated voltage (II/2)	125 V
Rated voltage (III/2)	125 V
Rated surge voltage (II/2)	2.5 kV
Rated surge voltage (III/2)	2.5 kV
Rated surge voltage (III/3)	2.5 kV

Connection data

Maximum load current	4 A
Connection method	Pierce connection

Dimensions

Dimensional drawing	
Installed height	5 mm
Pitch	2.5 mm

Material specifications

Color	black
Flammability rating according to UL 94	V0/V2
Insulating material group	III
Insulating material	PA/PC
Contact surface	Tin Sn
Contact surface material	Sn

Cable/line

Wire diameter incl. insulation	1.6 mm (Terminal block is tested with PVC insulation - other insulation materials available on request)
--------------------------------	---

PTPM 0,4/ 5-P-2,5 PA CAT5 - Plug

1811145

<https://www.phoenixcontact.com/pc/products/1811145>



Standards and regulations

Connection in acc. with standard

EN-VDE

PTPM 0,4/ 5-P-2,5 PA CAT5 - Plug

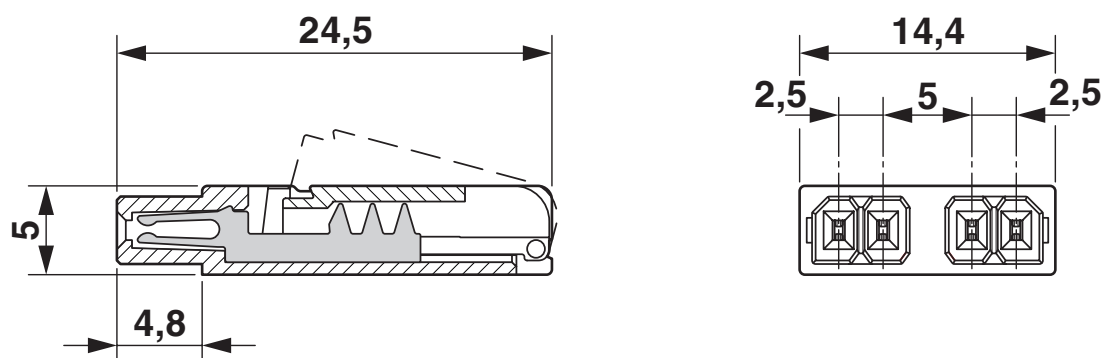
1811145

<https://www.phoenixcontact.com/pc/products/1811145>



Drawings

Dimensional drawing



PTPM 0,4/ 5-P-2,5 PA CAT5 - Plug

1811145

<https://www.phoenixcontact.com/pc/products/1811145>



Environmental product compliance

China RoHS

Environment friendly use period (EFUP)	EFUP-E
	No hazardous substances above the limits

EU REACH SVHC

REACH candidate substance (CAS No.)	No substance above 0.1 wt%
-------------------------------------	----------------------------

PTPM 0,4/ 5-P-2,5 PA CAT5 - Plug

1811145

<https://www.phoenixcontact.com/pc/products/1811145>

Accessories

PTSM 0,5/ 5-HH1-2,5-THR R32 - PCB header

1814809

<https://www.phoenixcontact.com/pc/products/1814809>

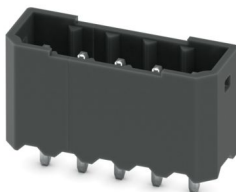


PCB headers, nominal cross section: 0.5 mm², color: black, nominal current: 6 A, rated voltage (III/2): 160 V, contact surface: Tin, contact connection type: Pin, number of potentials: 5, number of rows: 1, number of positions: 5, number of connections: 5, product range: PTSM 0,5/..-HH-THR, pitch: 2.5 mm, mounting: THR soldering / wave soldering, pin layout: Linear pinning, solder pin [P]: 2 mm, number of solder pins per potential: 1, plug-in system: COMBICON PTSM, Pin connector pattern alignment: Standard, locking: without, mounting: without, type of packaging: 32 mm wide tape, Article with anti-rotation pin

PTSM 0,5/ 5-HV-2,5-THR R32 - PCB header

1778586

<https://www.phoenixcontact.com/pc/products/1778586>



PCB headers, nominal cross section: 0.5 mm², color: black, nominal current: 6 A, rated voltage (III/2): 160 V, contact surface: Tin, contact connection type: Pin, number of potentials: 5, number of rows: 1, number of positions: 5, number of connections: 5, product range: PTSM 0,5/..-HV-THR, pitch: 2.5 mm, mounting: THR soldering / wave soldering, pin layout: Linear pinning, solder pin [P]: 2 mm, number of solder pins per potential: 1, plug-in system: COMBICON PTSM, Pin connector pattern alignment: Standard, locking: without, mounting: without, type of packaging: 32 mm wide tape

PTPM 0,4/ 5-P-2,5 PA CAT5 - Plug

1811145

<https://www.phoenixcontact.com/pc/products/1811145>

PTSM 0,5/ 5-PI-2,5 BK - PCB connector

1709438

<https://www.phoenixcontact.com/pc/products/1709438>



PCB connector, nominal cross section: 0.5 mm², color: black, nominal current: 6 A, rated voltage (III/2): 160 V, contact surface: Tin, contact connection type: Pin, number of potentials: 5, number of rows: 1, number of positions: 5, number of connections: 5, product range: PTSM 0,5/...-PI, pitch: 2.5 mm, connection method: Push-in spring connection, conductor/PCB connection direction: 0 °, plug-in system: COMBICON PTSM, locking: without, mounting: without, type of packaging: packed in cardboard

PTSM 0,5/ 5-HH-2,5-SMD R32 - PCB header

1778793

<https://www.phoenixcontact.com/pc/products/1778793>



PCB headers, nominal cross section: 0.5 mm², color: black, nominal current: 6 A, rated voltage (III/2): 160 V, contact surface: Tin, contact connection type: Pin, number of potentials: 5, number of rows: 1, number of positions: 5, number of connections: 5, product range: PTSM 0,5/...-HH-SMD, pitch: 2.5 mm, mounting: SMD soldering, pin layout: Linear pad geometry, number of solder pins per potential: 1, plug-in system: COMBICON PTSM, Pin connector pattern alignment: Standard, locking: without, mounting: without, type of packaging: 32 mm wide tape, Article with anti-rotation pin

Phoenix Contact 2024 © - all rights reserved
<https://www.phoenixcontact.com>

PHOENIX CONTACT GmbH & Co. KG
Flachsmarktstraße 8
D-32825 Blomberg
+49 (0) 5235-3 00
info@phoenixcontact.com