

# KGG-MC 1,5/12 - Cable housing



1834440

<https://www.phoenixcontact.com/pc/products/1834440>

Please be informed that the data shown in this PDF document is generated from our online catalog. Please find the complete data in the user documentation. Our general terms of use for downloads are valid.

Cable housing, color: green, product range: KGG-MC 1,5, width: 14.5 mm



## Commercial data

Item number	1834440
Packing unit	10 pc
Minimum order quantity	1 pc
Product key	AAHZDB
Catalog page	Page 243 (C-1-2013)
GTIN	4017918110789
Weight per piece (including packing)	11.668 g
Weight per piece (excluding packing)	11.47 g
Customs tariff number	39269097
Country of origin	PL

# KGG-MC 1,5/12 - Cable housing

1834440

<https://www.phoenixcontact.com/pc/products/1834440>

## Technical data

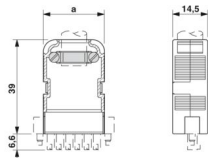
### Product properties

Product type	Cable housing
Product family	KGG-MC 1,5
Number of positions	12
Pitch	3.81 mm

### Material specifications

Flammability rating according to UL 94	HB
--	----

### Dimensions

Dimensional drawing	
Width	14.5 mm
Height	45.6 mm
Pitch	3.81 mm

# KGG-MC 1,5/12 - Cable housing

1834440

<https://www.phoenixcontact.com/pc/products/1834440>



## Drawings

Dimensional drawing



# KGG-MC 1,5/12 - Cable housing



1834440

<https://www.phoenixcontact.com/pc/products/1834440>

## Classifications

### ECLASS

ECLASS-11.0	27460402
ECLASS-12.0	27460402
ECLASS-13.0	27460402

### ETIM

ETIM 9.0	EC002943
----------	----------

### UNSPSC

UNSPSC 21.0	39121400
-------------	----------

# KGG-MC 1,5/12 - Cable housing



1834440

<https://www.phoenixcontact.com/pc/products/1834440>

## Environmental product compliance

### EU RoHS

Fulfills EU RoHS substance requirements	Yes, No exemptions
---	--------------------

### China RoHS

Environment friendly use period (EFUP)	EFUP-E
	No hazardous substances above the limits

### EU REACH SVHC

REACH candidate substance (CAS No.)	No substance above 0.1 wt%
-------------------------------------	----------------------------

Phoenix Contact 2024 © - all rights reserved  
<https://www.phoenixcontact.com>

PHOENIX CONTACT GmbH & Co. KG  
Flachmarktstraße 8  
D-32825 Blomberg  
+49 (0) 5235-3 00  
[info@phoenixcontact.com](mailto:info@phoenixcontact.com)