

# IPCV 16/ 4-GF-10,16 - PCB header



1969797

<https://www.phoenixcontact.com/pc/products/1969797>

Please be informed that the data shown in this PDF document is generated from our online catalog. Please find the complete data in the user documentation. Our general terms of use for downloads are valid.



PCB headers, nominal cross section: 16 mm<sup>2</sup>, color: green, nominal current: 76 A, rated voltage (III/2): 1000 V, contact surface: Silver, contact connection type: Socket, number of potentials: 4, number of rows: 1, number of positions: 4, number of connections: 4, product range: IPCV 16/..-GF, pitch: 10.16 mm, mounting: Wave soldering, pin layout: Linear pinning, solder pin [P]: 4 mm, number of solder pins per potential: 3, plug-in system: COMBICON PC 16, Pin connector pattern alignment: Standard, locking: Screw locking mechanism, mounting: Threaded flange, type of packaging: packed in cardboard

## Your advantages

- Well-known mounting principle allows worldwide use
- Maximum flexibility when it comes to device design – one header for connectors with different connection technologies
- Inverted header with socket contacts for touch-proof device outputs or PCB/PCB connections
- Screwable flange for superior mechanical stability
- Integrated double steel spring provides additional safety in the event of temperature and power fluctuations

## Commercial data

|                                      |                                |
|--------------------------------------|--------------------------------|
| Item number                          | 1969797                        |
| Packing unit                         | 50 pc                          |
| Minimum order quantity               | 1 pc                           |
| Note                                 | Made to order (non-returnable) |
| Product key                          | AAESCF                         |
| Catalog page                         | Page 573 (C-1-2013)            |
| GTIN                                 | 4017918946807                  |
| Weight per piece (including packing) | 20.212 g                       |
| Weight per piece (excluding packing) | 19.45 g                        |
| Customs tariff number                | 85366930                       |
| Country of origin                    | PL                             |

# IPCV 16/ 4-GF-10,16 - PCB header



1969797

<https://www.phoenixcontact.com/pc/products/1969797>

## Technical data

### Product properties

|                           |                        |
|---------------------------|------------------------|
| Product type              | PCB headers            |
| Product family            | IPCV 16/..-GF          |
| Product line              | COMBICON Connectors XL |
| Type                      | Inverted               |
| Number of positions       | 4                      |
| Pitch                     | 10.16 mm               |
| Number of connections     | 4                      |
| Number of rows            | 1                      |
| Number of potentials      | 4                      |
| Mounting flange           | Threaded flange        |
| Pin layout                | Linear pinning         |
| Solder pins per potential | 3                      |

### Electrical properties

|                             |                |
|-----------------------------|----------------|
| Nominal current $I_N$       | 76 A           |
| Nominal voltage $U_N$       | 1000 V         |
| Degree of pollution         | 3              |
| Contact resistance          | 0.4 m $\Omega$ |
| Rated voltage (III/3)       | 1000 V         |
| Rated surge voltage (III/3) | 8 kV           |
| Rated voltage (III/2)       | 1000 V         |
| Rated surge voltage (III/2) | 8 kV           |
| Rated voltage (II/2)        | 1000 V         |
| Rated surge voltage (II/2)  | 8 kV           |

### Mounting

|               |                |
|---------------|----------------|
| Mounting type | Wave soldering |
| Pin layout    | Linear pinning |

### Flange

|                   |        |
|-------------------|--------|
| Tightening torque | 0.3 Nm |
|-------------------|--------|

### Attachment on the PCB

|                   |                      |
|-------------------|----------------------|
| Tightening torque | 0.3 Nm               |
| Screw             | 1705449 DFK-PC 16-SS |

### Material specifications

#### Material data - contact

|                  |  |
|------------------|--|
| Note             | WEEE/RoHS-compliant, free of whiskers according to IEC 60068-2-82/JEDEC JESD 201 |
| Contact material | Cu alloy   |

# IPCV 16/ 4-GF-10,16 - PCB header

1969797

<https://www.phoenixcontact.com/pc/products/1969797>

|  |                          |
|--|--------------------------|
| Surface characteristics                  | completely silver-plated |
| Metal surface contact area (top layer)   | Silver (4 - 8 µm Ag)     |
| Metal surface soldering area (top layer) | Silver (4 - 8 µm Ag)     |

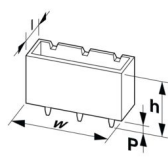
## Material data - housing

|   |              |
|---|--------------|
| Color (Housing)   | green (6021) |
| Insulating material   | PA           |
| Insulating material group   | I            |
| CTI according to IEC 60112  | 600          |
| Flammability rating according to UL 94                            | V0           |
| Glow wire flammability index GWFI according to EN 60695-2-12      | 850          |
| Glow wire ignition temperature GWIT according to EN 60695-2-13    | 775          |
| Temperature for the ball pressure test according to EN 60695-10-2 | 125 °C       |

## Notes

|                    |  |
|--------------------|--|
| Notes on operation | In accordance with IEC 61984, COMBICON connectors have no switching power (COC). During designated use, they must not be plugged in or disconnected when carrying voltage or under load. |
|--------------------|--|

## Dimensions

|                       |  |
|-----------------------|--|
| Dimensional drawing   |  |
| Pitch                 | 10.16 mm   |
| Width [w]             | 58.4 mm  |
| Height [h]            | 36.1 mm  |
| Length [l]            | 13.6 mm  |
| Installed height      | 32.1 mm  |
| Solder pin length [P] | 4 mm   |
| Pin dimensions        | 0.8 x 1.2 mm   |

## PCB design

|               |          |
|---------------|----------|
| Pin spacing   | 10.16 mm |
| Hole diameter | 1.7 mm   |

## Mechanical tests

### Visual inspection

|               |                       |
|---------------|-----------------------|
| Specification | IEC 60512-1-1:2002-02 |
| Result        | Test passed           |

### Dimension check

|               |                       |
|---------------|-----------------------|
| Specification | IEC 60512-1-2:2002-02 |
|---------------|-----------------------|

# IPCV 16/ 4-GF-10,16 - PCB header



1969797

<https://www.phoenixcontact.com/pc/products/1969797>

|   |                        |
|---|------------------------|
| Result                                      | Test passed            |
| Resistance of inscriptions                  |                        |
| Specification                               | IEC 60068-2-70:1995-12 |
| Result                                      | Test passed            |
| Polarization and coding                     |                        |
| Specification                               | IEC 60512-13-5:2006-02 |
| Result                                      | Test passed            |
| Contact holder in insert                    |                        |
| Specification                               | IEC 60512-15-1:2008-05 |
| Contact holder in insert Requirements >20 N | Test passed            |
| Insertion and withdrawal forces             |                        |
| Result                                      | Test passed            |
| No. of cycles                               | 50                     |
| Insertion strength per pos. approx.         | 8 N                    |
| Withdraw strength per pos. approx.          | 10 N                   |

## Electrical tests

### Thermal test | Test group C

|                            |                       |
|----------------------------|-----------------------|
| Specification              | IEC 60512-5-1:2002-02 |
| Tested number of positions | 9                     |

### Insulation resistance

|  |                       |
|--|-----------------------|
| Specification                                | IEC 60512-3-1:2002-02 |
| Insulation resistance, neighboring positions | > 5 MΩ                |

### Air clearances and creepage distances |

|  |                     |
|--|---------------------|
| Specification  | IEC 60664-1:2007-04 |
| Insulating material group                              | I                   |
| Comparative tracking index (IEC 60112)                 | CTI 600             |
| Rated insulation voltage (III/3)                       | 1000 V              |
| Rated surge voltage (III/3)                            | 8 kV                |
| minimum clearance value - non-homogenous field (III/3) | 8 mm                |
| minimum creepage distance (III/3)                      | 12.5 mm             |
| Rated insulation voltage (III/2)                       | 1000 V              |
| Rated surge voltage (III/2)                            | 8 kV                |
| minimum clearance value - non-homogenous field (III/2) | 8 mm                |
| minimum creepage distance (III/2)                      | 8 mm                |
| Rated insulation voltage (II/2)                        | 1000 V              |
| Rated surge voltage (II/2)                             | 8 kV                |
| minimum clearance value - non-homogenous field (II/2)  | 5.5 mm              |
| minimum creepage distance (II/2)                       | 5.5 mm              |

## Environmental and real-life conditions

### Vibration test

|                        |                             |
|------------------------|-----------------------------|
| Specification          | IEC 60068-2-6:2007-12       |
| Frequency              | 10 - 150 - 10 Hz            |
| Sweep speed            | 1 octave/min                |
| Amplitude              | 0.35 mm (10 Hz ... 60.1 Hz) |
| Acceleration           | 5g (60.1 Hz ... 150 Hz)     |
| Test duration per axis | 2.5 h                       |

### Durability test

|  |                       |
|--|-----------------------|
| Specification                                | IEC 60512-9-1:2010-03 |
| Impulse withstand voltage at sea level       | 9.8 kV                |
| Contact resistance $R_1$                     | 0.4 m $\Omega$        |
| Contact resistance $R_2$                     | 0.4 m $\Omega$        |
| Insertion/withdrawal cycles                  | 50                    |
| Insulation resistance, neighboring positions | > 5 M $\Omega$        |

### Climatic test

|                                   |   |
|-----------------------------------|---|
| Specification                     | ISO 6988:1985-02  |
| Corrosive stress                  | 0.2 dm <sup>3</sup> SO <sub>2</sub> on 300 dm <sup>3</sup> /40 °C/1 cycle |
| Thermal stress                    | 105 °C/168 h  |
| Power-frequency withstand voltage | 4.26 kV   |

### Shocks

|                 |                                   |
|-----------------|-----------------------------------|
| Specification   | IEC 60068-2-27:2008-02            |
| Pulse shape     | Semi-sinusoidal                   |
| Acceleration    | 30g                               |
| Shock duration  | 18 ms                             |
| Test directions | X-, Y- and Z-axis (pos. and neg.) |

### Ambient conditions

|   |   |
|---|---|
| Ambient temperature (operation)         | -40 °C ... 105 °C (dependent on the derating curve) |
| Ambient temperature (storage/transport) | -40 °C ... 70 °C                                    |
| Relative humidity (storage/transport)   | 30 % ... 70 %                                       |
| Ambient temperature (assembly)          | -5 °C ... 100 °C                                    |

## Packaging specifications

|                   |                     |
|-------------------|---------------------|
| Type of packaging | packed in cardboard |
|-------------------|---------------------|

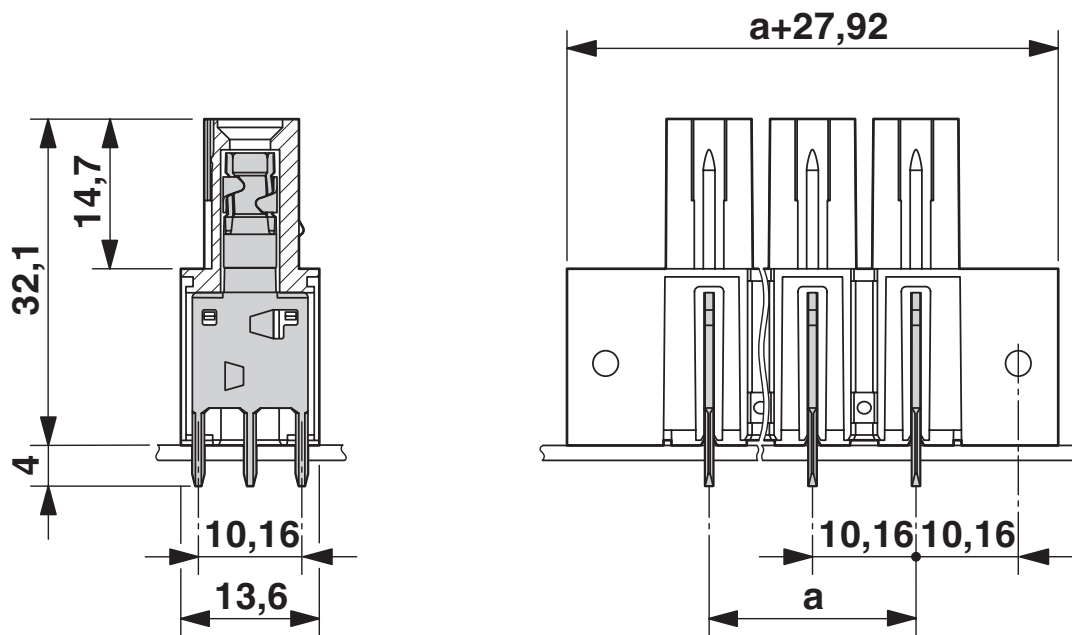
# IPCV 16/ 4-GF-10,16 - PCB header

1969797

<https://www.phoenixcontact.com/pc/products/1969797>

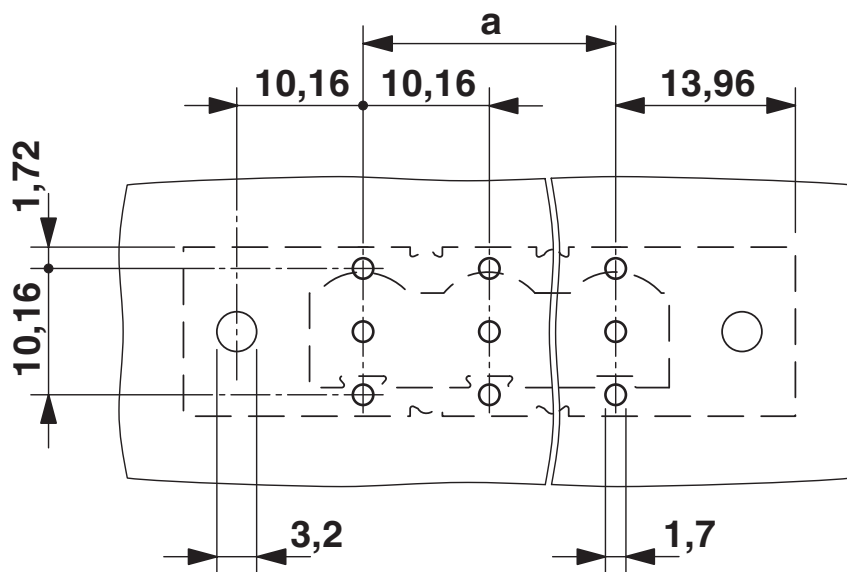
## Drawings

Dimensional drawing



The figure shows the 3-pos. version

Drilling plan/solder pad geometry



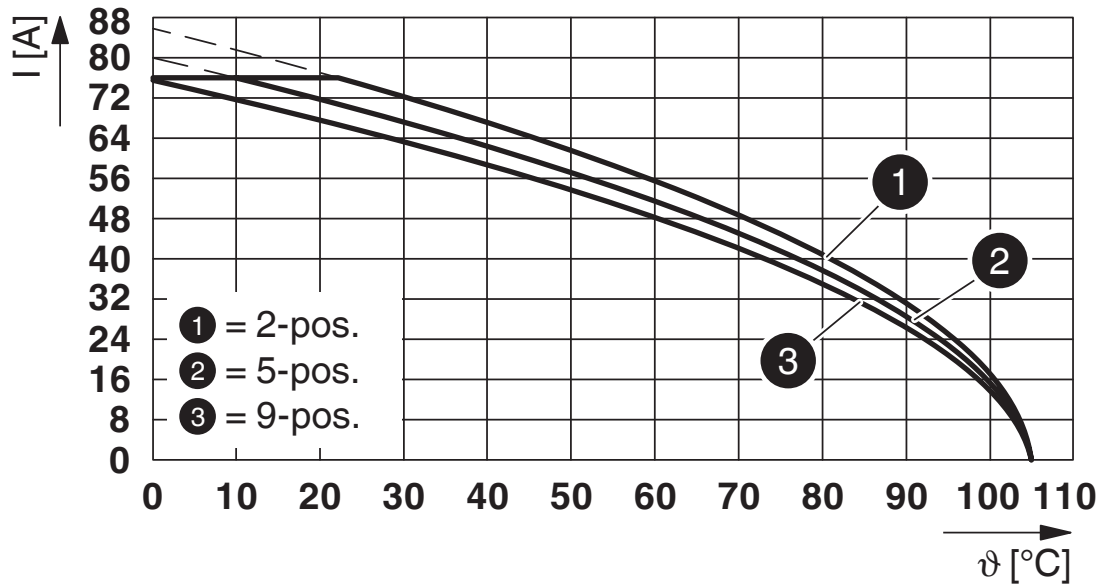
The figure shows the 3-pos. version

# IPCV 16/ 4-GF-10,16 - PCB header

1969797

<https://www.phoenixcontact.com/pc/products/1969797>

Diagram



Type: ISPC 16/...-STF-10,16 with IPCV 16/...-GF-10,16

# IPCV 16/ 4-GF-10,16 - PCB header





1969797

<https://www.phoenixcontact.com/pc/products/1969797>

## Approvals

To download certificates, visit the product detail page: <https://www.phoenixcontact.com/pc/products/1969797>

|  <b>cULus Recognized</b><br>Approval ID: E60425-20040202 |                       |                       |                   |                             |
|---|-----------------------|-----------------------|-------------------|-----------------------------|
|   | Nominal voltage $U_N$ | Nominal current $I_N$ | Cross section AWG | Cross section $\text{mm}^2$ |
| Use group B   | 300 V                 | 66 A                  | -                 | -                           |
| Use group C   | 300 V                 | 66 A                  | -                 | -                           |
| Use group D   | 600 V                 | 5 A                   | -                 | -                           |

|  <b>VDE Zeichengenehmigung</b><br>Approval ID: 40055586 |                       |                       |                   |                             |
|--|-----------------------|-----------------------|-------------------|-----------------------------|
|  | Nominal voltage $U_N$ | Nominal current $I_N$ | Cross section AWG | Cross section $\text{mm}^2$ |
|  | 1000 V                | 76 A                  | -                 | -                           |



# IPCV 16/ 4-GF-10,16 - PCB header



1969797

<https://www.phoenixcontact.com/pc/products/1969797>

## Classifications

### ECLASS

|             |          |
|-------------|----------|
| ECLASS-11.0 | 27460201 |
| ECLASS-12.0 | 27460201 |
| ECLASS-13.0 | 27460201 |

### ETIM

|          |          |
|----------|----------|
| ETIM 9.0 | EC002637 |
|----------|----------|

### UNSPSC

|             |          |
|-------------|----------|
| UNSPSC 21.0 | 39121400 |
|-------------|----------|

# IPCV 16/ 4-GF-10,16 - PCB header



1969797

<https://www.phoenixcontact.com/pc/products/1969797>

## Environmental product compliance

### EU RoHS

|   |                    |
|---|--------------------|
| Fulfills EU RoHS substance requirements | Yes, No exemptions |
|---|--------------------|

### China RoHS

|  |  |
|--|--|
| Environment friendly use period (EFUP) | EFUP-E                                   |
|  | No hazardous substances above the limits |

### EU REACH SVHC

|                                     |                            |
|-------------------------------------|----------------------------|
| REACH candidate substance (CAS No.) | No substance above 0.1 wt% |
|-------------------------------------|----------------------------|

# IPCV 16/ 4-GF-10,16 - PCB header



1969797

<https://www.phoenixcontact.com/pc/products/1969797>

## Accessories

### CP-PC RD - Coding profile

1701967

<https://www.phoenixcontact.com/pc/products/1701967>

Coding profile, for plugging into the coding ribs of the plug at a later date, insulating material, color: Red



---

### SK U/5,0 WH:UNBEDRUCKT - Marker card

0803922

<https://www.phoenixcontact.com/pc/products/0803922>

Marker card, Din A4, white, unlabeled, can be labeled with: PLOTMARK, CMS-P1-PLOTTER, Office printing systems, mounting type: adhesive, for terminal block width: 210 mm, lettering field size: 186 x 5 mm, Number of individual labels: 630



# IPC 16/ 4-GF-10,16 - PCB header

1969797

<https://www.phoenixcontact.com/pc/products/1969797>



## IPC 16/ 4-STF-10,16 - PCB connector

1969470

<https://www.phoenixcontact.com/pc/products/1969470>

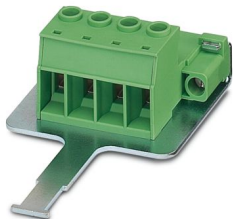


PCB connector, nominal cross section: 16 mm<sup>2</sup>, color: green, nominal current: 76 A, rated voltage (III/2): 1000 V, contact surface: Silver, contact connection type: Pin, number of potentials: 4, number of rows: 1, number of positions: 4, number of connections: 4, product range: IPC 16/..-STF, pitch: 10.16 mm, connection method: Screw connection with tension sleeve, screw head form: L Slotted, conductor/PCB connection direction: 0 °, locking clip: - without locking clip, plug-in system: COMBICON PC 16, locking: Screw locking mechanism, mounting: Screw flange, type of packaging: packed in cardboard

## IPC 16/ 4-STF-SH-10,16 - PCB connector

1970346

<https://www.phoenixcontact.com/pc/products/1970346>



PCB connector, nominal cross section: 16 mm<sup>2</sup>, color: green, nominal current: 76 A, rated voltage (III/2): 1000 V, contact surface: Silver, contact connection type: Pin, number of potentials: 4, number of rows: 1, number of positions: 4, number of connections: 4, product range: IPC 16/..-STF-SH, pitch: 10.16 mm, connection method: Screw connection with tension sleeve, screw head form: L Slotted, conductor/PCB connection direction: 0 °, locking clip: - without locking clip, plug-in system: COMBICON PC 16, locking: Screw locking mechanism, mounting: Screw flange, type of packaging: packed in cardboard

# IPCV 16/ 4-GF-10,16 - PCB header

1969797

<https://www.phoenixcontact.com/pc/products/1969797>



## ISPC 16/ 4-STF-10,16 - PCB connector

1748642

<https://www.phoenixcontact.com/pc/products/1748642>



PCB connector, nominal cross section: 16 mm<sup>2</sup>, color: green, nominal current: 76 A, rated voltage (III/2): 1000 V, contact surface: Silver, contact connection type: Pin, number of potentials: 4, number of rows: 1, number of positions: 4, number of connections: 4, product range: ISPC 16/...STF, pitch: 10.16 mm, connection method: Push-in spring connection, conductor/PCB connection direction: 0 °, locking clip: - without locking clip, plug-in system: COMBICON PC 16, locking: Screw locking mechanism, mounting: Screw flange, type of packaging: packed in cardboard

---

Phoenix Contact 2024 © - all rights reserved

<https://www.phoenixcontact.com>

PHOENIX CONTACT GmbH & Co. KG

Flachsmarktstraße 8

D-32825 Blomberg

+49 (0) 5235-3 00

[info@phoenixcontact.com](mailto:info@phoenixcontact.com)