



NEMA Motor Data

Ordering data : **1LE2221-4BA21-2AA3**

Client order no. :
Order no. :
Offer no. :
Remarks :

Item no. :
Consignment no. :
Project :

Nameplate Data	Mounting and motor protection
----------------	-------------------------------

Type	GP100 - NEMA Premium Efficiency		
HP	100.0	Rating	Cont.
Voltage	(12) 460V STD, 60Hz	Ins. Class	Class F (Standard)
Amps	108.0 A	S.F.	1.15
FL RPM	3570	Amb. Temp.	40 deg C
FL Efficiency	94.1 %	Temp. Rise	Class B
FRAME	405TS	kVA Code	G
DE AFBMA	80BC03JP30	NEMA Des	B
ODE AFBMA	70BC02JPP30	Mtr WT	1012.02
60 Hertz	3 Ph	TEFC	IP 54

Type of construction	(A) Foot mounted - End shield
Motor protection	(A) No winding protection
Terminal box design	(3) Mounting - F-1

Bearing Data		
--------------	--	--

	DE	ODE
Bearing Size	6316 Z C3 S0	6214 ZZ C3 S0
Bearing Type	Ball Bearing	Ball Bearing
AFBMA	80BC03JP30	70BC02JPP30

Typical Performance Data					
--------------------------	--	--	--	--	--

Load	No Load	1/2	3/4	Full Load	LRC
Efficiency		94.6 %	94.7 %	94.1 %	
Power Factor		89.0	91.0	92.0	
Current (A)	19.0 A	55.6 A	81.5 A	108.0 A	725.0 A
Inverter Duty	VT	20:1	CT	4:1	

Mechanical Data				
-----------------	--	--	--	--

SAFE STALL TIME	HOT (s)	25	COLD (s)	45
Rtr wt (lbs)	203.85	Rtr WK2	12.6	
FLT (lb-ft)	147.000	LRT	120	BDT 200
Ext Load Inertia (WK2) Capability	105.0 lb-ft ²			

Typical Noise Data									
--------------------	--	--	--	--	--	--	--	--	--

A-weighted Sound	Octave Band Center Frequencies Hertz (Hz)								
Pressure Level	125	250	500	1000	2000	4000	8000	SPL	80
at 3 feet	51	67	72	74	74	72	61	SPwrL	91

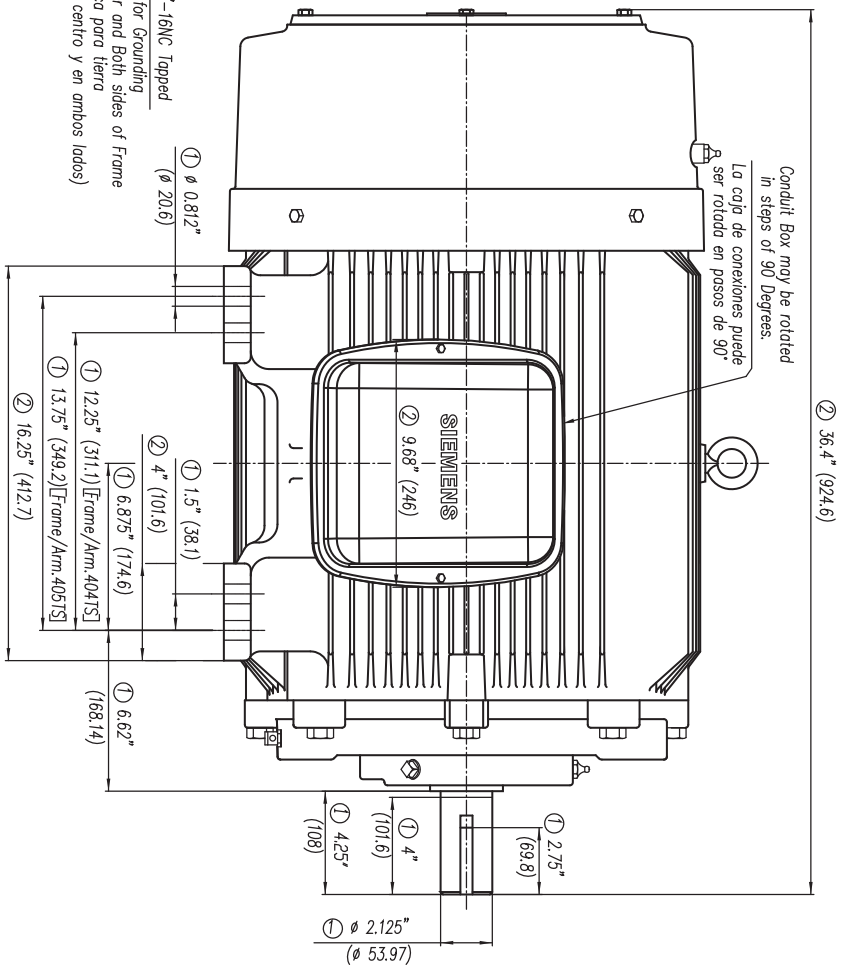
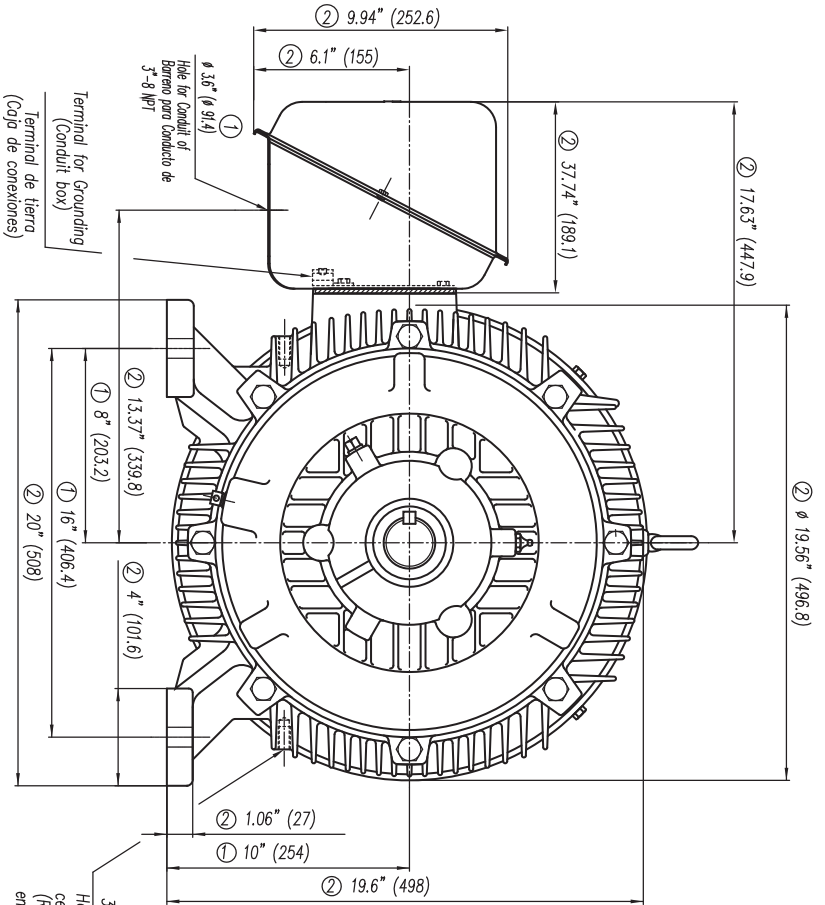
Wiring Connection Information					
-------------------------------	--	--	--	--	--

Description	3 PHASE - 3 LEAD - DELTA				
Voltage	L1	L2	L3	Connected together	
-----	-----	-----	-----	-----	-
-----	T1	T2	T3	-----	Δ

Special design :

Lubrication Information	
-------------------------	--

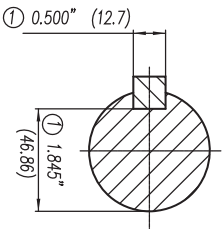
Manufacturer	Mobil Polyrex EM or equal
Type	Polyurea (standard)
DE Capacity (oz.)	7.50
ODEnd Capacity (oz.)	6.70



- ① Tolerances According to NEMA Std.
- ② All these dimensions corresponding to assemblies and castings shall have a tolerance as per DIN standard 1686-GTB-19.
- ③ Not According to NEMA Std.

- ① Tolerancias acorde a NEMA Std.
- ② Todos estas dimensiones correspondientes a ensambles y fundición en bruto tendrán una tolerancia según DIN 1686-GTB-19.
- ③ No Acorde a NEMA Std.

CERTIFIED PRINT/CERTIFICACION			
CUSTOMER/CLIENTE			
PROY/PROEN COMP/MA	SIW/SIWIEN CLIENTE/F		
REP	REP	FRAME/ARMA	TYPE/TIPO
		VALS	PHV/FAS
			HZ



Keyseat detail
Detalle Cuñero

Tol. in mm. acc. to/Tol. en mm. según DIN-1686-GTB-19	18	± 4.5
18	± 4.7	
30	± 5	
50	± 5.5	
80	± 6	
120	± 6.5	
180	± 7	
250	± 7.5	
315	± 8	
400	± 8.5	
500	± 9.5	
630	± 10	

European Projection/Proyección Europea	Modific.
Dim. in inches/Dim. en pulg.	
Drawn/Elab. 08/04/10	A. Perez
Check/Rev. 08/04/10	A. Real
Stad/Ord/Art	

SIEMENS
GUADALAJARA FACTORY

Outline/Dimensiones
New NEMA Motors (TS) Short Shaft/ Espigas Corta
Type/ Tipo: GP10 Y GP100 404/405TS FRAME (Foot & mIP)

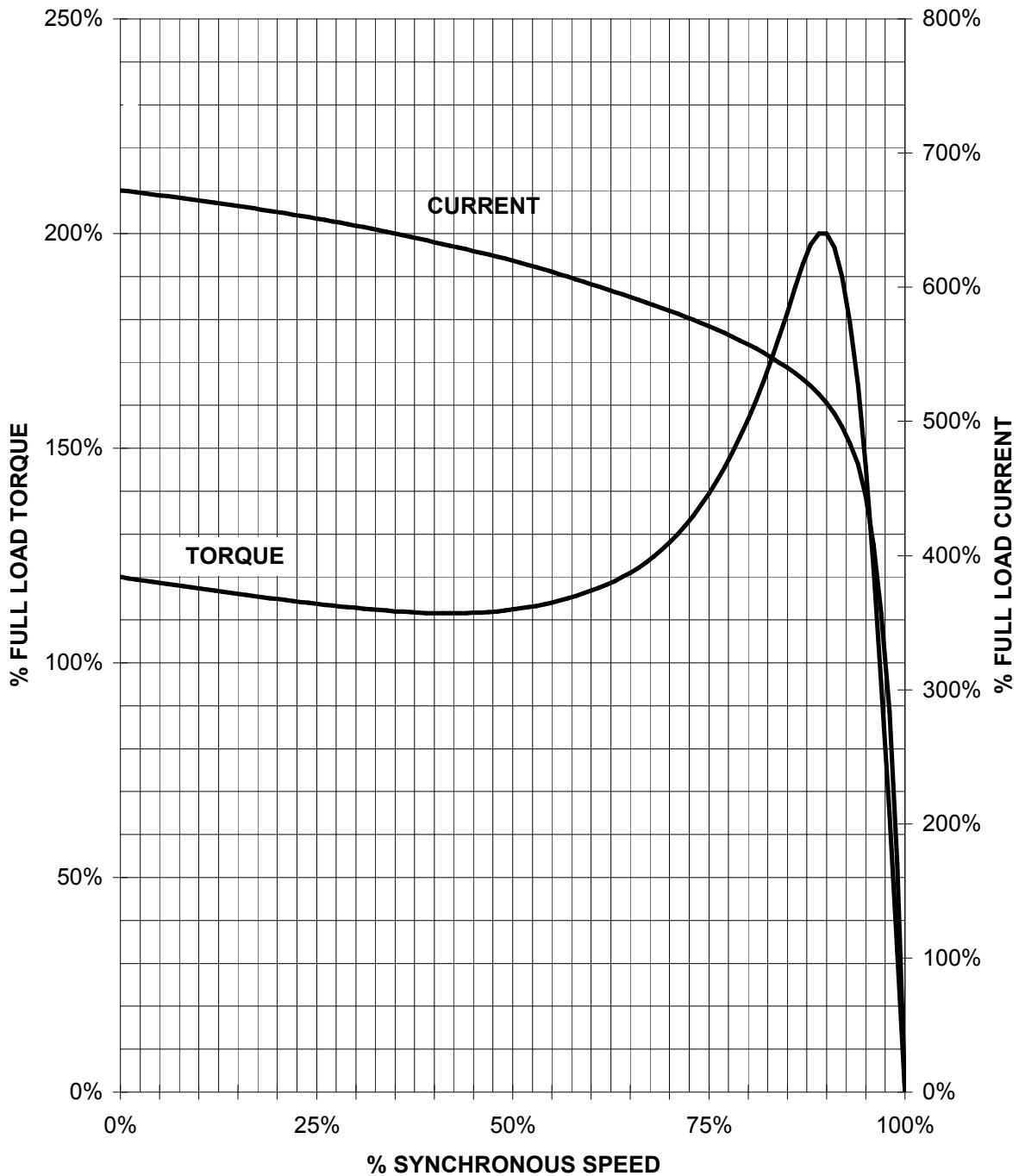
3MSE 740 0605 a)

Scale/Escala W/O Sin

SIEMENS INDUSTRY, INC.

HP 100 VOLTS < 600V RPM 3600 TYPE GP100
HZ 60 PHASE 3 FRAME 405TS NEMA B

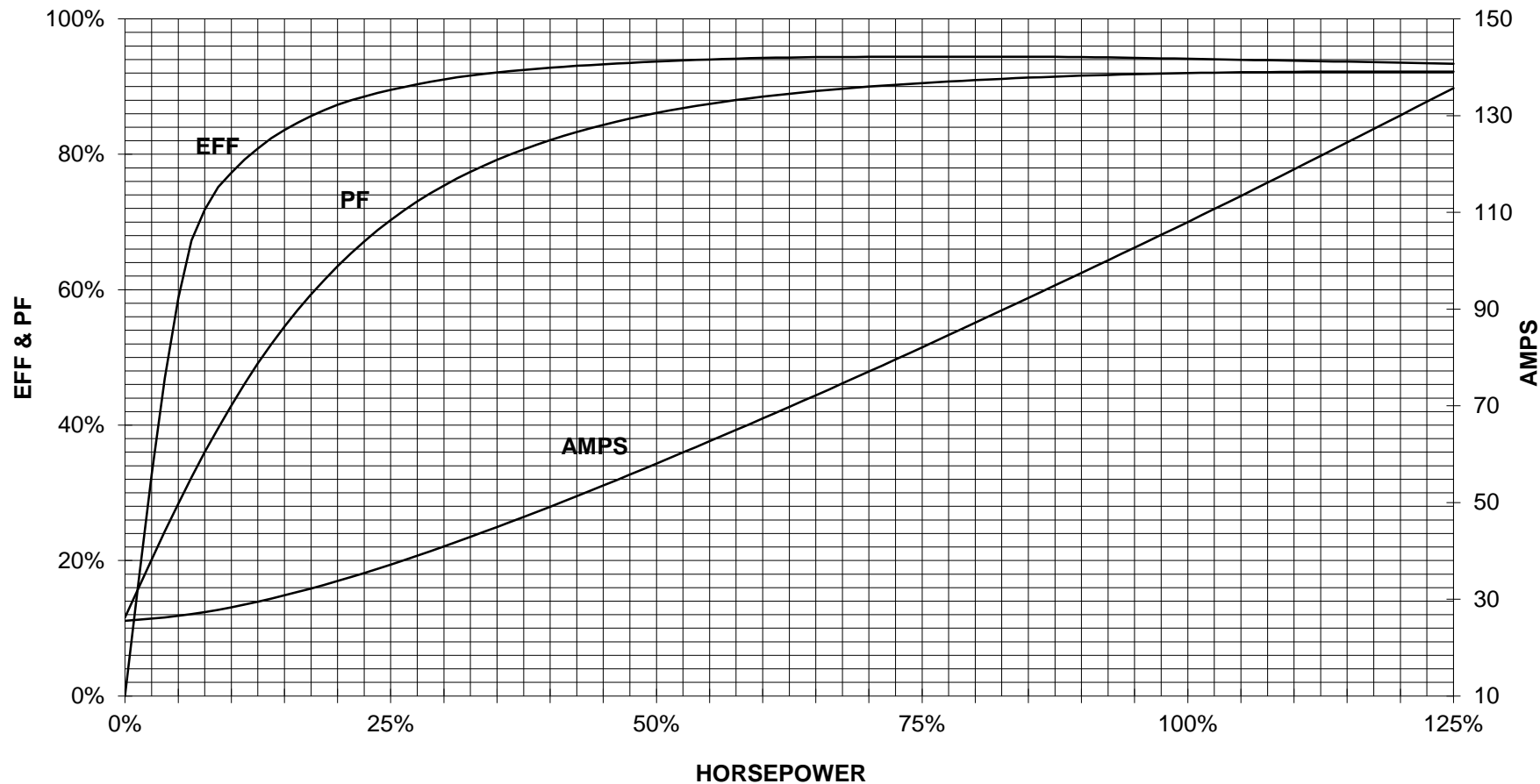
TORQUE & CURRENT VS. SPEED



CUSTOMER: _____ ORDER#: _____

100 HP 3600 RPM 405TS FRAME 460 VOLTS 3 PHASE NEMA DESIGN B

SIEMENS INDUSTRY, INC.
PERFORMANCE CURVE
GP100



CUSTOMER: _____ ORDER #: _____

PERFORMANCE BASED ON DESIGN CALCULATIONS. SUBJECT TO CHANGE WITHOUT NOTICE.

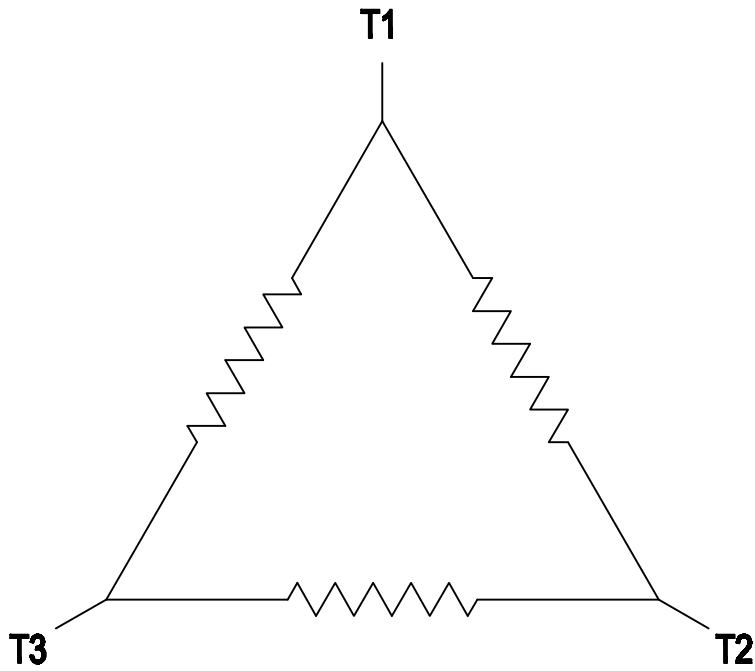
REV. 1

2

1

3 PHASE - 3 LEADS - DELTA

L1	L2	L3	CONN.
T1	T2	T3	△



B

B

A

A

THIS IS A CAD DRAWING
DO NOT MAKE MANUAL CHANGES

01 | 09-27-07

TYPE

-CONFIDENTIAL-

PROPERTY OF

Siemens Energy & Automation, Inc.
Industrial Motor Division - Little Rock, AR

FRAME

HP

NAME

WIRING DIAGRAM

VOLTS

RPM

HZ

PH

3

Customer

DRAWN 9.24.07

DATE JRH

CHECKED

DATE

APP

DATE

SHEET

1 OF 1

Sim. To

PART NO.

51-382-114-504

A

2

1