



III.sel.switch act.,2 pos.,white

Part no.

M22-WRLK-W

Article no.

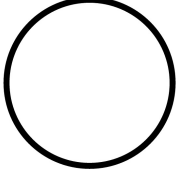
216823



Bezel gold-plated →#274150

Stay-put/spring-return function, can be changed with coding parts M22-XC-Y Engineering

### Delivery programme



Range			RMQ-Titan (drilling dimensions 22.5 mm)
Basic function			Illuminated selector switch actuator
Single unit/Complete unit			Single unit
Description			Two positions Stay-put/spring-return function, can be changed with coding parts M22-XC-Y
Function			maintained ↓ right: 60°
Design			With thumb-grip
Colour			
			
			White
Protection type			IP66
Front ring			Front ring: titanium
Connection to SmartWire-DT			yes

### Approbationen

Product Standards  
UL File No.  
UL CCN  
CSA File No.  
CSA Class No.  
NA Certification  
Degree of Protection

IEC/EN 60947-5; UL 508; CSA-C22.2 No. 14-05; CSA-C22.2 No. 94-91; CE marking  
E29184  
NKCR  
012528  
3211-03  
UL Listed, CSA certified  
UL/CSA Type 3R, 4X, 12, 13

### General

Standards			IEC/EN 60947 VDE 0660
Lifespan, mechanical	Operations	$\times 10^6$	> 0.1
Operating frequency	Operations/h		 2000
Operating torque		Nm	 0.3
Protection type			IP66
Climatic proofing			Damp heat, constant to IEC 60068-2-78 Damp heat, cyclic to IEC 60068-2-30
Ambient temperature		°C	
Open		°C	- 25 - + 70
Mounting position			As required
Mechanical shock resistance		g	30 Shock duration 11 ms Sinusoidal according to IEC 60068-2-27

### Technische Daten nach ETIM 4.0

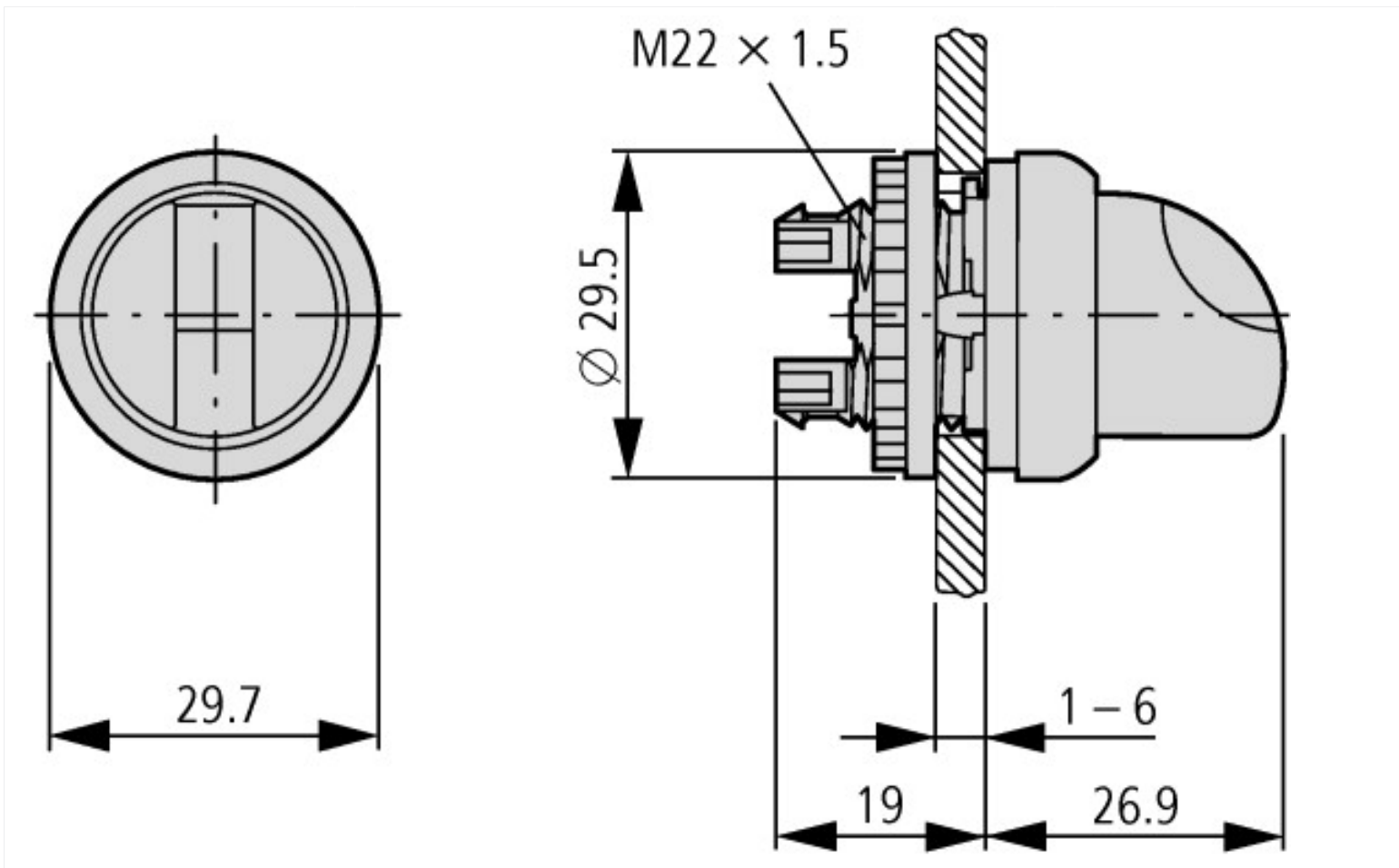
Color bezel			Chrome
Suitable for illumination			YES
Lens design			Round
Protection type (IP), at front			IP66
Material front ring			Insulated material
Momentary			No
Number of switch positions			2
Color actuator			white
Hole diameter		mm	22
With bezel			YES
Width of opening		mm	22
Height meter opening		mm	6

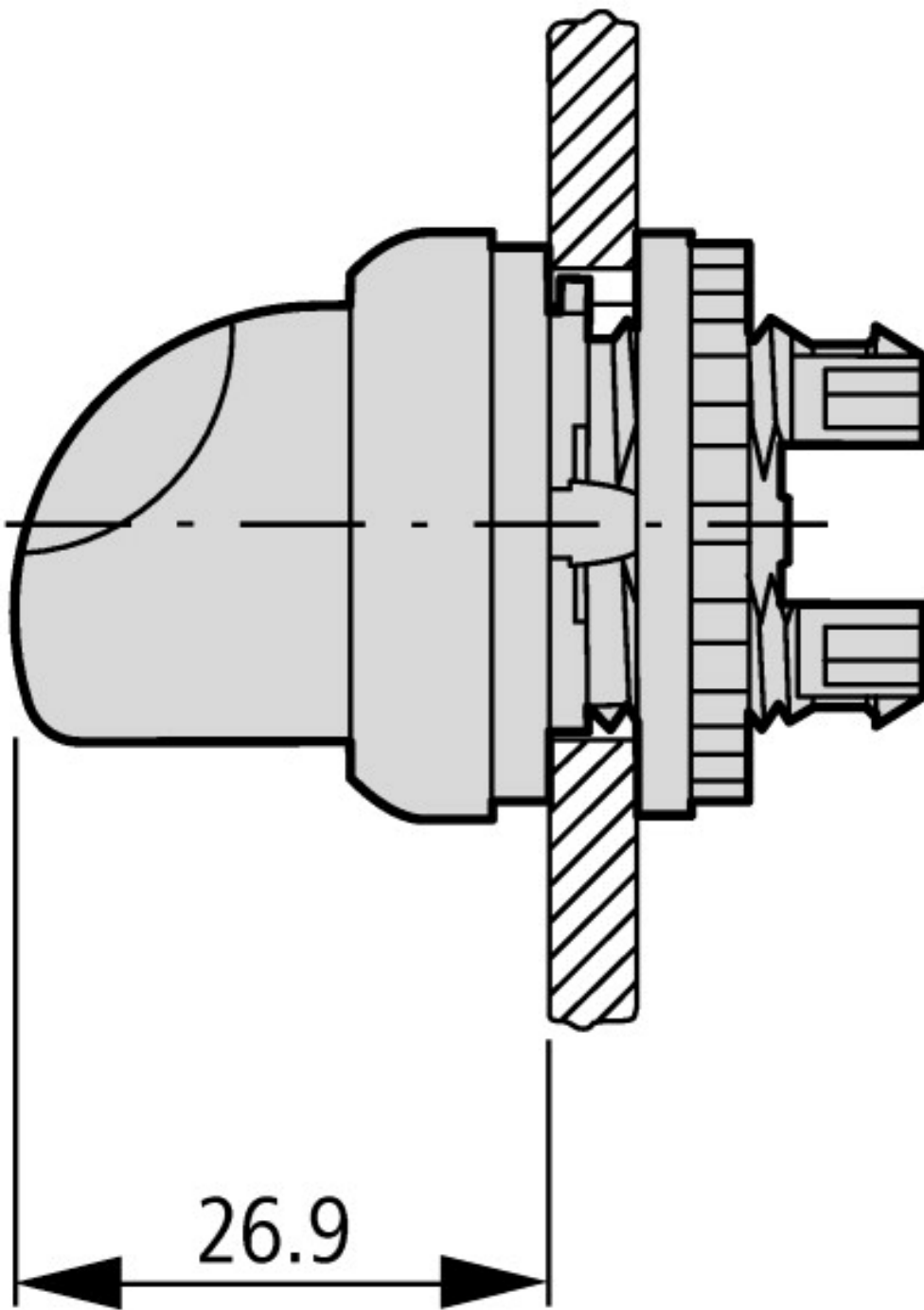
## CAD-Daten

Product standards CAD data:

<http://eaton-moeller.partcommunity.com>

## Dimensions





**Additional product information (links)**

AWA1160-1745 (IL04716002Z) The RMQ-Titan system

[ftp://ftp.moeller.net/DOCUMENTATION/AWA\\_INSTRUCTIONS/17450510.pdf](ftp://ftp.moeller.net/DOCUMENTATION/AWA_INSTRUCTIONS/17450510.pdf)