

## Emerg.stop/switch.off key release MS1

Part no. M22-PVS

Article no. 216879

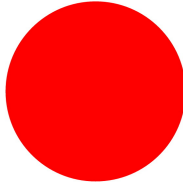


with 1 key

Release by using the key



### Delivery programme

Range			RMQ-Titan (drilling dimensions 22.5 mm)
Basic function			Emergency stop buttons
Accessories			Emergency stop / emergency switching off pushbutton
Description			Individual lock mechanism MS1 Not suitable for master key systems
Construction type			Mushroom-shaped
Illumination			Without illumination
Diameter		mm	38
Colour mushroom head			Red
Colour mushroom head			
RAL Value			RAL 3000
Front ring			Bezel: Silver
Information about equipment supplied			With one key
Connection to SmartWire-DT			yes
Instructions			Release by turning with key

Notes



### Approbationen

Product Standards  
UL File No.  
UL CCN  
CSA File No.  
CSA Class No.  
NA Certification  
Degree of Protection

IEC/EN 60947-5; UL 508; CSA-C22.2 No. 14-05; CSA-C22.2 No. 94-91; CE marking  
E29184  
NKCR  
012528  
3211-03  
UL Listed, CSA certified  
UL/CSA Type 3R, 4X, 12, 13

### General

Standards			IEC/EN 60947 VDE 0660
Lifespan, mechanical	Operations	$\times 10^6$	> 0.1
Operating frequency	Operations/h		$\leq 600$
Actuating force		n	50
Protection type			IP67, IP69K
Climatic proofing			Damp heat, constant to IEC 60068-2-78

Ambient temperature		°C	Damp heat, cyclic to IEC 60068-2-30
Open		°C	- 25 - + 70
Mounting position			As required
Mechanical shock resistance		g	50 Shock duration 11 ms Sinusoidal according to IEC 60068-2-27

### Technische Daten nach ETIM 4.0

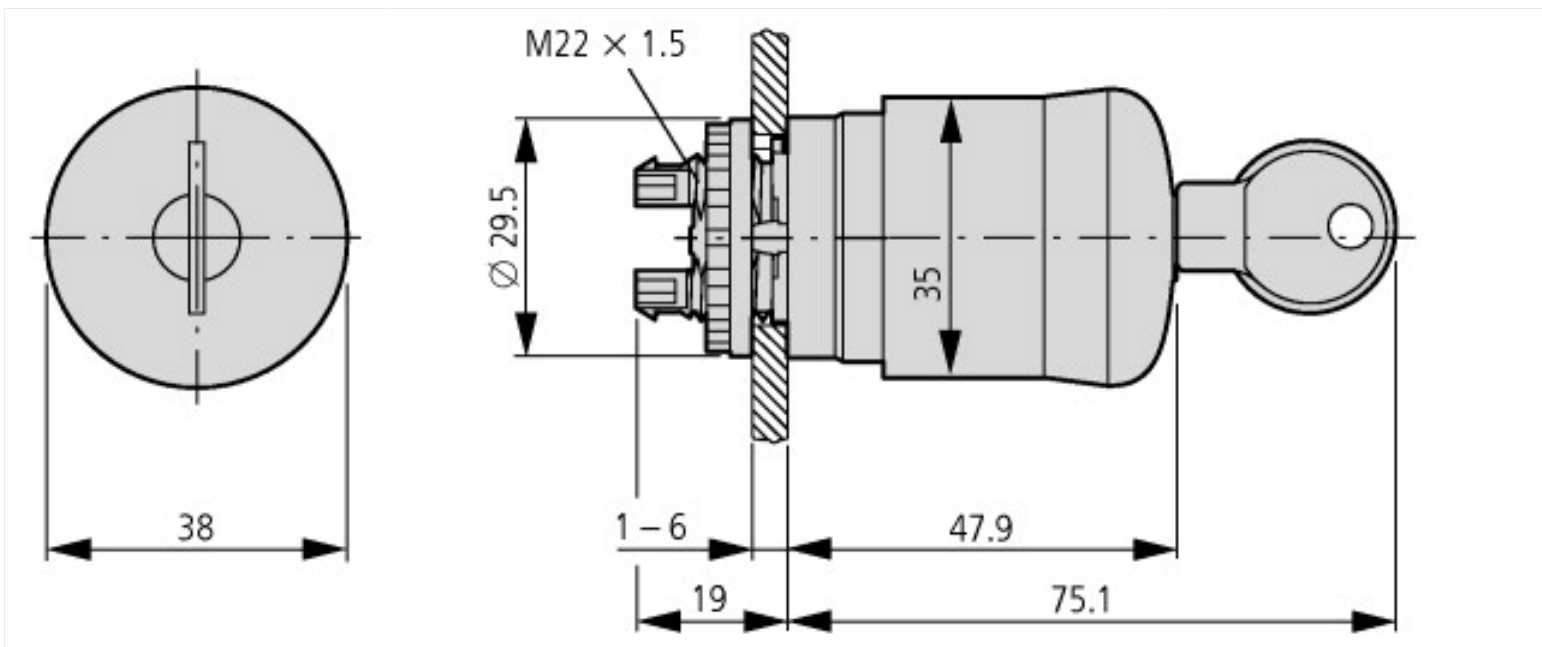
With bezel			No
Unlocking method			Key-release
Lens design			Round
Suitable for illumination			No
Hole diameter		mm	22
Suitable for emergency switching off			YES
Color button			red
Color bezel			Chrome
Width of opening		mm	22
Height meter opening		mm	6
Protection type (IP)			IP67
Material front ring			Insulated material
Diameter cap		mm	38
Momentary			No
Switching function latching			YES
Design of button			flush

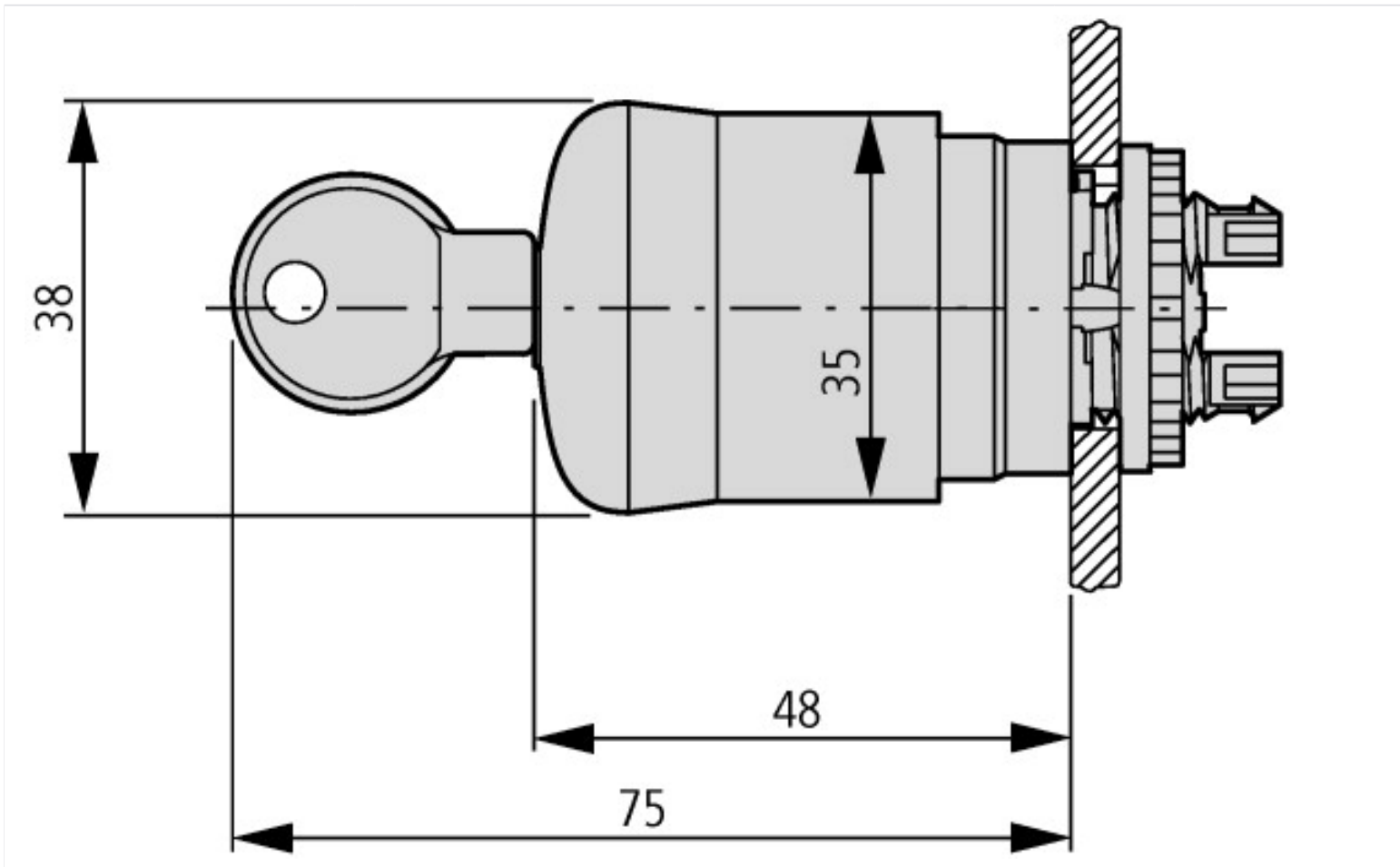
### CAD-Daten

Product standards CAD data:

<http://eaton-moeller.partcommunity.com>

### Dimensions





**Additional product information (links)**

AWA1160-1745 (IL04716002Z) The RMQ-Titan system

[ftp://ftp.moeller.net/DOCUMENTATION/AWA\\_INSTRUCTIONS/17450510.pdf](ftp://ftp.moeller.net/DOCUMENTATION/AWA_INSTRUCTIONS/17450510.pdf)