

Insulating surround

Part no.

NZM1-XBR

Article no.

260195



For toggle lever, rotary handle with rotary drive and remote operator.

Degree of protection IP40

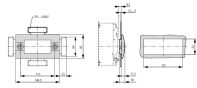
Delivery programme

| | | |
|---|--|--|
| | | Insulating surround |
| | | For toggle lever, rotary handle with rotary drive and remote operator. |
| | | Degree of protection IP40 |
| For use with | | NZM1(-4) PN1(-4), N(S)1(-4) |
| Notes | | |
| For oblong cut-out on doors and enclosures with material thicknesses of 1.5 - 5 mm. | | |
| External warning plate/designation label can be clipped on | | |
| NZM4-XBR cannot be combined with rotary handle with rotary drive. | | |

Approbationen

Product Standards
UL File No.
UL CCN
CSA File No.
CSA Class No.
NA Certification

UL489; CSA-C22.2 No. 5-09; IEC60947, CE marking
E140305
DIHS
022086
1437-01
UL Listed, CSA certified

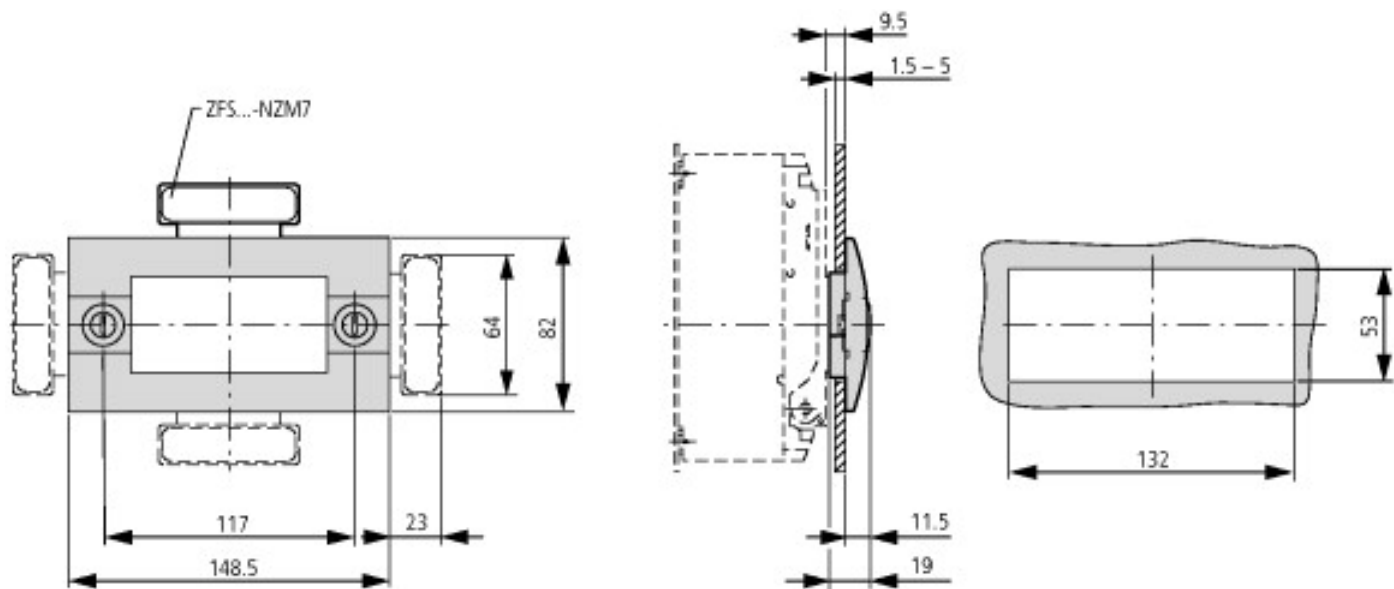


1 Mounting aperture

Technische Daten nach ETIM 4.0

| | | | |
|-----------------------------|--|----|--------------------|
| Width | | mm | 148.5 |
| Design | | | Flush mounting |
| Height | | mm | 82 |
| Depth | | mm | 19 |
| With transparent cover | | | No |
| Suitable for emergency stop | | | No |
| Housing material | | | Insulated material |
| Degree of protection (IP) | | | IP40 |

Dimensions



① Mounting aperture

Additional product information (links)

IL01219011Z (AWA1230-1985) insulating surround BG1, BG2

ftp://ftp.moeller.net/DOCUMENTATION/AWA_INSTRUCTIONS/IL01219011Z2010_11.pdf