

Rear connection 3 poles

Part no. NZM3-XKR

Article no. 266792



not UL/CSA approved

Delivery programme

Rated current	I_n	A	Cu 630, Al 500
For use with			
For use with			NZM3(-4), PN3(-4), N3(-4)
For use with			Three- and four-pole
Terminal capacities			
Type of conductor			
Cu/Al cable			Cu cable Cu cable
Terminal capacities			
flexible		mm^2	1 x 16 - 240 2 x 16 - 240

Notes

Type suffix and type contain parts for a circuit-breaker side at top or bottom for 3 or 4-pole circuit-breakers.

0 = for fitting at the top

U = for fitting at the bottom

Notes

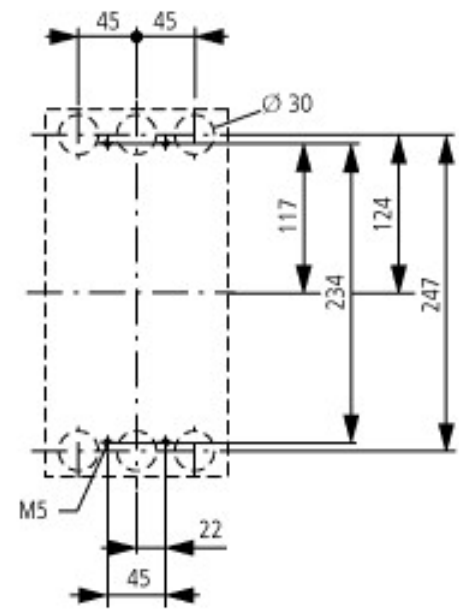
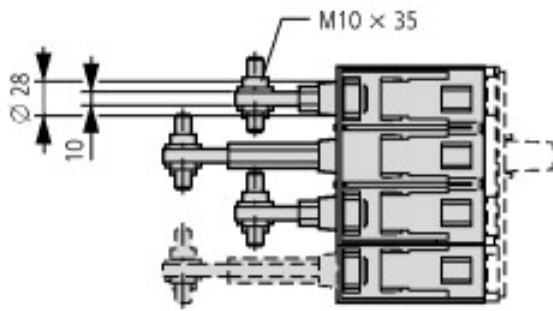
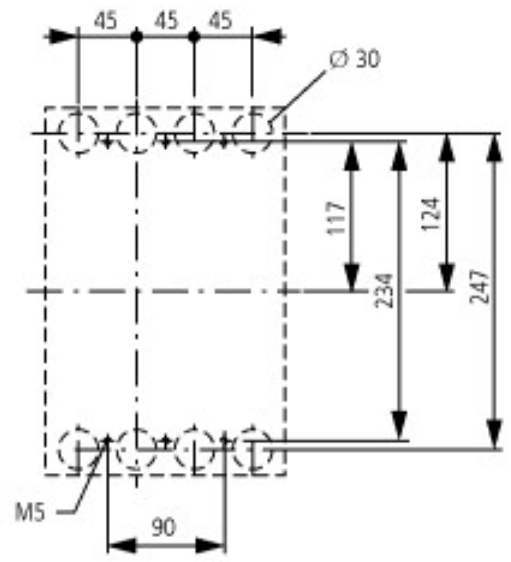
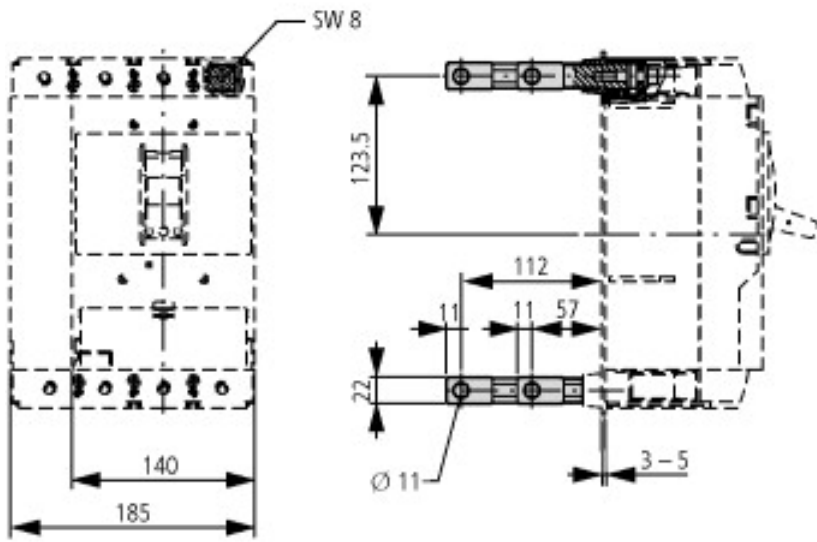
The following applies for the rated current: The values have been determined conform to IEC/EN 60947 (switchgear standard) and generally relate to the max. defined cross-sections and are intended for the purpose of orientation.

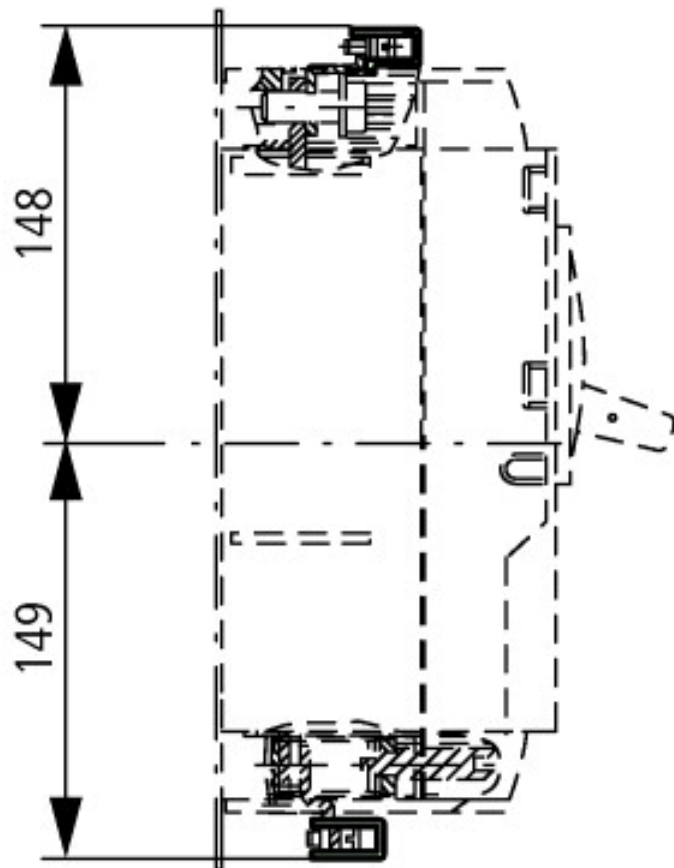
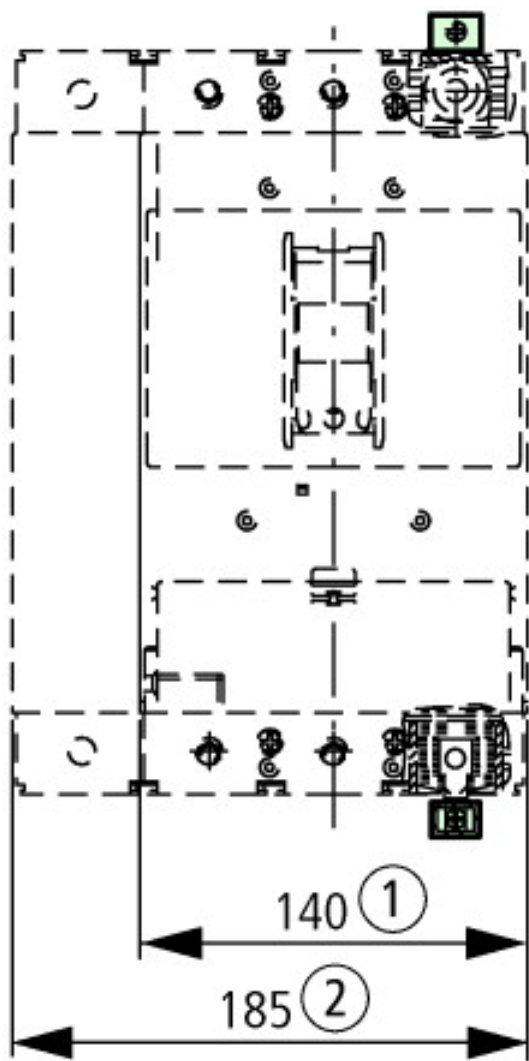
The engineering standards which apply in each case must be observed.

Technische Daten nach ETIM 4.0

Suitable for number of poles			3
Type			-

Dimensions





Additional product information (links)

[AWA1230-2044 \(IL01219048Z\) Connection on rear](#)

ftp://ftp.moeller.net/DOCUMENTATION/AWA_INSTRUCTIONS/20441102.pdf