

AXL F AI2 AO2 1H - Analog module



2702072

<https://www.phoenixcontact.com/pc/products/2702072>

Please be informed that the data shown in this PDF document is generated from our online catalog. Please find the complete data in the user documentation. Our general terms of use for downloads are valid.



Axioline F, Analog I/O module, Analog inputs: 2, 0 V ... 5 V, -5 V ... 5 V, 0 V ... 10 V, -10 V ... 10 V, 0 mA ... 20 mA, 4 mA ... 20 mA, -20 mA ... 20 mA, connection technology: 2-conductor, Analog outputs: 2, 0 V ... 5 V, -5 V ... 5 V, 0 V ... 10 V, -10 V ... 10 V, 0 mA ... 20 mA, 4 mA ... 20 mA, -20 mA ... 20 mA, connection technology: 2-conductor, transmission speed in the local bus: 100 Mbps, degree of protection: IP20, including bus base module and Axioline F connectors

Product description

The module is designed for use within an Axioline F station. It is used to acquire and output analog voltage and current signals.

Your advantages

- 2 analog differential input channels
- Connection of sensors in 2-conductor technology
- Current ranges: 0 mA ... 20 mA, 4 mA ... 20 mA, ± 20 mA
- Voltage ranges: 0 V ... 10 V, ± 10 V, 0 V ... 5 V, ± 5 V
- 2 analog outputs
- Connection of actuators in 2-conductor technology
- Current ranges: 0 mA ... 20 mA, 4 mA ... 20 mA, ± 20 mA
- Voltage ranges: 0 V ... 10 V, ± 10 V, 0 V ... 5 V, ± 5 V
- Process data update < 150 μ s
- Device rating plate stored

Commercial data

Item number	2702072
Packing unit	1 pc
Minimum order quantity	1 pc
Product key	DRI245
Catalog page	Page 84 (C-6-2019)
GTIN	4046356933124
Weight per piece (including packing)	196 g
Weight per piece (excluding packing)	190 g
Customs tariff number	85389091
Country of origin	DE

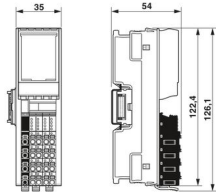
AXL F AI2 AO2 1H - Analog module

2702072

<https://www.phoenixcontact.com/pc/products/2702072>

Technical data

Dimensions

Dimensional drawing	
Width	35 mm
Height	126.1 mm
Depth	54 mm
Note on dimensions	The depth applies when a TH 35-7.5 DIN rail is used (in accordance with EN 60715).

Interfaces

Axioline F local bus

Number of interfaces	2
Connection method	Bus base module
Transmission speed	100 Mbps

System properties

Module

Input address area	4 Byte
Output address area	4 Byte
Required parameter data	11 Byte
Required configuration data	7 Byte

Input data

Analog

Input name	Analog inputs
Description of the input	Differential inputs, voltage or current can be chosen separately
Number of inputs	2
A/D conversion time	2 μ s
A/D converter resolution	16 bit
Connection method	Push-in connection
Connection technology	2-conductor
Note regarding the connection technology	shielded, twisted pair
Current input signal	0 mA ... 20 mA 4 mA ... 20 mA -20 mA ... 20 mA
Input resistance current input	104 Ω (typical)

AXL F AI2 AO2 1H - Analog module



2702072

<https://www.phoenixcontact.com/pc/products/2702072>

Voltage input signal	0 V ... 5 V
	-5 V ... 5 V
	0 V ... 10 V
	-10 V ... 10 V
Input resistance of voltage input	268 kΩ (typical)
Data formats	IB IL, S7-compatible, standardized representation
Input filter	30 Hz, 12 kHz and mean-value generation (can be parameterized)
Limit frequency (3 dB)	30 Hz
	12 kHz
Common mode voltage range signal - ground	-50 V DC ... 50 V DC
Measured value representation	16 bits (15 bits + sign bit)
Protective circuit	Transient protection of inputs; Suppressor diode
	Overload protection of the current inputs; No; ± 5.2 V DC, maximum, $I_{max} = 50$ mA
	Overload protection of the voltage inputs; ± 30 V DC, maximum

Output data

Analog

Output name	Analog outputs
Connection method	Push-in connection
Connection technology	2-conductor
Note regarding the connection technology	shielded, twisted pair
Number of outputs	2
D/A converter resolution	16 bit
Protective circuit	Short-circuit and overload protection; electronic
	Transient protection; Suppressor diode
Data formats	IB IL, S7-compatible, standardized representation
Representation of output values	16 bits (15 bits + sign)
Process data update	150 μs
Current output signal	0 mA ... 20 mA
	4 mA ... 20 mA
	-20 mA ... 20 mA
Load/output load current output	$\leq 500 \Omega$
Voltage output signal	0 V ... 5 V
	-5 V ... 5 V
	0 V ... 10 V
	-10 V ... 10 V
Load/output load voltage output	$\geq 2 \text{ k}\Omega$

Product properties

Type	block modular
Product type	I/O component
Product family	Axioline F

AXL F AI2 AO2 1H - Analog module



2702072

<https://www.phoenixcontact.com/pc/products/2702072>

Mounting position	any (no temperature derating)
Scope of delivery	including bus base module and Axioline F connectors
Insulation characteristics	
Overvoltage category	II (IEC 60664-1, EN 60664-1)
Pollution degree	2 (IEC 60664-1, EN 60664-1)

Electrical properties

Potentials

Power consumption	typ. 1.56 W (at U_{BUS} and U_A)
	max. 2.67 W (at U_{BUS} and U_A)

Potentials: Axioline F local bus supply (U_{BUS})

Supply voltage	5 V DC (via bus base module)
Current draw	max. 150 mA
	typ. 120 mA
Power consumption	max. 0.75 W
	typ. 0.6 W

Potentials: Supply for analog modules (U_A)

Supply voltage	24 V DC
Supply voltage range	19.2 V DC ... 30 V DC (including all tolerances, including ripple)
Current draw	max. 80 mA (2 current channels, 24 mA output, 500 Ω load)
	typ. 40 mA
	max. 60 mA (2 voltage channels, 10 V output, 2 k Ω load)
Power consumption	max. 1.92 W
Protective circuit	Surge protection; electronic (35 V, 0.5 s)
	Reverse polarity protection; Polarity protection diode
	Transient protection; Suppressor diode

Electrical isolation/isolation of the voltage ranges

Test voltage: 5 V supply of the local bus (U_{BUS}) / 24 V supply (I/Os)	500 V AC, 50 Hz, 1 min.
Test voltage: 5 V supply of the local bus (U_{BUS}) / analog inputs and outputs	500 V AC, 50 Hz, 1 min.
Test voltage: 5 V supply of the local bus (U_{BUS}) / functional ground	500 V AC, 50 Hz, 1 min.
Test voltage: 24 V supply (I/O) / analog inputs and outputs	500 V AC, 50 Hz, 1 min.
Test voltage: 24 V supply (I/O) / functional ground	500 V AC, 50 Hz, 1 min.
Test voltage: Analog inputs and outputs/functional ground	500 V AC, 50 Hz, 1 min.

Connection data

Connection technology

Connection name	Axioline F connector
Note on the connection method	Please observe the information provided on conductor cross sections in the "Axioline F: system and installation" user manual.

AXL F AI2 AO2 1H - Analog module



2702072

<https://www.phoenixcontact.com/pc/products/2702072>

Conductor connection

Connection method	Push-in connection
Conductor cross section rigid	0.2 mm ² ... 1.5 mm ²
Conductor cross section flexible	0.2 mm ² ... 1.5 mm ²
Conductor cross section AWG	24 ... 16
Stripping length	8 mm

Axioline F connector

Connection method	Push-in connection
Note on the connection method	Please observe the information provided on conductor cross sections in the "Axioline F: system and installation" user manual.
Conductor cross section, rigid	0.2 mm ² ... 1.5 mm ²
Conductor cross section, flexible	0.2 mm ² ... 1.5 mm ²
Conductor cross section AWG	24 ... 16
Stripping length	8 mm

Environmental and real-life conditions

Ambient conditions

Ambient temperature (operation)	-25 °C ... 60 °C
Degree of protection	IP20
Air pressure (operation)	70 kPa ... 106 kPa (up to 3000 m above sea level)
Air pressure (storage/transport)	70 kPa ... 106 kPa (up to 3000 m above sea level)
Ambient temperature (storage/transport)	-40 °C ... 85 °C
Permissible humidity (operation)	5 % ... 95 % (non-condensing)
Permissible humidity (storage/transport)	5 % ... 95 % (non-condensing)

Standards and regulations

Protection class	III (IEC 61140, EN 61140, VDE 0140-1)
------------------	---------------------------------------

Mounting

Mounting type	DIN rail mounting
Mounting position	any (no temperature derating)

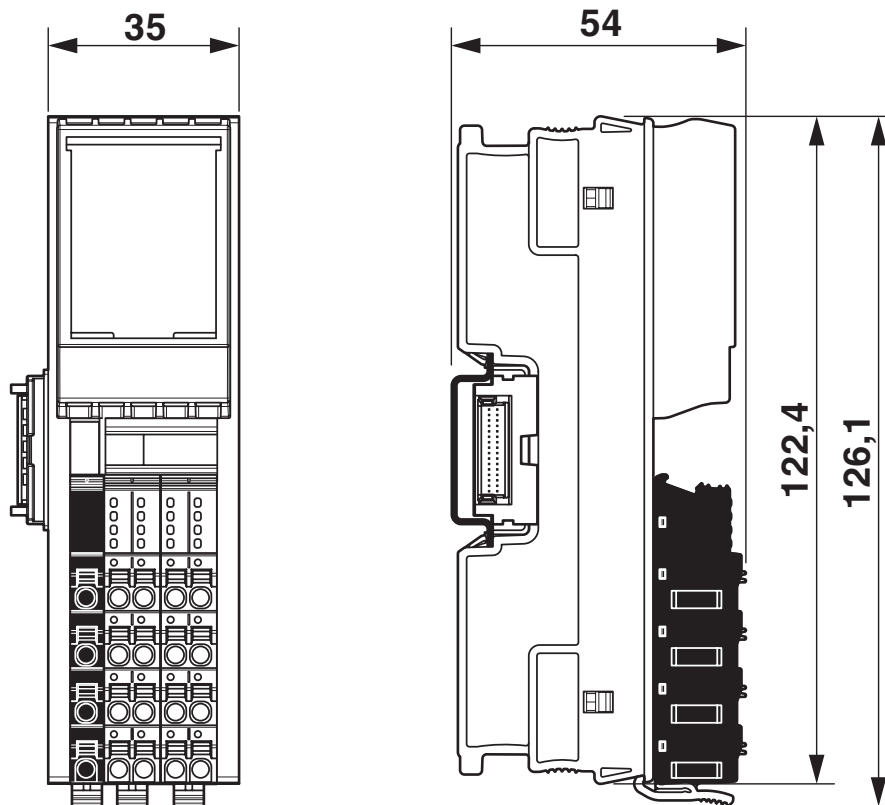
AXL F AI2 AO2 1H - Analog module

2702072

<https://www.phoenixcontact.com/pc/products/2702072>

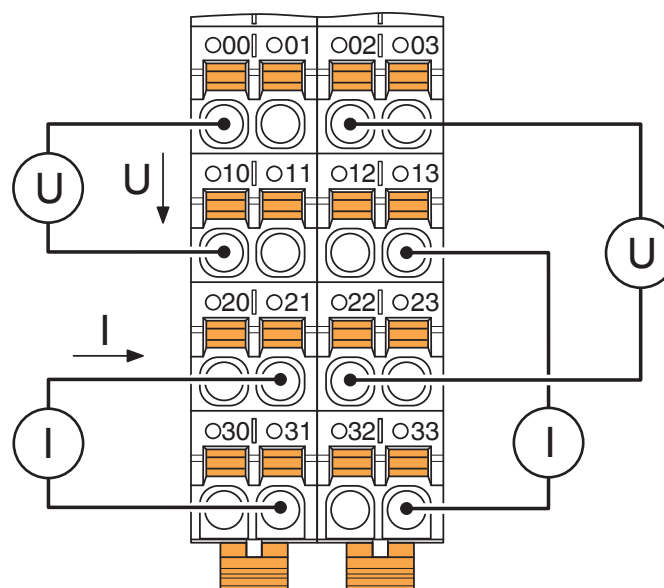
Drawings

Dimensional drawing



Dimensional drawing

Connection diagram



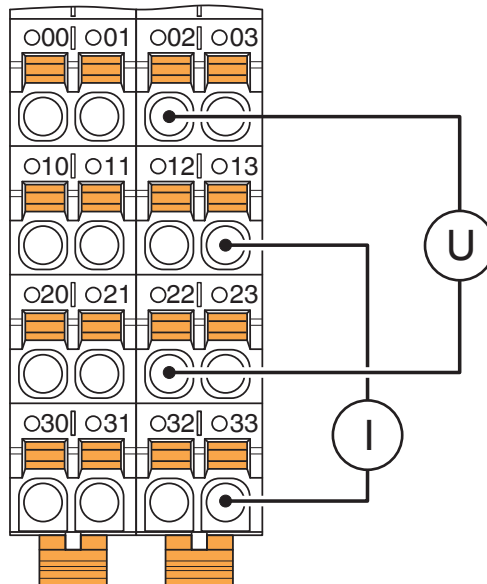
AXL F AI2 AO2 1H - Analog module

2702072

<https://www.phoenixcontact.com/pc/products/2702072>

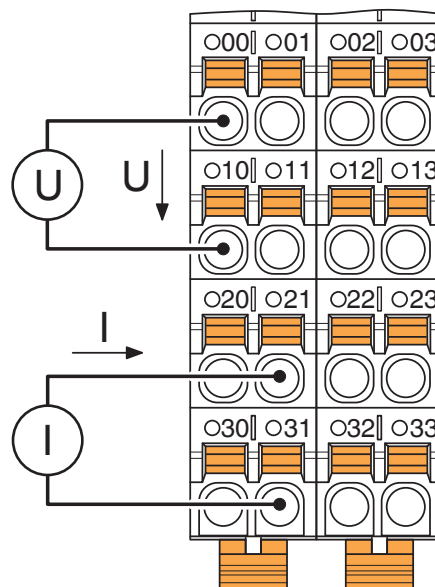


Connection diagram



Connection for voltage and current output

Connection diagram



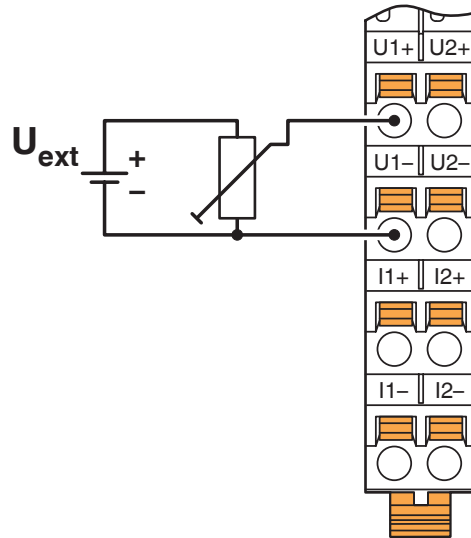
Connection for voltage and current measurement

AXL F AI2 AO2 1H - Analog module

2702072

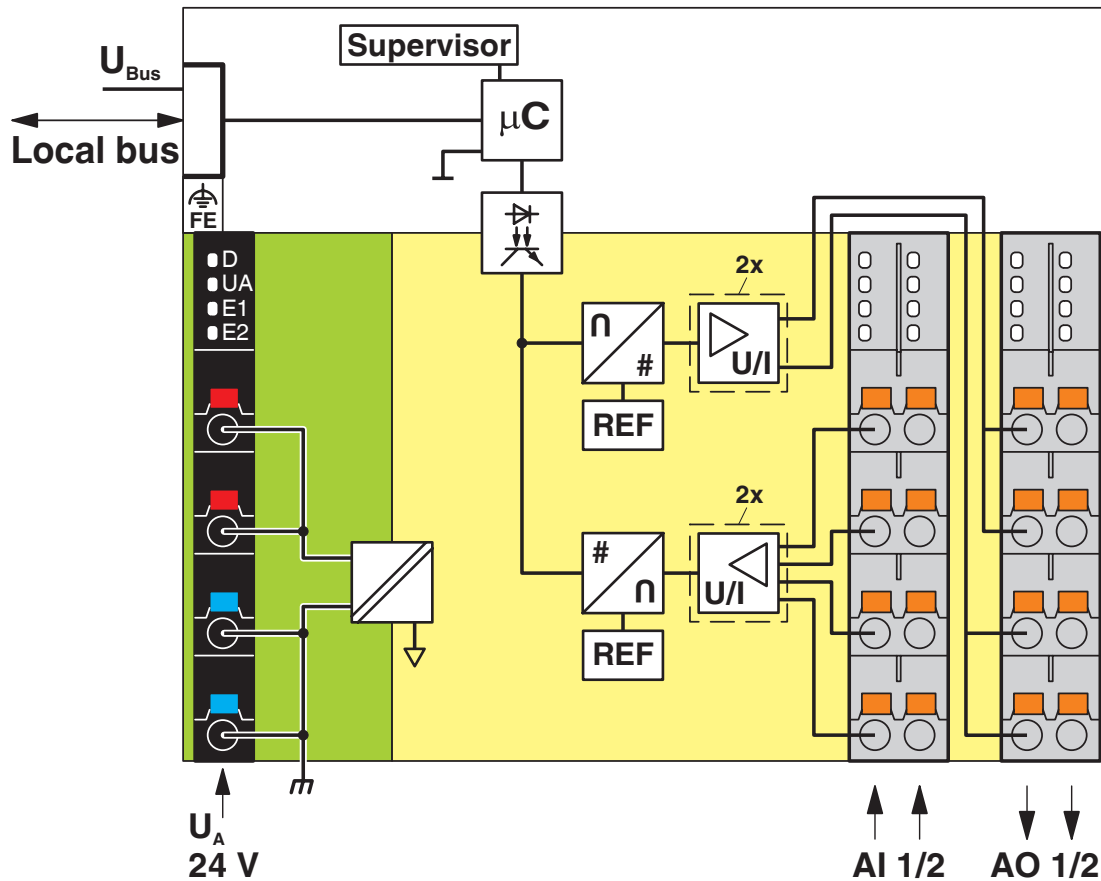
<https://www.phoenixcontact.com/pc/products/2702072>

Connection diagram



Connection of potentiometric position sensors

Block diagram



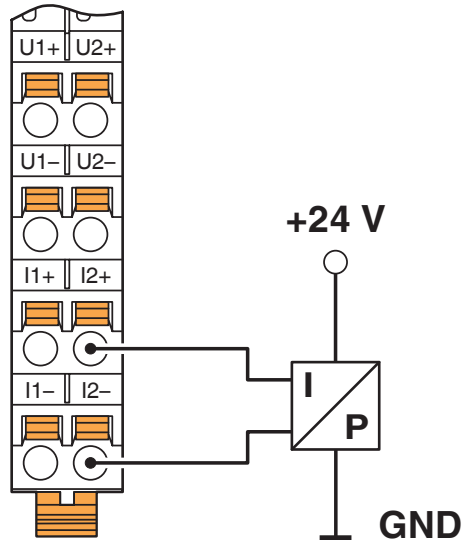
Internal wiring of the terminal points

AXL F AI2 AO2 1H - Analog module

2702072

<https://www.phoenixcontact.com/pc/products/2702072>

Connection diagram



Passive pressure sensor at a differential current input

AXL F AI2 AO2 1H - Analog module



2702072

<https://www.phoenixcontact.com/pc/products/2702072>

Approvals

To download certificates, visit the product detail page: <https://www.phoenixcontact.com/pc/products/2702072>



DNV GL

Approval ID: TAA00000DF



LR

Approval ID: LR2001902TA-08



NK

Approval ID: 14A006



BV

Approval ID: 36433/B4 BV



PRS

Approval ID: TE/1020/880590/21

BSH

Approval ID: 840



RINA

Approval ID: ELE008423XG

ABS

Approval ID: 23-2449604-PDA

UAE-RoHS

Approval ID: 23-02-63243



cULus Listed

Approval ID: E238705

AXL F AI2 AO2 1H - Analog module



2702072

<https://www.phoenixcontact.com/pc/products/2702072>

Classifications

ECLASS

ECLASS-11.0	27242601
ECLASS-12.0	27242601
ECLASS-13.0	27242601

ETIM

ETIM 9.0	EC001596
----------	----------

UNSPSC

UNSPSC 21.0	32151600
-------------	----------

AXL F AI2 AO2 1H - Analog module



2702072

<https://www.phoenixcontact.com/pc/products/2702072>

Environmental product compliance

REACH SVHC	Lead 7439-92-1
China RoHS	Environmentally Friendly Use Period = 50 years
	For information on hazardous substances, refer to the manufacturer's declaration available under "Downloads"

Phoenix Contact 2024 © - all rights reserved

<https://www.phoenixcontact.com>

PHOENIX CONTACT GmbH & Co. KG

Flachsmarktstraße 8

D-32825 Blomberg

+49 (0) 5235-3 00

info@phoenixcontact.com