

PSI-MOS-RS485W2/FO 660 T - FO converters



2708300

<https://www.phoenixcontact.com/pc/products/2708300>

Please be informed that the data shown in this PDF document is generated from our online catalog. Please find the complete data in the user documentation. Our general terms of use for downloads are valid.



FO converter with integrated optical diagnostics, alarm contact, for RS-485 2-wire bus systems (SUCONET K, Modbus ...) up to 500 kbps, NRZ coding, T-coupler with two FO interfaces (FSMA), 660 nm, for polymer/PCF fiber cable

Product description

The **PSI-MOS-RS485W2/FO...** FO converters convert the electrical data signal into an optical one by protocol transparent means. The integrated optical diagnostics allow permanent monitoring of the FO paths during installation and also during operation. The floating switch contact is activated when the signal output on the fiber optic paths drops to a critical level. The **PSI-MOS-RS485W2/FO... T** T-couplers allow the interface to be converted for **two FO cables**. They can be used to create linear structures and redundant structures for increased system availability.

Your advantages

- Can be combined with the PSI copper repeater in a modular way using DIN rail connectors
- Supply voltage and data signals routed through the DIN rail connectors
- Connections can be plugged in via a COMBICON screw terminal block
- Automatic data rate detection or fixed data rate setting via DIP switches
- High-quality electrical isolation between all interfaces (RS-485 // fiber optic ports // power supply // DIN rail connector)
- Redundant power supply possible by means of optional system power supply unit
- Approved for use in zone 2
- Intrinsically safe fiber optic interface (Ex op is) for direct connection to devices in zone 1
- Integrated optical diagnostics for continuous monitoring of FO paths
- Floating switch contact for advance warning of critical FO paths
- Suitable for data rates up to 500 kbps
- Bit retiming for any cascading depth
- Shipbuilding approval in accordance with DNV GL

Commercial data

Item number	2708300
Packing unit	1 pc
Minimum order quantity	1 pc
Product key	DNC212
Catalog page	Page 435 (C-6-2019)
GTIN	4017918974008
Weight per piece (including packing)	245.4 g
Weight per piece (excluding packing)	201.08 g

PSI-MOS-RS485W2/FO 660 T - FO converters



2708300

<https://www.phoenixcontact.com/pc/products/2708300>

Customs tariff number	85176200
Country of origin	DE

Technical data

Notes

Utilization restriction

EMC note	EMC: class A product, see manufacturer's declaration in the download area
----------	---

Utilization restriction

CCCex note	Use in potentially explosive areas is not permitted in China.
------------	---

Product properties

Product type	Media converter
MTTF	654 Years (SN 29500 standard, temperature 25°C, operating cycle 21%)
	287 Years (SN 29500 standard, temperature 40°C, operating cycle 34.25%)
	118 Years (SN 29500 standard, temperature 40°C, operating cycle 100%)
MTBF	220 Years (Telcordia standard, 25°C temperature, 21% operating cycle (5 days a week, 8 hours a day))
	44 Years (Telcordia standard, 40°C temperature, 34.25% operating cycle (5 days a week, 12 hours a day))

Electrical properties

Electrical isolation	VCC // RS-485
Maximum power dissipation for nominal condition	2.4 W
Test voltage data interface/power supply	1.5 kV _{rms} (50 Hz, 1 min.)

Supply

Supply voltage range	18 V DC ... 30 V DC (via pluggable COMBICON screw terminal block)
Nominal supply voltage	24 V DC (in acc. with UL)
Typical current consumption	100 mA (24 V DC)
Max. current consumption	130 mA
	≤ 2 A (For operation in a joining station, via the DIN rail connector)

Output data

Switching

Output name	Relay output
Output description	Alarm output
Number of outputs	1
Maximum switching voltage	60 V DC (Resistive Load, General Load)
	30 V AC (Resistive load)
	42 V AC (peak, resistive load)
Limiting continuous current	0.46 A

2708300

<https://www.phoenixcontact.com/pc/products/2708300>

Connection data

Supply

Connection method	COMBICON plug-in screw terminal block
Stripping length	7.00 mm
Tightening torque	0.56 Nm ... 0.79 Nm

Interfaces

Bit distortion, input	± 35 % (permitted)
Bit distortion, output	< 6.25 %
Bit delay	≤ 1 bit
Signal	Modbus
	S-BUS
	Suconet K
	J-BUS
	DATA HIGHWAY

Data: optical FO

No. of channels	2
Transmit capacity, minimum	-5.3 dBm (980/1000 µm)
	-16 dBm (200/230 µm)
Transmission length incl. 3 dB system reserve	100 m (F-P 980/1000 230 dB/km with quick mounting connector)
	800 m (F-K 200/230 10 dB/km with quick mounting connector)
Transmission protocol	Protocol-transparent to the RS-485 interface
Connection method	F-SMA
Wavelength	660 nm
Minimum receiver sensitivity	-30.2 dBm
Maximum receiver sensitivity	-3 dBm (980/1000 µm)
Transmission medium	Polymer fiber
	PCF fiber

Data: RS-485 interface, 2-wire

Serial transmission speed	4.8/ 9.6/ 19.2/ 38.4/ 57.6/ 75/ 93.75/ 115.2/ 136/ 187.5/ 375/ 500 kbps
Connection method	Pluggable screw connection
Transmission length	≤ 1200 m (depending on the data rate, with shielded, twisted data cable)
Termination resistor	390 Ω (Can be connected)
	220 Ω
	390 Ω
Single conductor/terminal point, rigid	0.2 mm ² ... 2.5 mm ²
Single-wire/terminal point, flexible	0.2 mm ² ... 2.5 mm ²
Max. AWG conductor cross section, flexible	14
Min. AWG conductor cross section, flexible	24
Single-wire/terminal point, rigid AWG max.	14

PSI-MOS-RS485W2/FO 660 T - FO converters



2708300

<https://www.phoenixcontact.com/pc/products/2708300>

Single-wire/terminal point, rigid AWG min.	24
Transmission medium	Copper
File format/coding	UART (11/10 bit switchable; NRZ), slip-tolerant
Data direction switching	Automatic control

Dimensions

Dimensional drawing	
Width	35 mm
Height	99 mm
Depth	105 mm

Material specifications

Color (Housing)	gray (RAL 7042)
Material Housing	PA 6.6-FR

Cable/line

FO cable

Fiber types	980/1000 µm
	200/230 µm
	Polymer fiber
	PCF fiber

Environmental and real-life conditions

Ambient conditions

Degree of protection	IP20
Ambient temperature (operation)	-20 °C ... 60 °C
Ambient temperature (storage/transport)	-40 °C ... 85 °C
Altitude	≤ 5000 m (For restrictions, see the manufacturer's declaration for altitude operation)
	≤ 2000 m (Hazardous locations)
Permissible humidity (operation)	30 % ... 95 % (non-condensing)

Approvals

CE

Certificate	CE-compliant
-------------	--------------

ATEX

Identification	⊕ II 3 G Ex ec IIC T4 Gc
----------------	--------------------------

PSI-MOS-RS485W2/FO 660 T - FO converters



2708300

<https://www.phoenixcontact.com/pc/products/2708300>

Certificate	UL 21 ATEX 2550X
Note	Please follow the special installation instructions in the documentation!

ATEX, FO interface

Identification	⊕ II (2) G [Ex op is Gb] IIC
	⊕ II (2) D [Ex op is Db] IIC
Certificate	PTB 06 ATEX 2042 U
Note	Please follow the special installation instructions in the documentation!

IECEX

Identification	Ex ec IIC T4 Gc
Certificate	IECEX ULD 21.00013X

UL, USA/Canada

Identification	Class I, Zone 2, AEx ec IIC T4 Gc
	Ex ec IIC T4 Gc X
	Class I, Div. 2, Groups A, B, C, D

Corrosive gas test

Identification	ISA-S71.04-1985 G3 Harsh Group A
----------------	----------------------------------

Shipbuilding

Identification	DNV GL
----------------	--------

DNV GL data

Temperature	B
Humidity	A
Vibration	A
EMC	B
Enclosure	Required protection according to the Rules shall be provided upon installation on board

EMC data

Noise immunity	EN 61000-6-2:2005
Electromagnetic compatibility	Conformance with EMC Directive 2014/30/EU
Noise emission	EN 55011

Electrostatic discharge

Standards/regulations	EN 61000-4-2
-----------------------	--------------

Electrostatic discharge

Contact discharge	± 6 kV
Discharge in air	± 8 kV
Comments	Criterion B

Electromagnetic HF field

Standards/regulations	EN 61000-4-3
-----------------------	--------------

PSI-MOS-RS485W2/FO 660 T - FO converters



2708300

<https://www.phoenixcontact.com/pc/products/2708300>

Electromagnetic HF field

Field intensity	10 V/m
Comments	Criterion A

Fast transients (burst)

Standards/regulations	EN 61000-4-4
-----------------------	--------------

Fast transients (burst)

Input	± 2 kV
Signal	± 2 kV
Comments	Criterion B

Surge current load (surge)

Standards/regulations	EN 61000-4-5
-----------------------	--------------

Surge current load (surge)

Input	± 0.5 kV
Signal	± 1 kV
Comments	Criterion B

Conducted interference

Standards/regulations	EN 61000-4-6
-----------------------	--------------

Conducted interference

Comments	Criterion A
Voltage	10 V

Emitted interference

Standards/regulations	EN 55011
Comments	Class A, industrial applications

Criteria

Criterion A	Normal operating behavior within the specified limits.
Criterion B	Temporary impairment to operational behavior that is corrected by the device itself.

Standards and regulations

Free from substances that could impair the application of coating	in accordance with VW-AUDI-Seat central standard P-VW 3.10.7 57 65 0
---	--

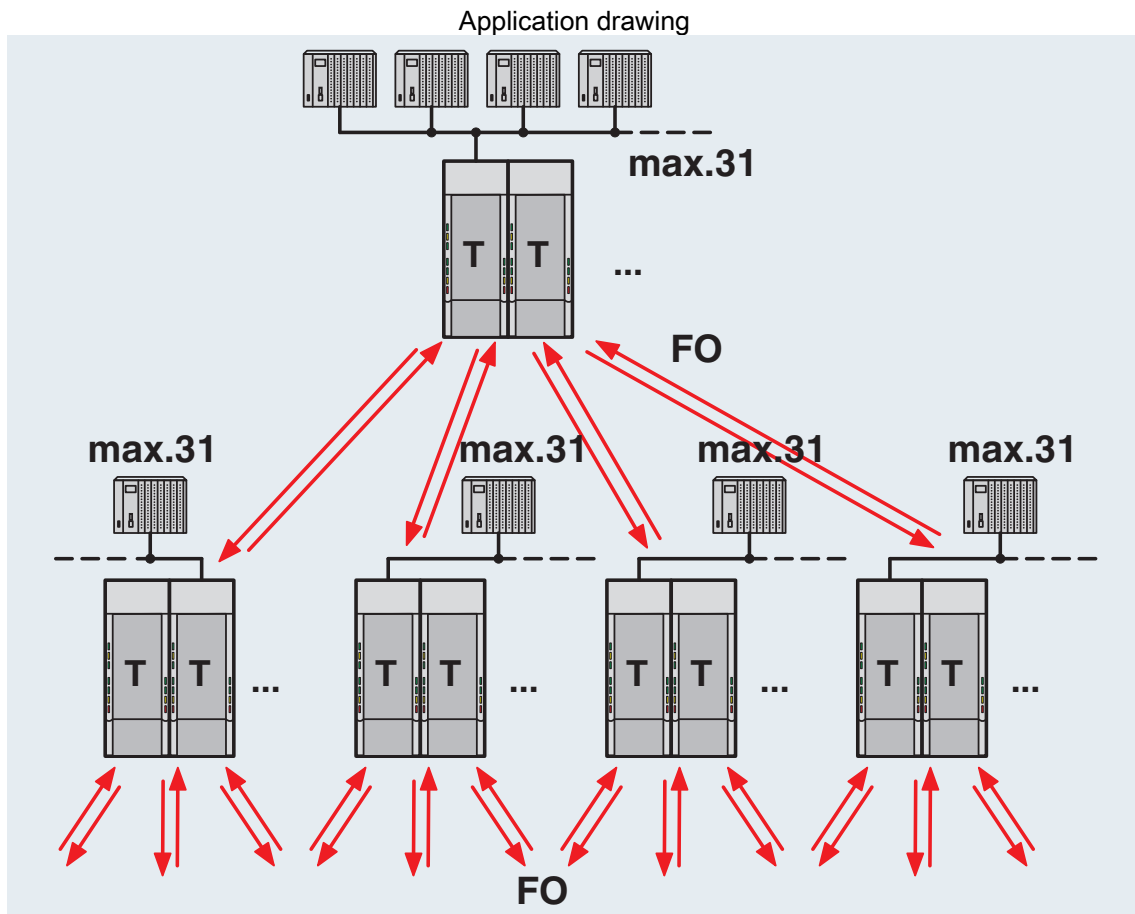
Mounting

Mounting type	DIN rail mounting
---------------	-------------------

2708300

<https://www.phoenixcontact.com/pc/products/2708300>

Drawings



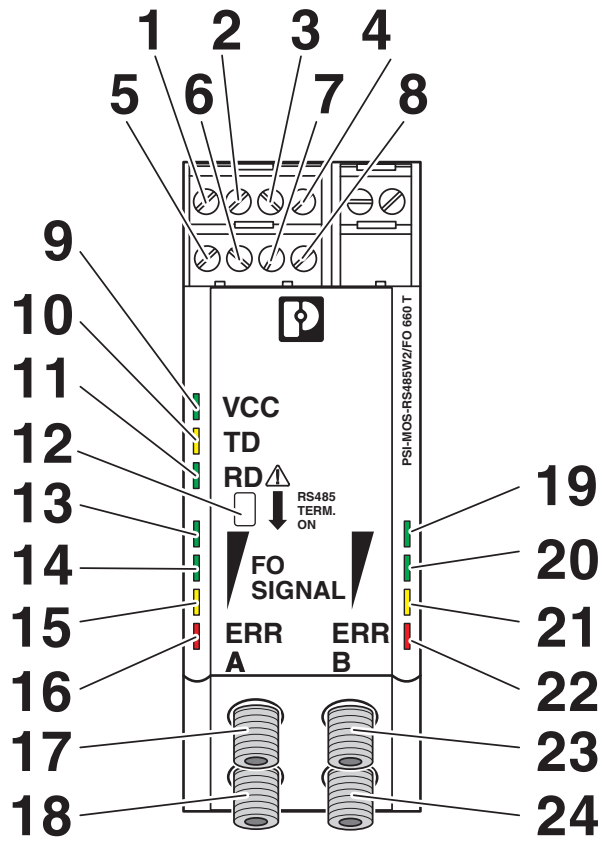
Tree structure

PSI-MOS-RS485W2/FO 660 T - FO converters

2708300

<https://www.phoenixcontact.com/pc/products/2708300>

Schematic diagram



Front view

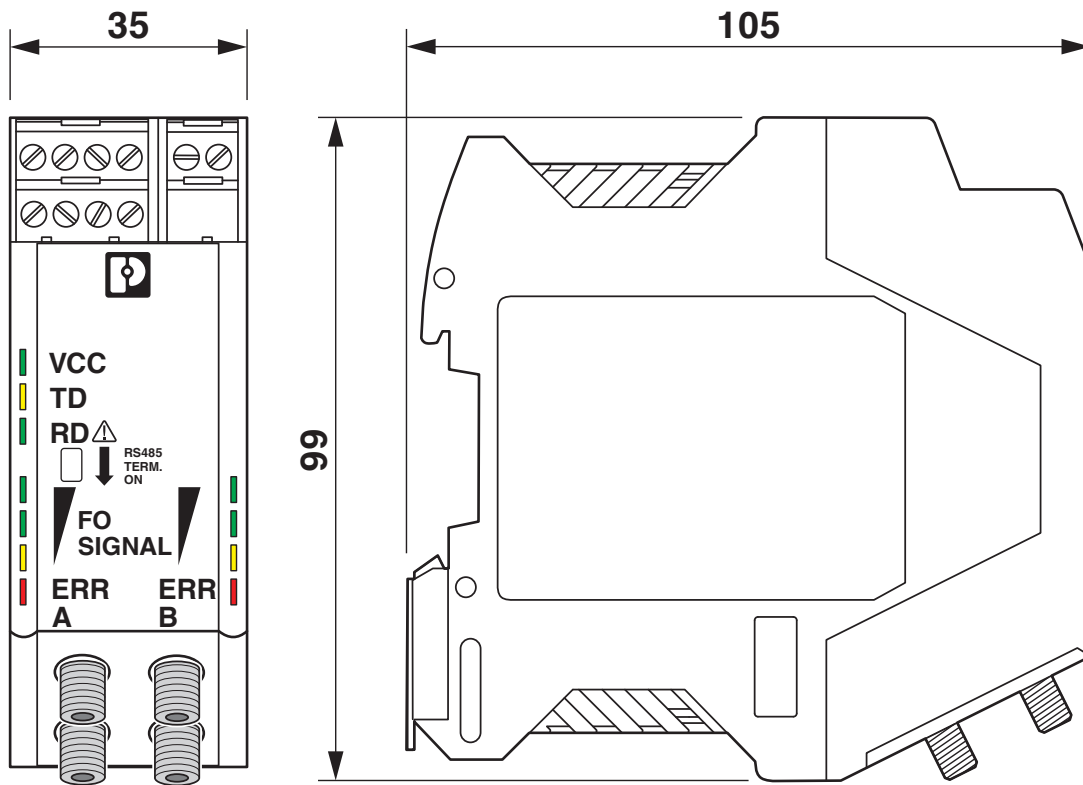
PSI-MOS-RS485W2/FO 660 T - FO converters



2708300

<https://www.phoenixcontact.com/pc/products/2708300>

Dimensional drawing



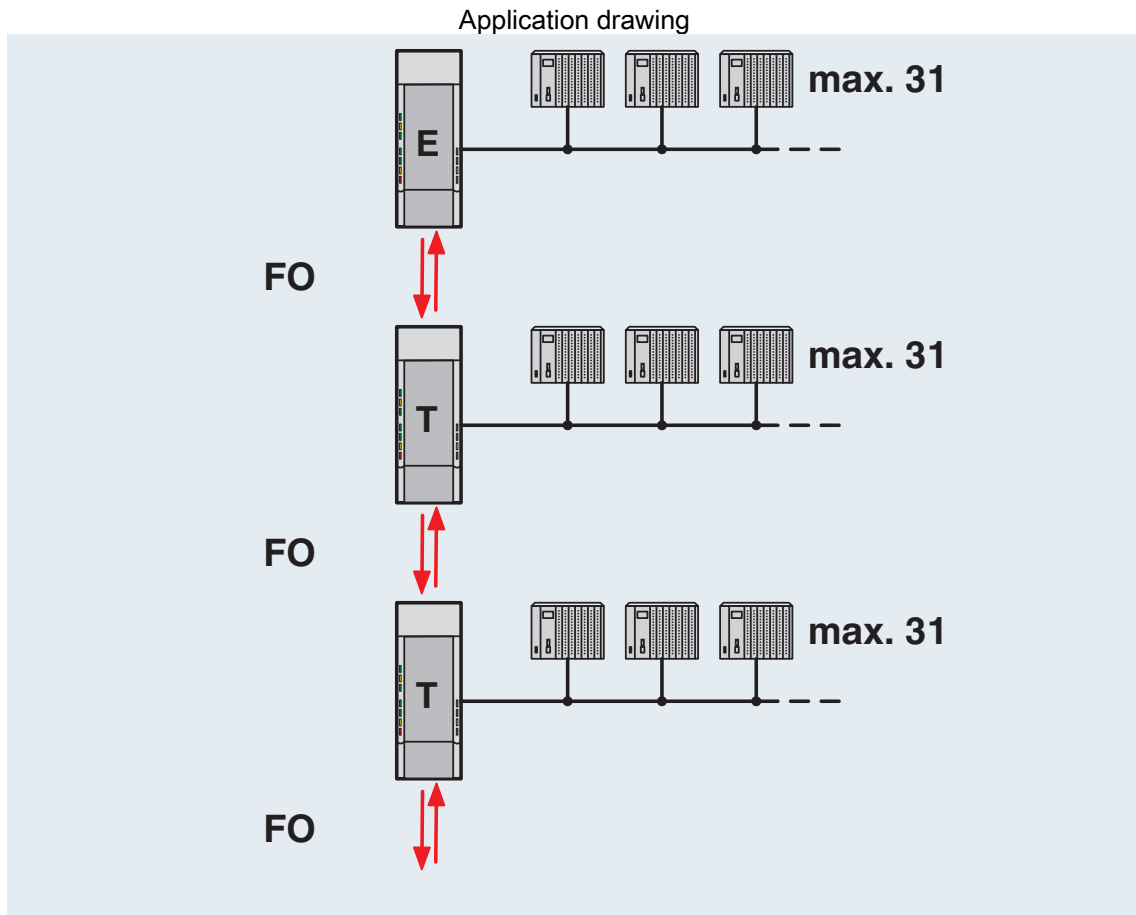
Housing dimensions

PSI-MOS-RS485W2/FO 660 T - FO converters



2708300

<https://www.phoenixcontact.com/pc/products/2708300>



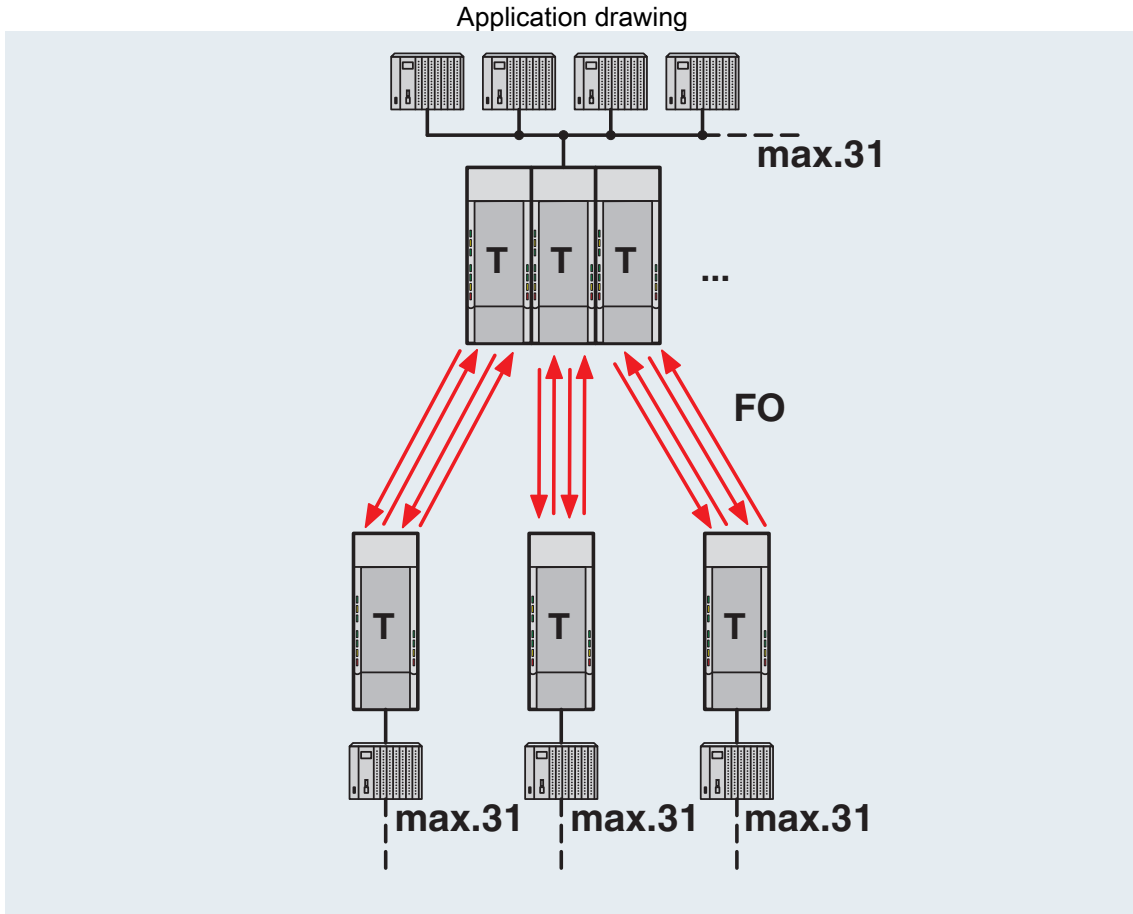
Line structure

PSI-MOS-RS485W2/FO 660 T - FO converters

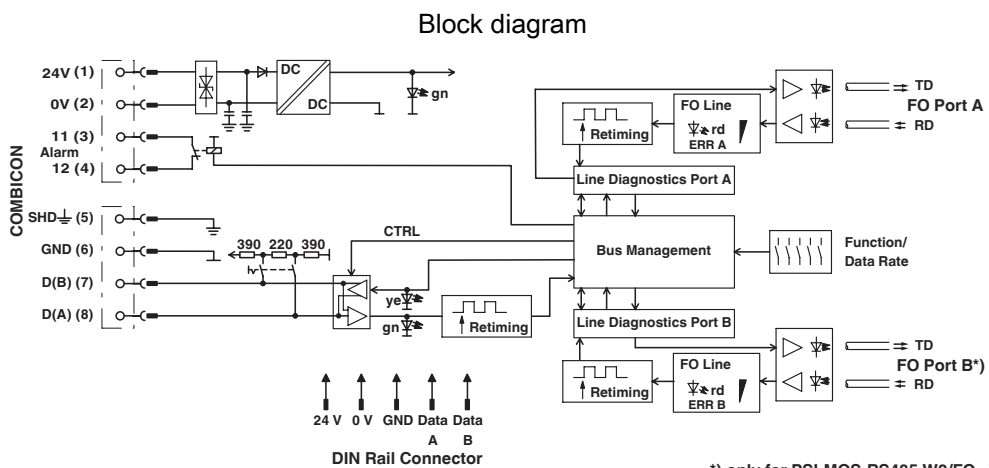


2708300

<https://www.phoenixcontact.com/pc/products/2708300>

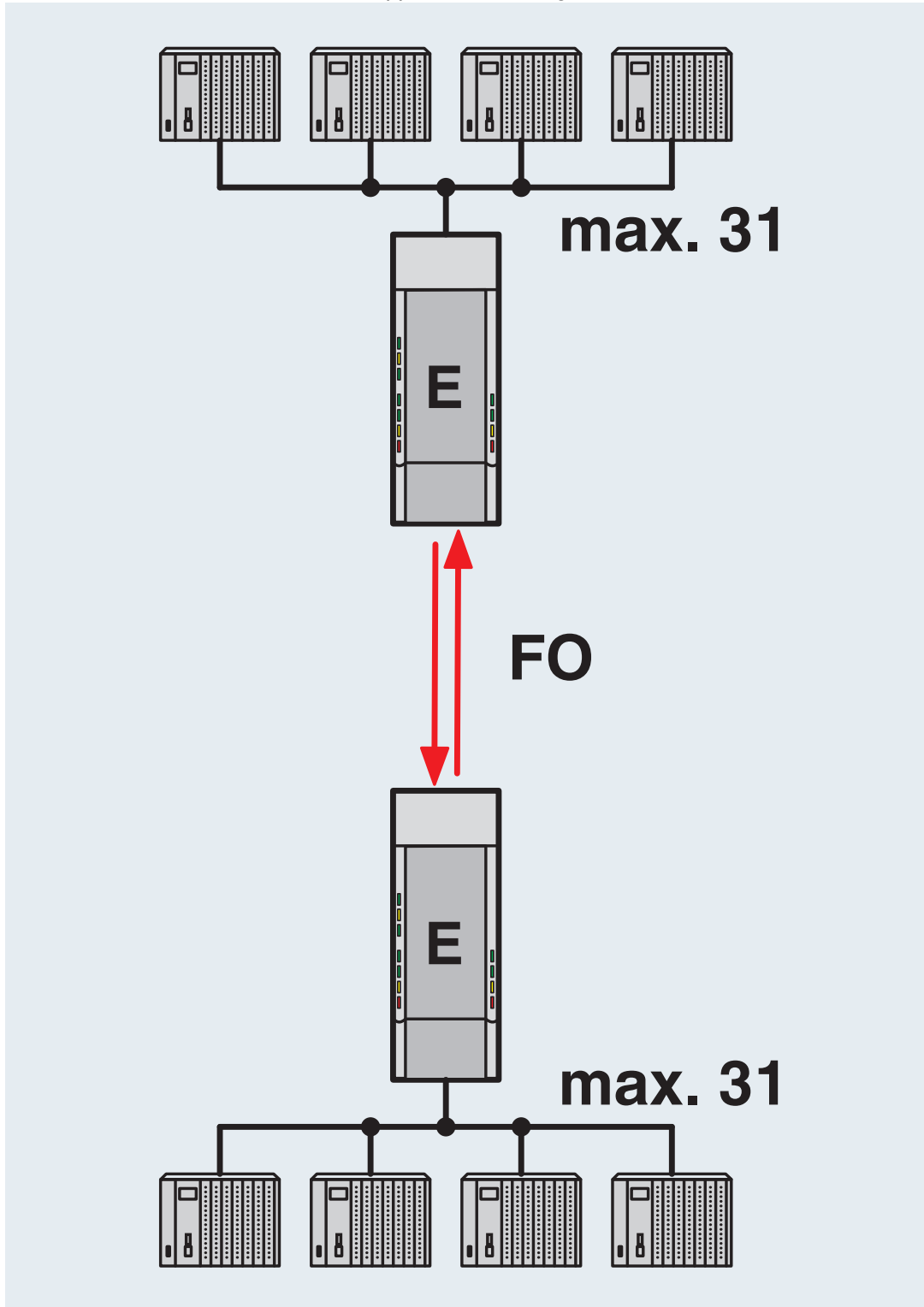


Redundant structure



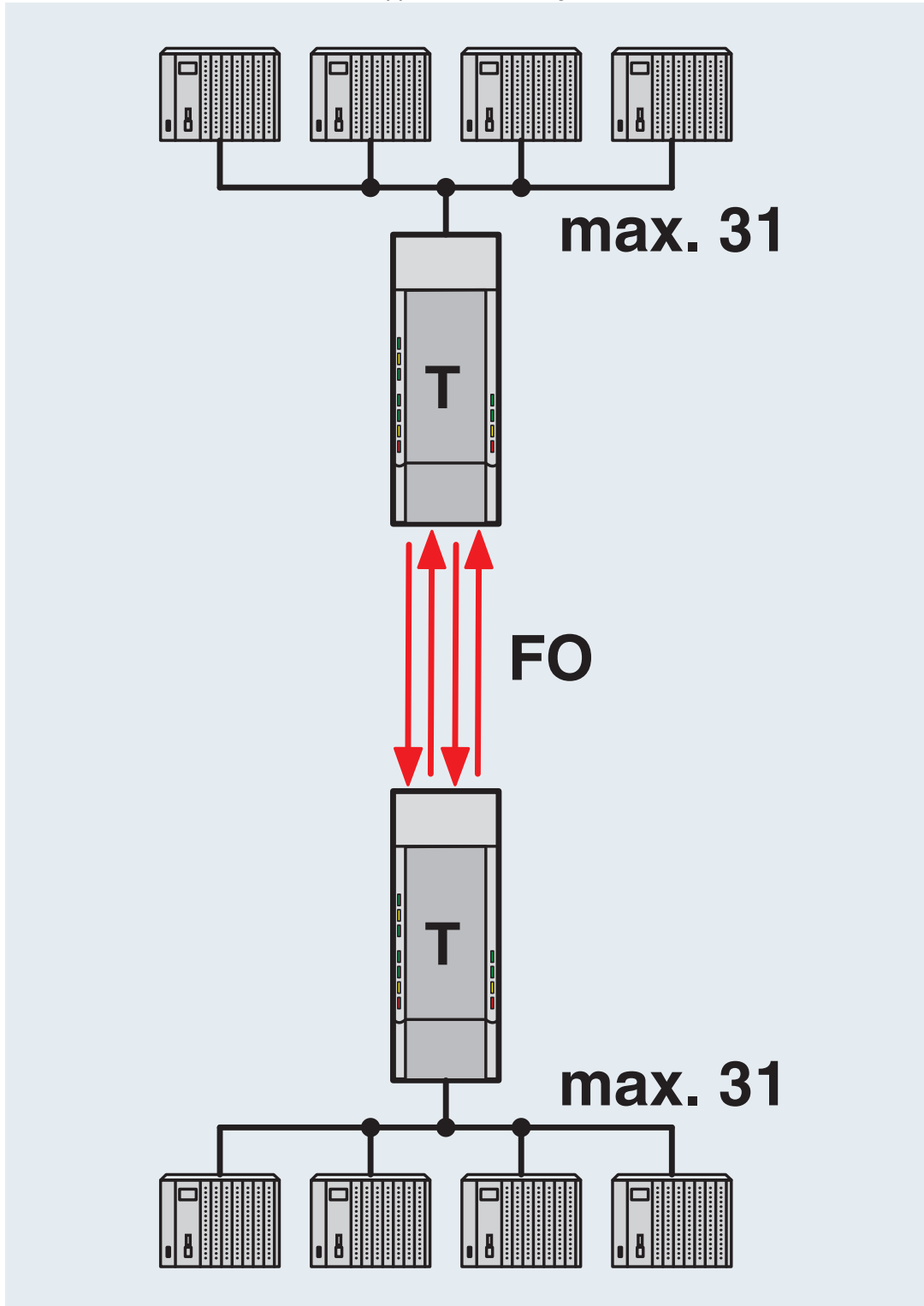
*) only with PSI-MOS.../FO...T

Application drawing



Point-to-point connection

Application drawing



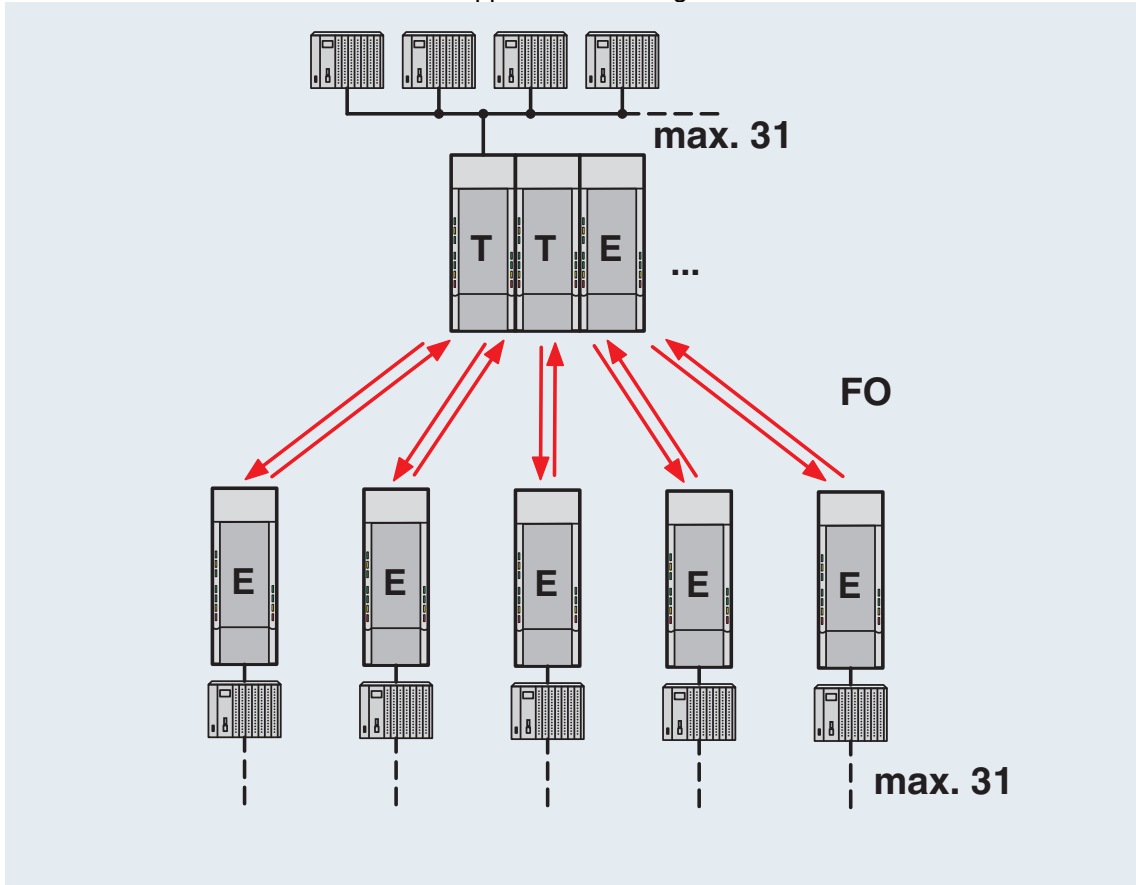
Redundant point-to-point connection

PSI-MOS-RS485W2/FO 660 T - FO converters

2708300

<https://www.phoenixcontact.com/pc/products/2708300>

Application drawing



Star structure

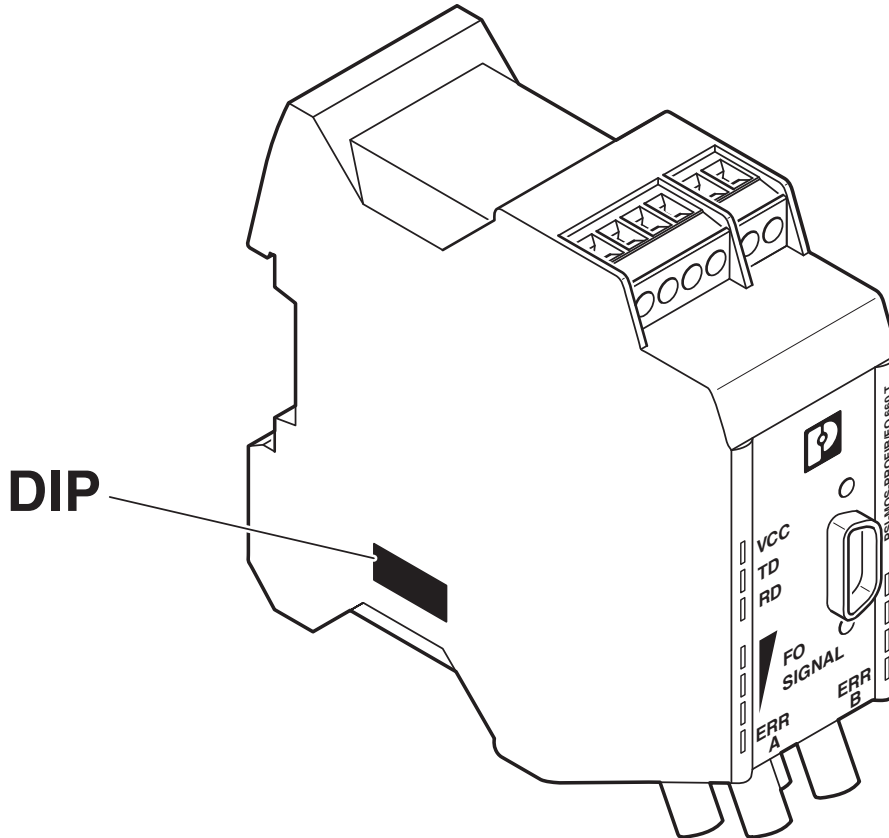
PSI-MOS-RS485W2/FO 660 T - FO converters



2708300

<https://www.phoenixcontact.com/pc/products/2708300>

Schematic diagram



Position of DIP switches

PSI-MOS-RS485W2/FO 660 T - FO converters



2708300

<https://www.phoenixcontact.com/pc/products/2708300>

Approvals

To download certificates, visit the product detail page: <https://www.phoenixcontact.com/pc/products/2708300>



DNV GL

Approval ID: TAA00001KR

UAE-RoHS

Approval ID: 23-02-63194



cULus Listed

Approval ID: E238705



ATEX

Approval ID: PTB 06 ATEX 2042U



ATEX

Approval ID: PxCIF06ATEX2708261X



cUL Listed

Approval ID: FILE E 199827



UL Listed

Approval ID: FILE E 199827



IECEx

Approval ID: IECEx ULD 21.0013X



ATEX

Approval ID: UL 21 ATEX 2550X

cULus Listed

PSI-MOS-RS485W2/FO 660 T - FO converters



2708300

<https://www.phoenixcontact.com/pc/products/2708300>

Classifications

ECLASS

ECLASS-11.0	19170411
ECLASS-12.0	19170411
ECLASS-13.0	19170411

ETIM

ETIM 9.0	EC001467
----------	----------

UNSPSC

UNSPSC 21.0	43201500
-------------	----------

2708300

<https://www.phoenixcontact.com/pc/products/2708300>

Environmental product compliance

EU RoHS

Fulfills EU RoHS substance requirements	Yes
Exemption	7(c)-I

China RoHS

Environment friendly use period (EFUP)	EFUP-50
	An article-related China RoHS declaration table can be found in the download area for the respective article under "Manufacturer declaration". For all articles with EFUP-E, no China RoHS declaration table issued and required.

EU REACH SVHC

REACH candidate substance (CAS No.)	No substance above 0.1 wt%
-------------------------------------	----------------------------

Phoenix Contact 2024 © - all rights reserved
<https://www.phoenixcontact.com>

PHOENIX CONTACT GmbH & Co. KG
Flachsmarktstraße 8
D-32825 Blomberg
+49 (0) 5235-3 00
info@phoenixcontact.com