

PSI-MOS-RS232/FO 850 T - FO converters



2708423

<https://www.phoenixcontact.com/sk/products/2708423>

Please be informed that the data shown in this PDF document is generated from our online catalog. Please find the complete data in the user documentation. Our general terms of use for downloads are valid.



FO converter with integrated optical diagnostics, alarm contact, for RS-232 interfaces up to 115.2 kbps, T-coupler with two FO interfaces (BFOC), 850 nm, for PCF/fiberglass cable (multimode)

Your advantages

- Supply voltage and data signals routed through the DIN rail connectors
- Connections can be plugged in via a COMBICON screw terminal block
- Redundant power supply possible by means of optional system power supply unit
- High-quality electrical isolation between all interfaces (RS-232 // fiber optic ports // power supply // DIN rail connector)
- Approved for use in zone 2
- Intrinsically safe fiber optic interface (Ex op is) for direct connection to devices in zone 1
- Integrated optical diagnostics for continuous monitoring of FO paths
- Floating switch contact for advance warning of critical FO paths
- Automatic data rate detection for all data rates up to 115.2 kbps

Commercial data

| | |
|--------------------------------------|---------------------|
| Item number | 2708423 |
| Packing unit | 1 pc |
| Minimum order quantity | 1 pc |
| Sales key | DNC |
| Product key | DNC215 |
| Catalog page | Page 439 (C-6-2019) |
| GTIN | 4017918974114 |
| Weight per piece (including packing) | 268.8 g |
| Weight per piece (excluding packing) | 200.58 g |
| Customs tariff number | 85176200 |
| Country of origin | DE |

Technical data

Notes

Utilization restriction

| | |
|----------|---|
| EMC note | EMC: class A product, see manufacturer's declaration in the download area |
|----------|---|

Utilization restriction

| | |
|------------|---|
| CCCex note | Use in potentially explosive areas is not permitted in China. |
|------------|---|

Product properties

| | |
|--------------|---|
| Product type | Media converter |
| MTTF | 789 Years (SN 29500 standard, temperature 25°C, operating cycle 21%) |
| | 324 Years (SN 29500 standard, temperature 40°C, operating cycle 34.25%) |
| | 134 Years (SN 29500 standard, temperature 40°C, operating cycle 100%) |
| MTBF | 177 Years (Telcordia standard, 25°C temperature, 21% operating cycle (5 days a week, 8 hours a day)) |
| | 26 Years (Telcordia standard, 40°C temperature, 34.25% operating cycle (5 days a week, 12 hours a day)) |

Electrical properties

| | |
|---|---------------------------------------|
| Electrical isolation | VCC // V.24 (RS-232) |
| Maximum power dissipation for nominal condition | 2.88 W |
| Test voltage data interface/power supply | 1.5 kV _{rms} (50 Hz, 1 min.) |

Supply

| | |
|-----------------------------|---------------------------|
| Supply voltage range | 18 V DC ... 30 V DC |
| Nominal supply voltage | 24 V DC (in acc. with UL) |
| Typical current consumption | 120 mA (24 V DC) |
| Max. current consumption | 120 mA |

Output data

Switching

| | |
|-----------------------------|--------------|
| Output name | Relay output |
| Output description | Alarm output |
| Number of outputs | 1 |
| Maximum switching voltage | 60 V DC |
| | 42 V AC |
| Limiting continuous current | 0.46 A |

Connection data

Supply

PSI-MOS-RS232/FO 850 T - FO converters



2708423

<https://www.phoenixcontact.com/sk/products/2708423>

| | |
|-------------------|---------------------------------------|
| Connection method | COMBICON plug-in screw terminal block |
| Tightening torque | 0.56 Nm ... 0.79 Nm |

Interfaces

| | |
|------------------------|--------------------------------|
| Bit distortion, input | ± 35 % (permitted) |
| Bit distortion, output | < 6.25 % |
| Signal | Modbus |
| Transmission channels | 2 (1/1), RxD, TxD, full duplex |

Data: optical FO

| | |
|---|--|
| No. of channels | 2 |
| Transmit capacity, minimum | -4.6 dBm (200/230 µm) |
| | -17.6 dBm (50/125 µm) |
| | -13.6 dBm (62,5/125 µm) |
| Transmission length incl. 3 dB system reserve | 2800 m (F-K 200/230 8 dB/km with quick mounting connector) |
| | 4200 m (with F-G 50/125 2.5 dB/km) |
| | 4800 m (with F-G 62,5/125 3.0 dB/km) |
| Transmission protocol | Transparent to protocol for RS-232 interface |
| Connection method | B-FOC (ST [®]) |
| Wavelength | 850 nm |
| Minimum receiver sensitivity | -33.2 dBm |
| Transmission medium | PCF fiber |
| | Multi-mode fiberglass |

Data: V.24 (RS-232) interface in acc. with ITU-T V.28, EIA/TIA-232, DIN 66259-1

| | |
|--|---|
| Serial transmission speed | 4.8 Kbps ... 115.2 Kbps |
| Connection method | D-SUB 9 plug |
| Transmission length | ≤ 15 m |
| Single conductor/terminal point, rigid | 0.2 mm ² ... 2.5 mm ² |
| Single-wire/terminal point, flexible | 0.2 mm ² ... 2.5 mm ² |
| Max. AWG conductor cross section, flexible | 14 |
| Min. AWG conductor cross section, flexible | 24 |
| Single-wire/terminal point, rigid AWG max. | 14 |
| Single-wire/terminal point, rigid AWG min. | 24 |
| Transmission medium | Copper |
| File format/coding | UART (11 Bit, NRZ) |
| Data direction switching | Automatic control |

Dimensions

| | |
|--------|--------|
| Width | 35 mm |
| Height | 99 mm |
| Depth | 105 mm |

Material specifications

| | |
|-----------------|------------------|
| Color (Housing) | green (RAL 6021) |
|-----------------|------------------|

PSI-MOS-RS232/FO 850 T - FO converters



2708423

<https://www.phoenixcontact.com/sk/products/2708423>

| | |
|------------------|-----------|
| Material Housing | PA 6.6-FR |
|------------------|-----------|

Cable/line

FO cable

| | |
|-------------|-------------|
| Fiber types | 200/230 µm |
| | 50/125 µm |
| | 62.5/125 µm |
| | PCF fiber |
| | Fiberglass |

Environmental and real-life conditions

Ambient conditions

| | |
|---|--|
| Degree of protection | IP20 |
| Ambient temperature (operation) | -20 °C ... 60 °C |
| Ambient temperature (storage/transport) | -40 °C ... 85 °C |
| Altitude | ≤ 5000 m (For restrictions, see the manufacturer's declaration for altitude operation) |
| Permissible humidity (operation) | 30 % ... 95 % (non-condensing) |

Approvals

CE

| | |
|-------------|--------------|
| Certificate | CE-compliant |
|-------------|--------------|

EAC

| | |
|----------------|-----|
| Identification | EAC |
|----------------|-----|

ATEX

| | |
|----------------|---|
| Identification | ⊕ II 3 G Ex nA nC IIC T4 Gc X |
| Note | Please follow the special installation instructions in the documentation! |

ATEX, FO interface

| | |
|----------------|---|
| Identification | ⊕ II (2) G [Ex op is Gb] IIC |
| | ⊕ II (2) D [Ex op is Db] IIIC |
| Certificate | PTB 06 ATEX 2042 U |
| Note | Please follow the special installation instructions in the documentation! |

UL, USA/Canada

| | |
|----------------|------------------------------------|
| Identification | Class I, Zone 2, AEx nc IIC T5 |
| | Class I, Zone 2, Ex nC nL IIC T5 X |
| | Class I, Div. 2, Groups A, B, C, D |

Corrosive gas test

| | |
|----------------|----------------------------------|
| Identification | ISA-S71.04-1985 G3 Harsh Group A |
|----------------|----------------------------------|

EMC data

| | |
|-------------------------------|---|
| Noise immunity | EN 61000-6-2:2005 |
| Electromagnetic compatibility | Conformance with EMC Directive 2014/30/EU |
| Noise emission | EN 55011 |

Electrostatic discharge

| | |
|-----------------------|--------------|
| Standards/regulations | EN 61000-4-2 |
|-----------------------|--------------|

Electrostatic discharge

| | |
|-------------------|-------------|
| Contact discharge | ± 6 kV |
| Discharge in air | ± 8 kV |
| Comments | Criterion B |

Electromagnetic HF field

| | |
|-----------------------|--------------|
| Standards/regulations | EN 61000-4-3 |
|-----------------------|--------------|

Electromagnetic HF field

| | |
|----------|-------------|
| Comments | Criterion A |
|----------|-------------|

Fast transients (burst)

| | |
|-----------------------|--------------|
| Standards/regulations | EN 61000-4-4 |
|-----------------------|--------------|

Fast transients (burst)

| | |
|----------|-------------|
| Comments | Criterion B |
|----------|-------------|

Surge current load (surge)

| | |
|-----------------------|--------------|
| Standards/regulations | EN 61000-4-5 |
|-----------------------|--------------|

Surge current load (surge)

| | |
|----------|-------------|
| Comments | Criterion B |
|----------|-------------|

Conducted interference

| | |
|-----------------------|--------------|
| Standards/regulations | EN 61000-4-6 |
|-----------------------|--------------|

Conducted interference

| | |
|----------|-------------|
| Comments | Criterion A |
| Voltage | 10 V |

Emitted interference

| | |
|-----------------------|----------------------------------|
| Standards/regulations | EN 55011 |
| Comments | Class A, industrial applications |

Criteria

| | |
|-------------|--|
| Criterion A | Normal operating behavior within the specified limits. |
| Criterion B | Temporary impairment to operational behavior that is corrected by the device itself. |

Standards and regulations

| | |
|---|--|
| Free from substances that could impair the application of coating | in accordance with VW-AUDI-Seat central standard P-VW 3.10.7 |
|---|--|

PSI-MOS-RS232/FO 850 T - FO converters



2708423

<https://www.phoenixcontact.com/sk/products/2708423>

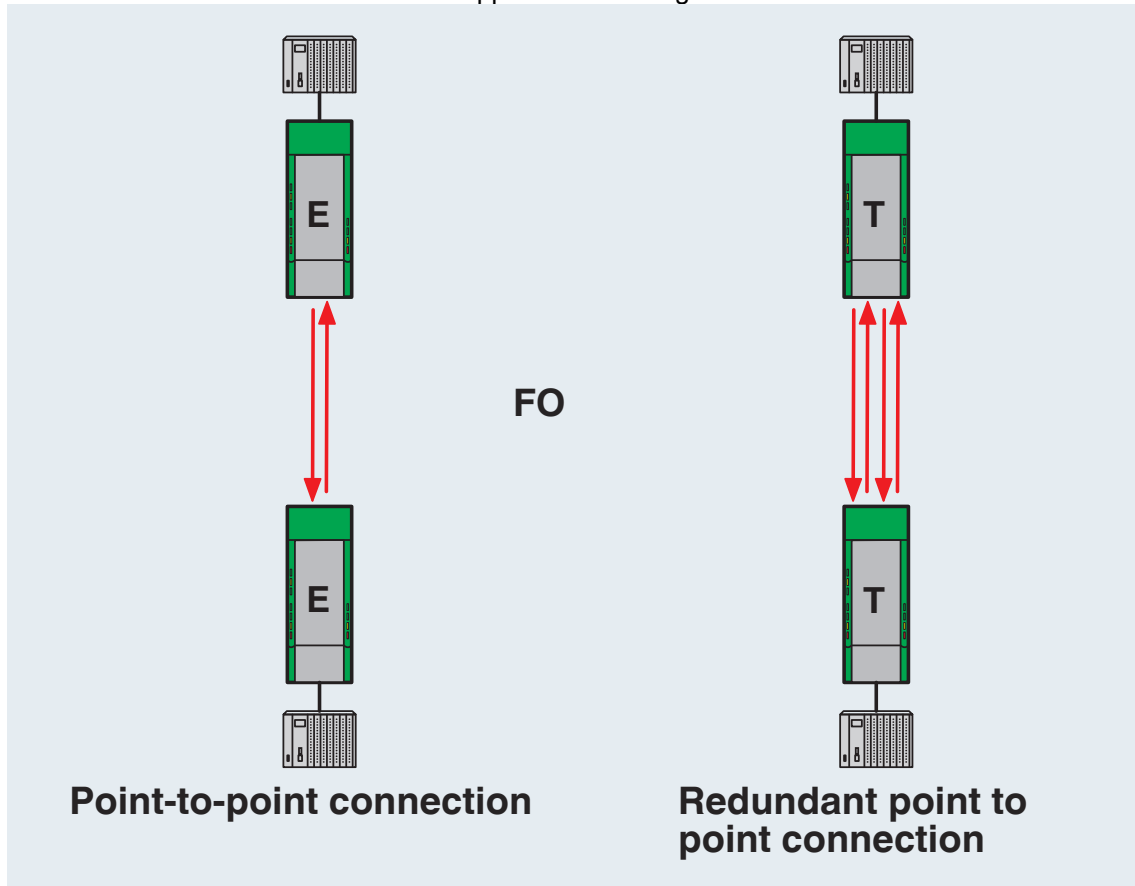
| | |
|--|---------|
| | 57 65 0 |
|--|---------|

Mounting

| | |
|---------------|-------------------|
| Mounting type | DIN rail mounting |
|---------------|-------------------|

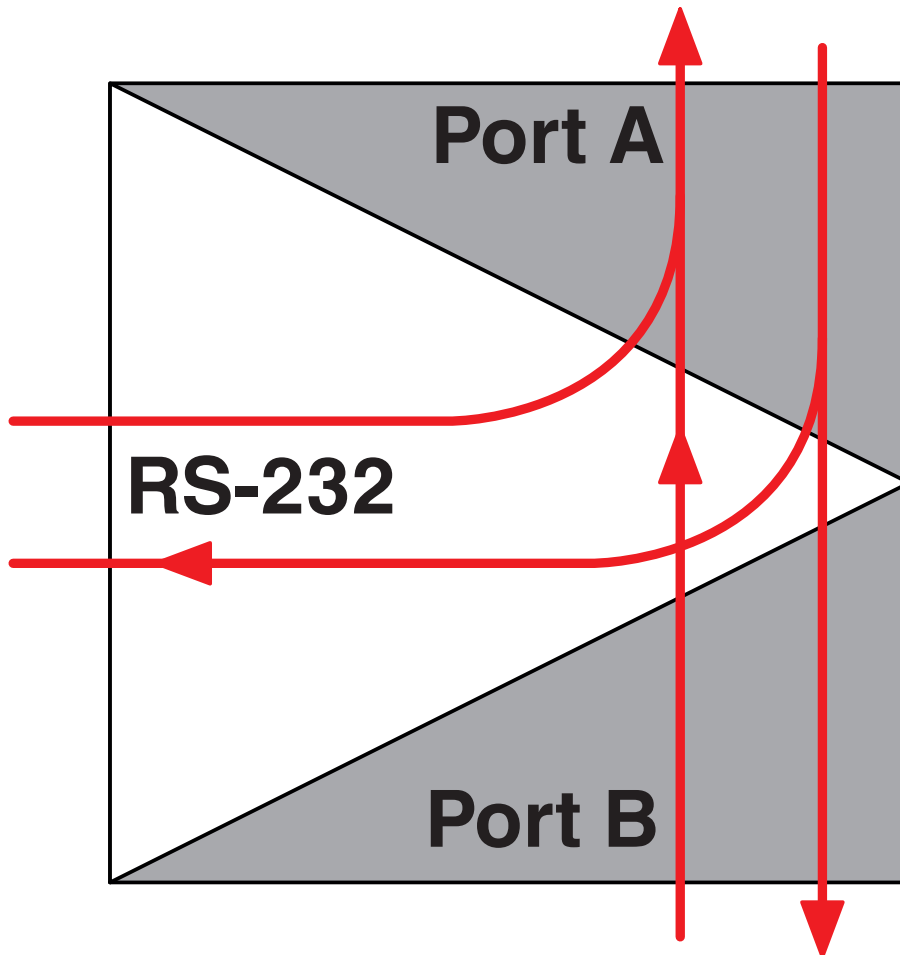
Drawings

Application drawing



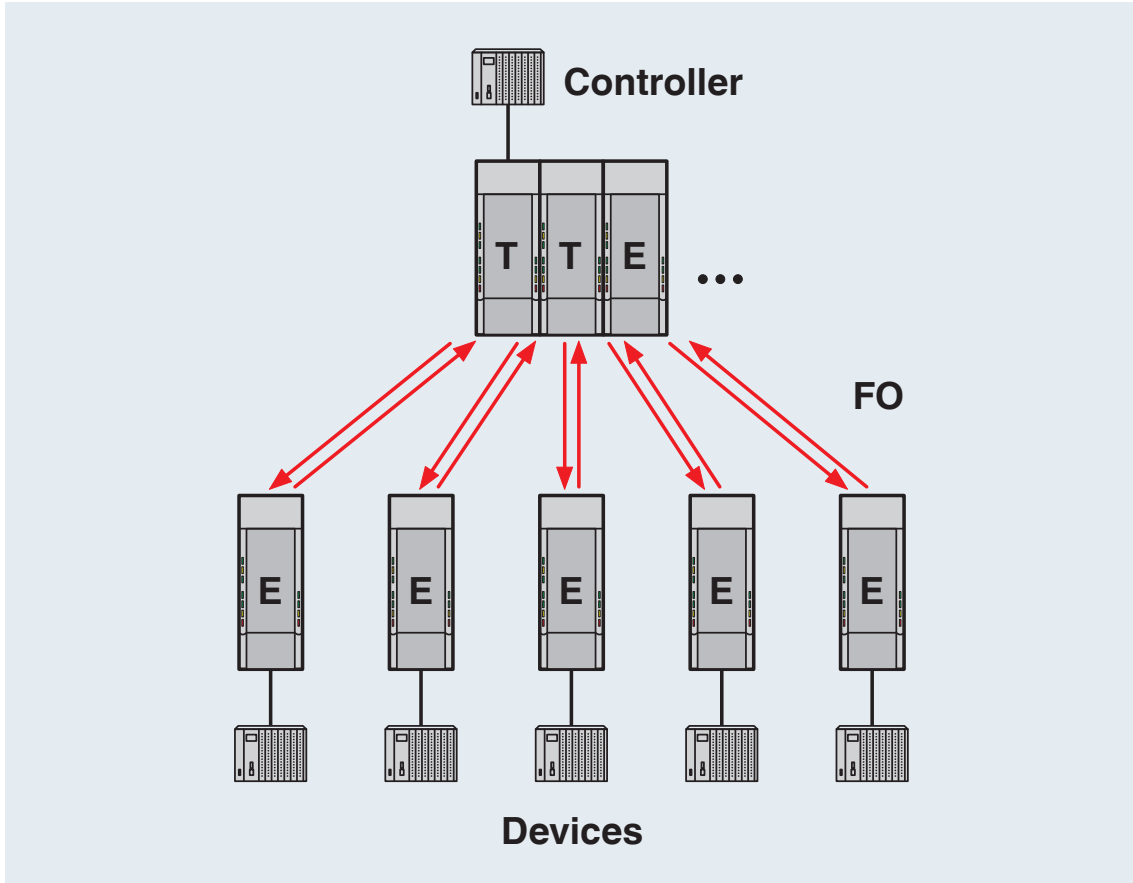
Redundant point-to-point connection

Schematic diagram



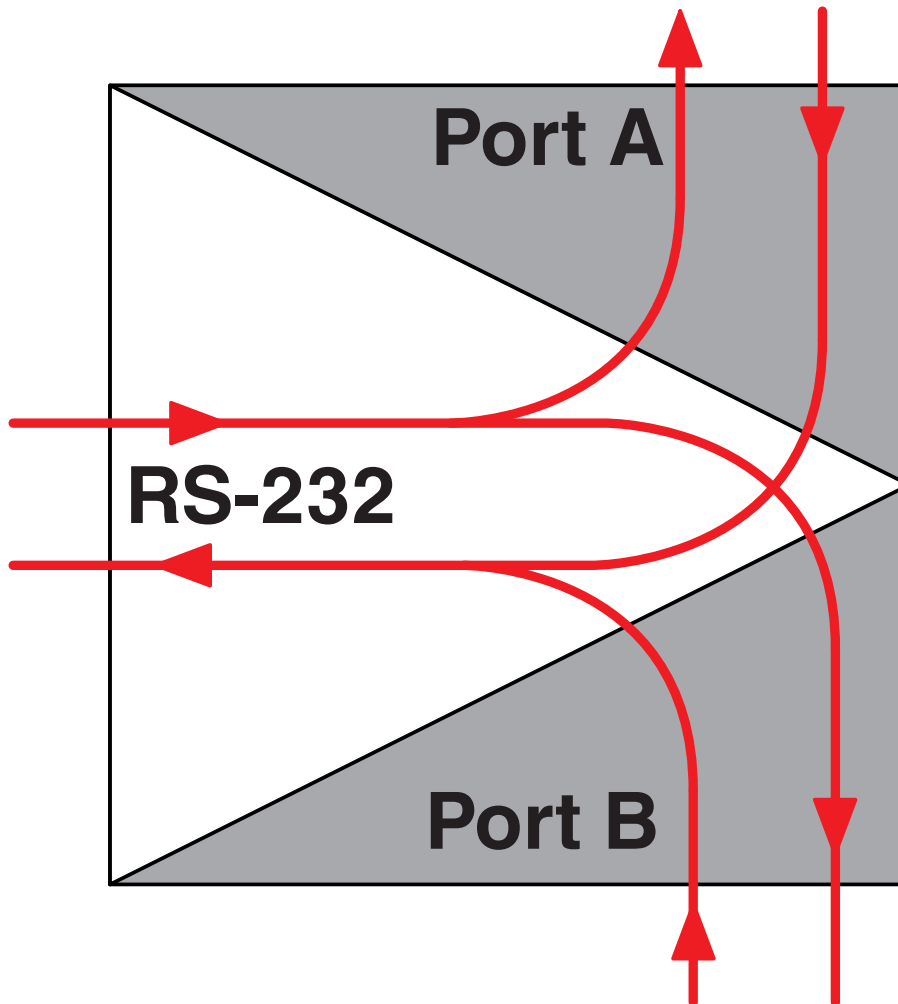
Port assignment in a line structure

Application drawing



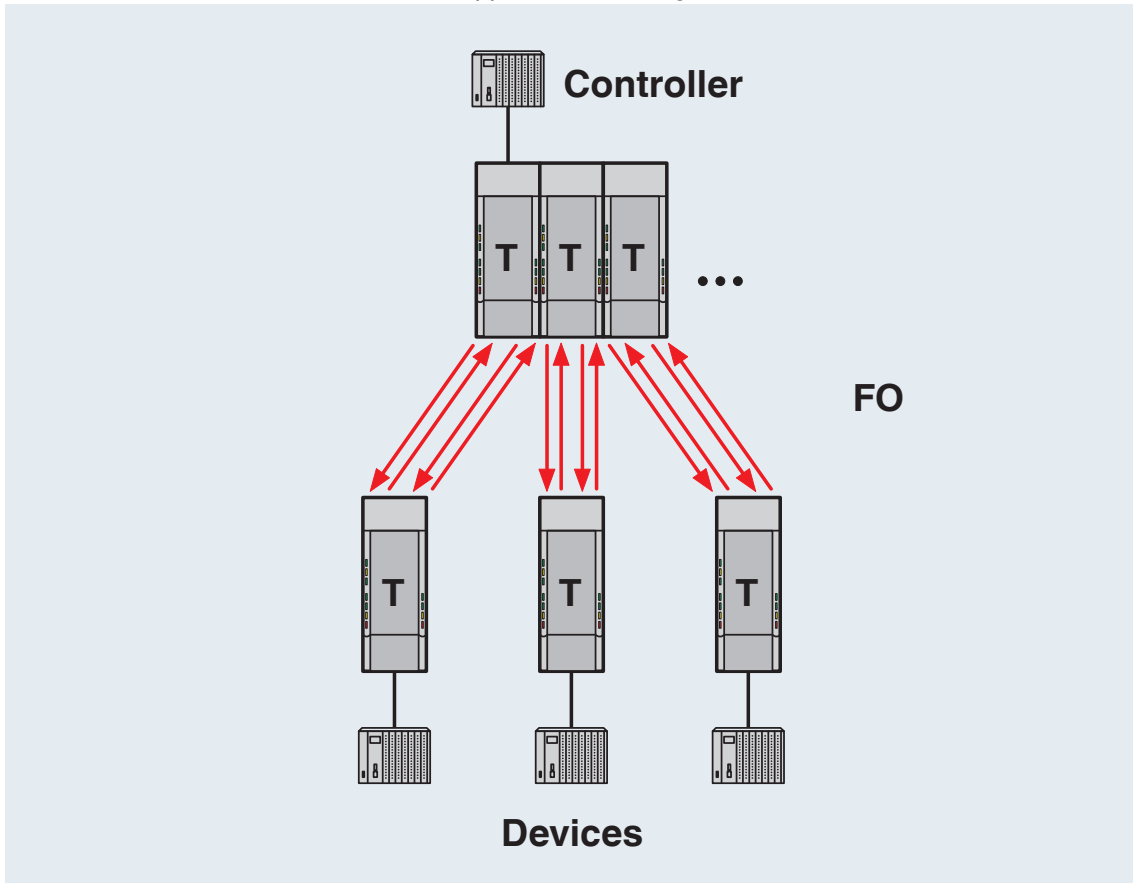
Star structure

Schematic diagram



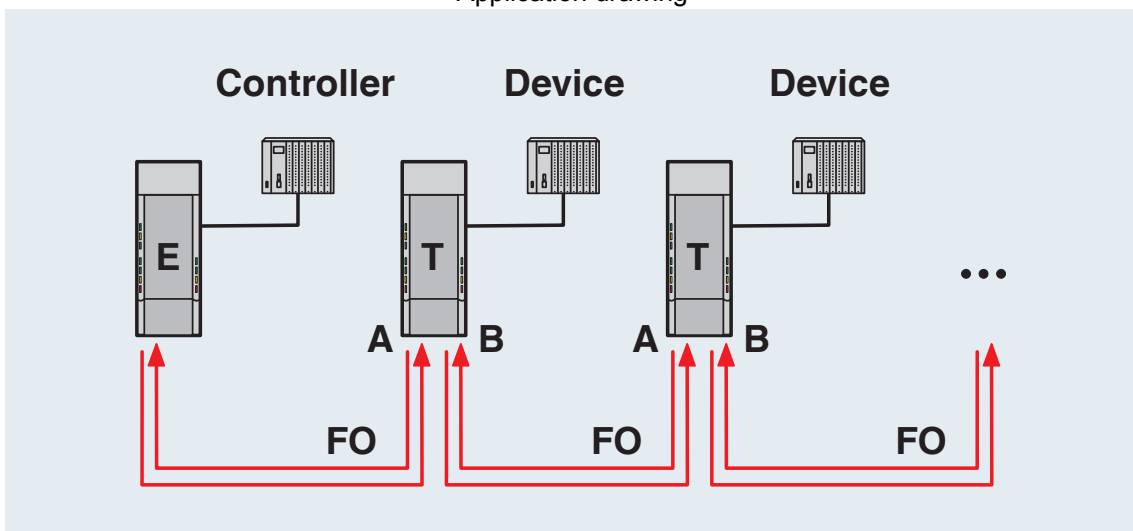
Port assignment in star structures

Application drawing



Redundant structure

Application drawing



Controller-device line structure

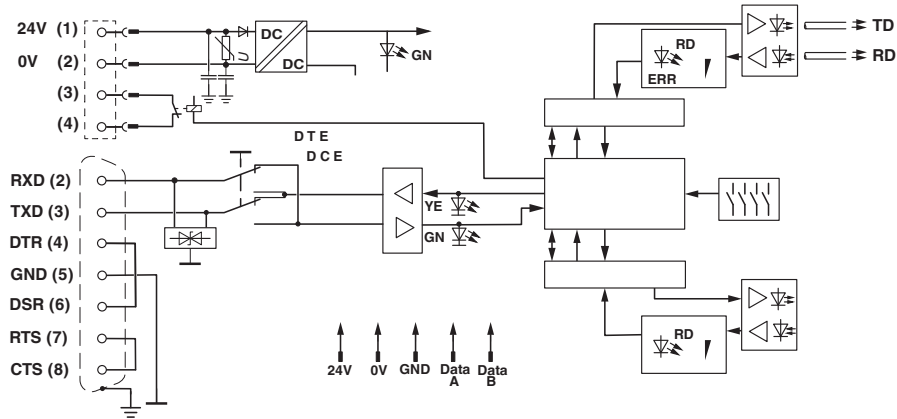
PSI-MOS-RS232/FO 850 T - FO converters



2708423

<https://www.phoenixcontact.com/sk/products/2708423>

Block diagram



*) only with PSI-MOS.../FO...T

2708423

<https://www.phoenixcontact.com/sk/products/2708423>

Approvals

To download certificates, visit the product detail page: <https://www.phoenixcontact.com/sk/products/2708423>



cUL Recognized
Approval ID: FILE E 238705



UL Recognized
Approval ID: FILE E 238705



EAC
Approval ID: RU *-DE.A*30.B.01735

UAE-RoHS

Approval ID: 23-02-63194



ATEX
Approval ID: PTB 06 ATEX 2042U



ATEX
Approval ID: PxCIF06ATEX2708261X



cUL Listed
Approval ID: FILE E 199827



UL Listed
Approval ID: FILE E 199827

cULus Recognized

cULus Listed

PSI-MOS-RS232/FO 850 T - FO converters



2708423

<https://www.phoenixcontact.com/sk/products/2708423>

Classifications

ECLASS

| | |
|-------------|----------|
| ECLASS-11.0 | 19170411 |
| ECLASS-12.0 | 19170411 |
| ECLASS-13.0 | 19170411 |

ETIM

| | |
|----------|----------|
| ETIM 9.0 | EC001467 |
|----------|----------|

UNSPSC

| | |
|-------------|----------|
| UNSPSC 21.0 | 43201500 |
|-------------|----------|

PSI-MOS-RS232/FO 850 T - FO converters



2708423

<https://www.phoenixcontact.com/sk/products/2708423>

Environmental product compliance

| | |
|------------|--|
| REACH SVHC | Lead 7439-92-1 |
| China RoHS | Environmentally Friendly Use Period = 50 years |
| | For information on hazardous substances, refer to the manufacturer's declaration available under "Downloads" |

Phoenix Contact 2024 © - all rights reserved

<https://www.phoenixcontact.com>

PHOENIX CONTACT s.r.o.

Námestie Mateja Korvína 1

811 07 Bratislava

+421 2 3210 1470

obchod.sk@phoenixcontact.com