

# SUBCON-PLUS-PROFIB/PG - D-SUB bus connector



2744403

<https://www.phoenixcontact.com/us/products/2744403>

Please be informed that the data shown in this PDF document is generated from our online catalog. Please find the complete data in the user documentation. Our general terms of use for downloads are valid.



D-SUB connector, 9-pos., male connector, 35° cable entry, bus system: PROFIBUS DP up to 12 Mbps with Pg D-SUB socket for connecting a programming device, termination resistor can be switched on via slide switch, pin assignment: 3, 5, 6, 8; spring-cage connection terminal blocks

## Commercial data

|                                      |                    |
|--------------------------------------|--------------------|
| Item number                          | 2744403            |
| Packing unit                         | 1 pc               |
| Minimum order quantity               | 1 pc               |
| Sales key                            | DN10               |
| Product key                          | DNC531             |
| Catalog page                         | Page 405 (IF-2002) |
| GTIN                                 | 4017918819453      |
| Weight per piece (including packing) | 61.6 g             |
| Weight per piece (excluding packing) | 43.2 g             |
| Customs tariff number                | 85366990           |
| Country of origin                    | DE                 |

# SUBCON-PLUS-PROFIB/PG - D-SUB bus connector



2744403

<https://www.phoenixcontact.com/us/products/2744403>

## Technical data

### Notes

#### Utilization restriction

|            |   |
|------------|---|
| CCCex note | Use in potentially explosive areas is not permitted in China. |
|------------|---|

### Product properties

|                |  |
|----------------|--|
| Product type   | Data plug  |
| MTTF           | 6706 Years (SN 29500 standard, temperature 25°C, operating cycle 21%)    |
|                | 1817 Years (SN 29500 standard, temperature 40°C, operating cycle 34.25%) |
|                | 155 Years (SN 29500 standard, temperature 40°C, operating cycle 100%)    |
| Pin assignment | 3, 5, 6, 8   |

### Electrical properties

|   |         |
|---|---------|
| Maximum power dissipation for nominal condition | 0.025 W |
| Nominal voltage $U_N$                           | 5 V     |
| Nominal current $I_N$                           | 100 mA  |
| Transmission medium                             | Copper  |

### Connection data

#### D-SUB connection

|                   |                 |
|-------------------|-----------------|
| Connection method | D-SUB connector |
|-------------------|-----------------|

#### PCB connection

|  |                        |
|--|------------------------|
| Connection method                          | Spring-cage connection |
| Stripping length                           | 9 mm                   |
| Conductor cross section, rigid min.        | 0.12 mm <sup>2</sup>   |
| Conductor cross section, rigid max.        | 0.5 mm <sup>2</sup>    |
| Single-wire/terminal point, rigid AWG min. | 26                     |
| Single-wire/terminal point, rigid AWG max. | 20                     |

#### Programming connection

|                   |              |
|-------------------|--------------|
| Connection method | D-SUB socket |
|-------------------|--------------|

### Interfaces

|            |             |
|------------|-------------|
| Bus system | PROFIBUS DP |
| Signal     | PROFIBUS    |

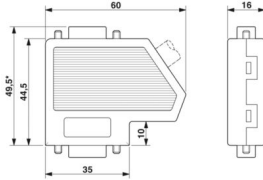
### Dimensions

# SUBCON-PLUS-PROFIB/PG - D-SUB bus connector



2744403

<https://www.phoenixcontact.com/us/products/2744403>

|                     |  |
|---------------------|--|
| Dimensional drawing |  |
| Width               | 16 mm  |
| Height              | 49.5 mm  |
| Length              | 60 mm  |

## Material specifications

|                  |                   |
|------------------|-------------------|
| Material Housing | ABS, metal-plated |
|------------------|-------------------|

## Cable/line

|                             |                                       |
|-----------------------------|---------------------------------------|
| External cable diameter ( ) | 7.6 mm ... 8.4 mm (Incoming bus line) |
|-----------------------------|---------------------------------------|

## Mechanical properties

### Mechanical data

|                             |       |
|-----------------------------|-------|
| Insertion/withdrawal cycles | > 200 |
|-----------------------------|-------|

## Environmental and real-life conditions

### Ambient conditions

|  |  |
|--|--|
| Degree of protection                     | IP40   |
| Ambient temperature (operation)          | -20 °C ... 75 °C   |
| Ambient temperature (storage/transport)  | -25 °C ... 80 °C   |
| Altitude                                 | ≤ 5000 m (For restrictions, see the manufacturer's declaration for altitude operation) |
| Permissible humidity (operation)         | 10 % ... 95 % (non-condensing)   |
| Permissible humidity (storage/transport) | 5 % ... 95 % (non-condensing)  |

## Approvals

### EAC

|                |     |
|----------------|-----|
| Identification | EAC |
|----------------|-----|

### ATEX

|                |   |
|----------------|---|
| Identification | Ⓜ II 3 G Ex ec IIC T4 Gc  |
| Certificate    | PxCIF15ATEX2744348X   |
| Note           | Please follow the special installation instructions in the documentation! |

### UKEX

|                |                          |
|----------------|--------------------------|
| Identification | Ⓜ II 3 G Ex ec IIC T4 Gc |
| Certificate    | PxCIMA22UKEX2744348X     |

## Corrosive gas test

# SUBCON-PLUS-PROFIB/PG - D-SUB bus connector



2744403

<https://www.phoenixcontact.com/us/products/2744403>

|                |                                  |
|----------------|----------------------------------|
| Identification | ISA-S71.04-1985 G3 Harsh Group A |
|----------------|----------------------------------|

## Standards and regulations

|   |   |
|---|---|
| Free from substances that could impair the application of coating | in accordance with VW-AUDI-Seat central standard P-VW 3.10.7<br>57 65 0 |
|---|---|

# SUBCON-PLUS-PROFIB/PG - D-SUB bus connector

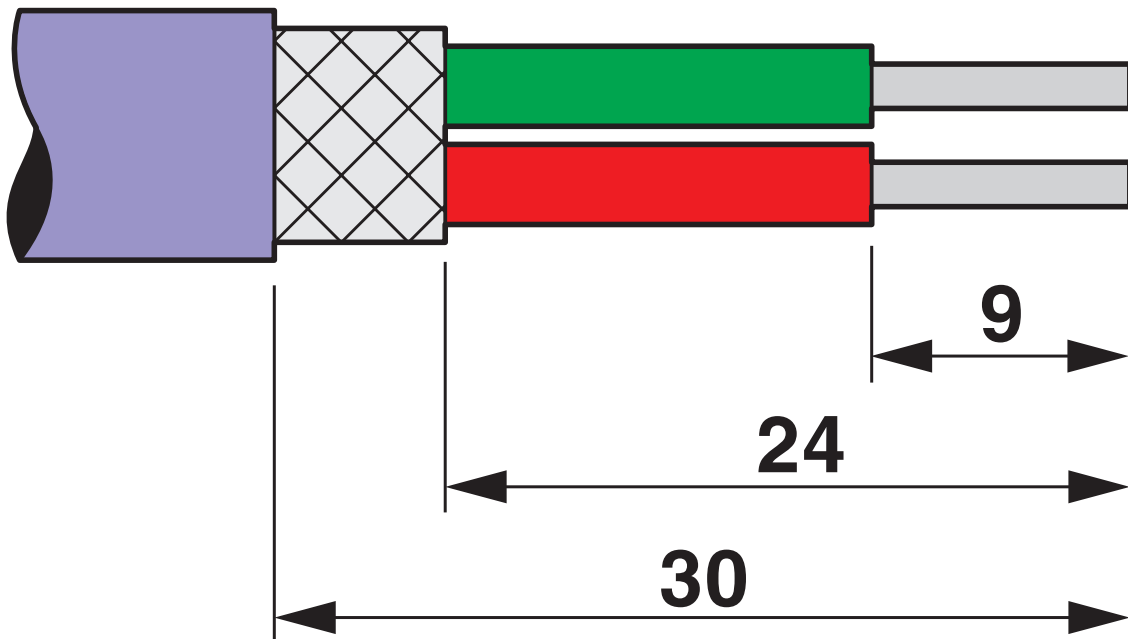


2744403

<https://www.phoenixcontact.com/us/products/2744403>

## Drawings

Schematic diagram



Stripping specifications

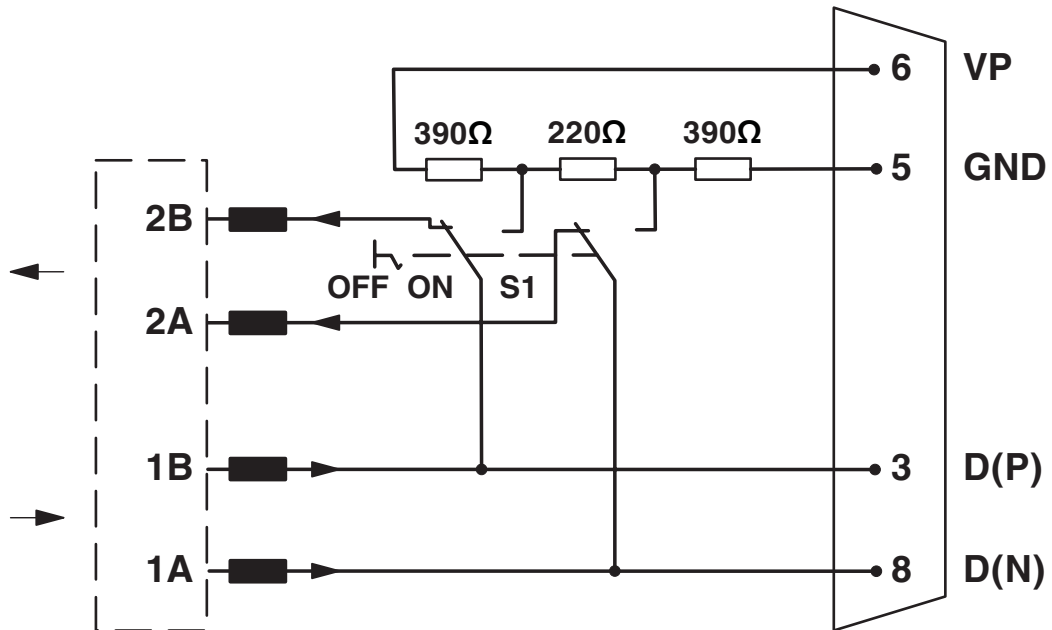
# SUBCON-PLUS-PROFIB/PG - D-SUB bus connector



2744403

<https://www.phoenixcontact.com/us/products/2744403>

Circuit diagram

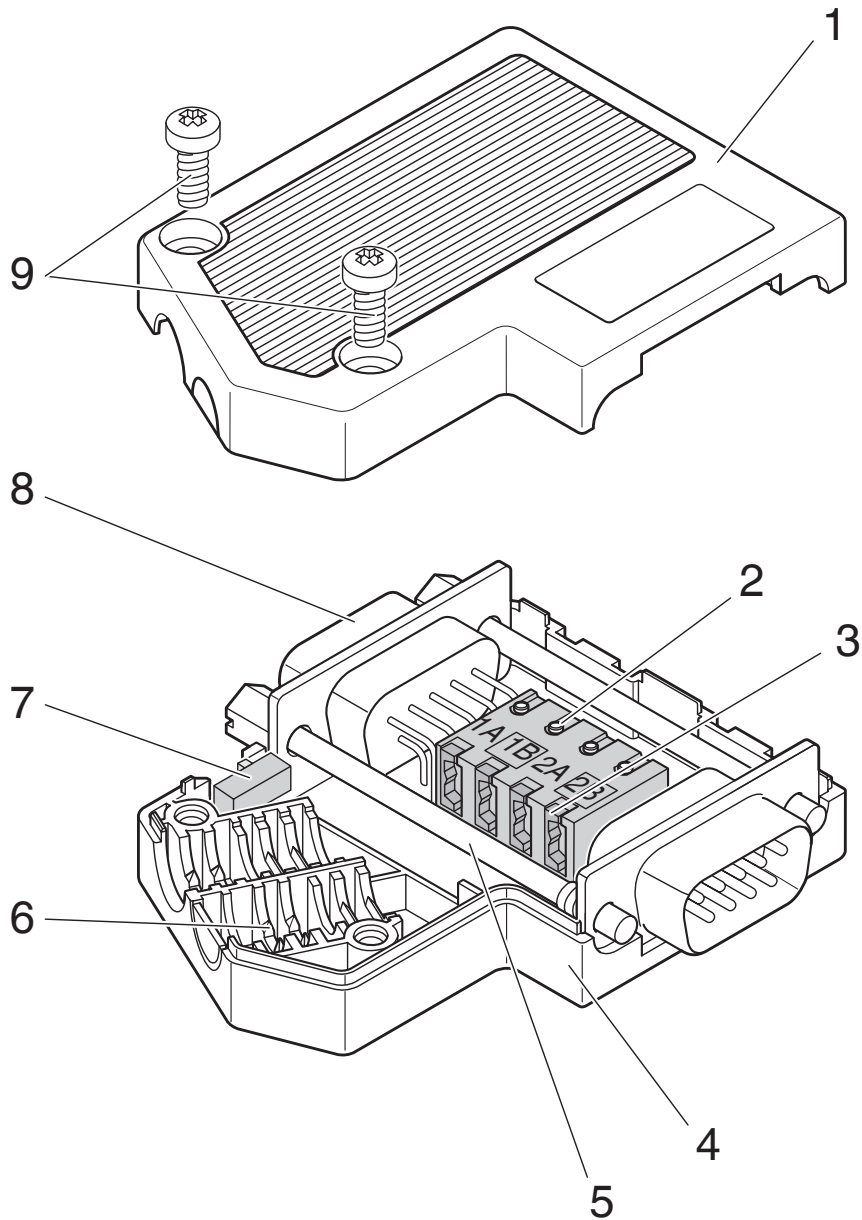


# SUBCON-PLUS-PROFIB/PG - D-SUB bus connector

2744403

<https://www.phoenixcontact.com/us/products/2744403>

Schematic diagram



Function elements

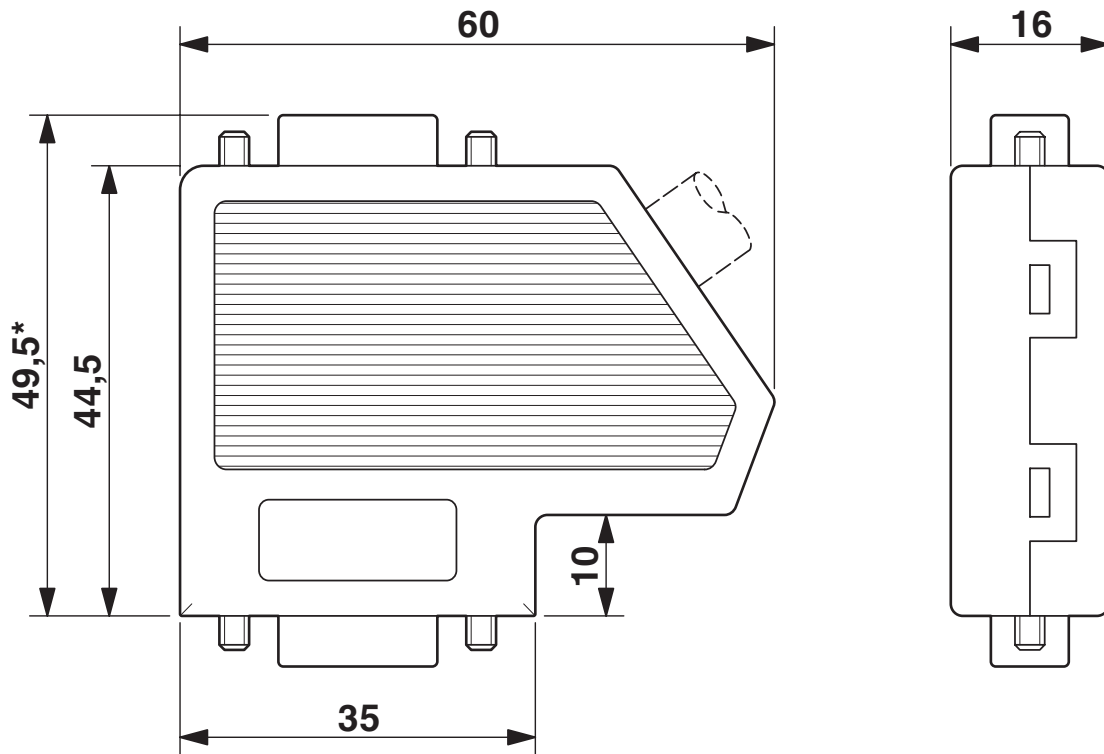
# SUBCON-PLUS-PROFIB/PG - D-SUB bus connector

2744403

<https://www.phoenixcontact.com/us/products/2744403>



Dimensional drawing



Dimensional drawing

# SUBCON-PLUS-PROFIB/PG - D-SUB bus connector



2744403

<https://www.phoenixcontact.com/us/products/2744403>

## Approvals

To download certificates, visit the product detail page: <https://www.phoenixcontact.com/us/products/2744403>



**cUL Recognized**

Approval ID: FILE E 238705



**UL Recognized**

Approval ID: FILE E 238705



**ATEX**

Approval ID: PxCIF15ATEX2744348X

**cULus Recognized**

# SUBCON-PLUS-PROFIB/PG - D-SUB bus connector



2744403

<https://www.phoenixcontact.com/us/products/2744403>

## Classifications

### ECLASS

|             |          |
|-------------|----------|
| ECLASS-11.0 | 27440302 |
| ECLASS-13.0 | 27440302 |
| ECLASS-12.0 | 27440302 |

### ETIM

|          |          |
|----------|----------|
| ETIM 8.0 | EC001132 |
|----------|----------|

### UNSPSC

|             |          |
|-------------|----------|
| UNSPSC 21.0 | 39121400 |
|-------------|----------|

# SUBCON-PLUS-PROFIB/PG - D-SUB bus connector



2744403

<https://www.phoenixcontact.com/us/products/2744403>

## Environmental product compliance

|            |  |
|------------|--|
| China RoHS | Environmentally Friendly Use Period = 50 years<br>For information on hazardous substances, refer to the manufacturer's declaration available under "Downloads" |
|------------|--|

Phoenix Contact 2024 © - all rights reserved  
<https://www.phoenixcontact.com>

Phoenix Contact USA  
586 Fulling Mill Road  
Middletown, PA 17057, United States  
(+717) 944-1300  
[info@phoenixcon.com](mailto:info@phoenixcon.com)