

FLT 100 N/PE-1.5-ST - Type 1 surge protection plug



2800304

<https://www.phoenixcontact.com/no/products/2800304>

Please be informed that the data shown in this PDF document is generated from our online catalog. Please find the complete data in the user documentation. Our general terms of use for downloads are valid.

Type 1/Class I/B arrester (lightning current arrester) replacement plug for N-PE path.



Commercial data

Item number	2800304
Packing unit	10 pc
Minimum order quantity	10 pc
Note	Made to order (non-returnable)
Sales key	31BCL
Product key	CL1131
GTIN	4046356535243
Weight per piece (including packing)	352.1 g
Weight per piece (excluding packing)	227.31 g
Customs tariff number	85363010
Country of origin	DE

FLT 100 N/PE-1.5-ST - Type 1 surge protection plug

2800304

<https://www.phoenixcontact.com/no/products/2800304>

Technical data

Product properties

IEC test classification	I
	T1
EN type	T1
IEC power supply system	TN-S
	TT
Type	Male
Product type	Replacement plug
Number of positions	1
Surge protection fault message	none

Insulation characteristics

Overvoltage category	III
Pollution degree	2

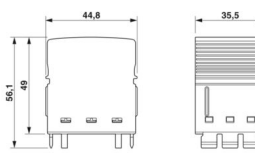
Electrical properties

Nominal frequency f_N	50 Hz (60 Hz)
-------------------------	---------------

Connection data

Connection method	pluggable
-------------------	-----------

Dimensions

Dimensional drawing	
Width	35.5 mm
Height	44.8 mm
Depth	56.1 mm
Horizontal pitch	2 Div.

Material specifications

Color	black (RAL 9005)
Flammability rating according to UL 94	V-0
CTI value of material	600
Insulating material	PA 6.6/PBT
Material group	I
Housing material	PBT

Protective circuit

Mode of protection	N-PE
--------------------	------

FLT 100 N/PE-1.5-ST - Type 1 surge protection plug



2800304

<https://www.phoenixcontact.com/no/products/2800304>

Direction of action	N-PE
Nominal voltage U_N	240 V AC (TN - only N-PE)
	240 V AC (TT - only N-PE)
Nominal frequency f_N	50 Hz (60 Hz)
Maximum continuous voltage U_C	260 V AC
Residual current I_{PE}	≤ 0.01 mA
Nominal discharge current I_n (8/20) μ s	100 kA
Impulse discharge current (10/350) μ s, charge	50 As
Impulse discharge current (10/350) μ s, specific energy	2500 kJ/ Ω
Impulse discharge current (10/350) μ s, peak value I_{imp}	100 kA
Follow current interrupt rating I_{fi}	100 A (260 V AC)
Voltage protection level U_p	≤ 1.5 kV
Residual voltage U_{res}	≤ 1.5 kV (at I_n)
	≤ 1 kV (at 10 kA)
	≤ 0.9 kV (at 5 kA)
	≤ 0.8 kV (at 3 kA)
Front of wave sparkover voltage at 6 kV (1.2/50) μ s	≤ 1.5 kV
TOV behavior at U_T	1200 V AC (200 ms / withstand mode)
Response time t_A	≤ 100 ns

Environmental and real-life conditions

Ambient conditions

Degree of protection	IP20
Ambient temperature (operation)	-40 °C ... 80 °C
Ambient temperature (storage/transport)	-40 °C ... 80 °C
Altitude	≤ 2000 m (amsl)
Permissible humidity (operation)	5 % ... 95 %
Shock (operation)	25g (Half-sine / 11 ms / 3x \pm X, \pm Y, \pm Z)
Vibration (operation)	5g (5 - 500 Hz/2.5 h/X, Y, Z)

Standards and regulations

Air clearances and creepage distances

Standards/regulations	EN 60664-1 / IEC 60664-1 / IEC 61643-11
Standards/specifications	IEC 61643-11
Note	2011
Standards/specifications	EN 61643-11
Note	2012

Mounting

Mounting type	on base element
---------------	-----------------

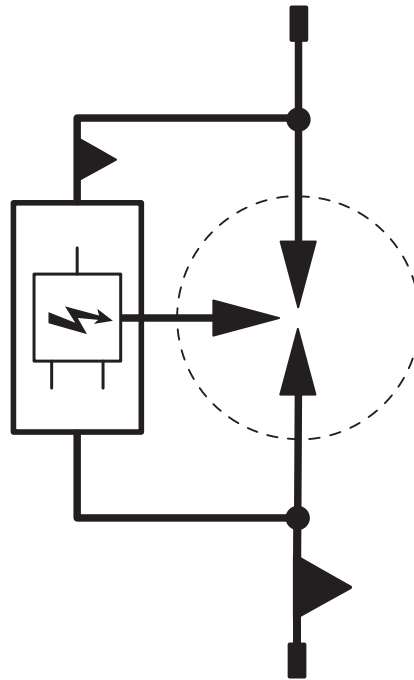
FLT 100 N/PE-1.5-ST - Type 1 surge protection plug

2800304

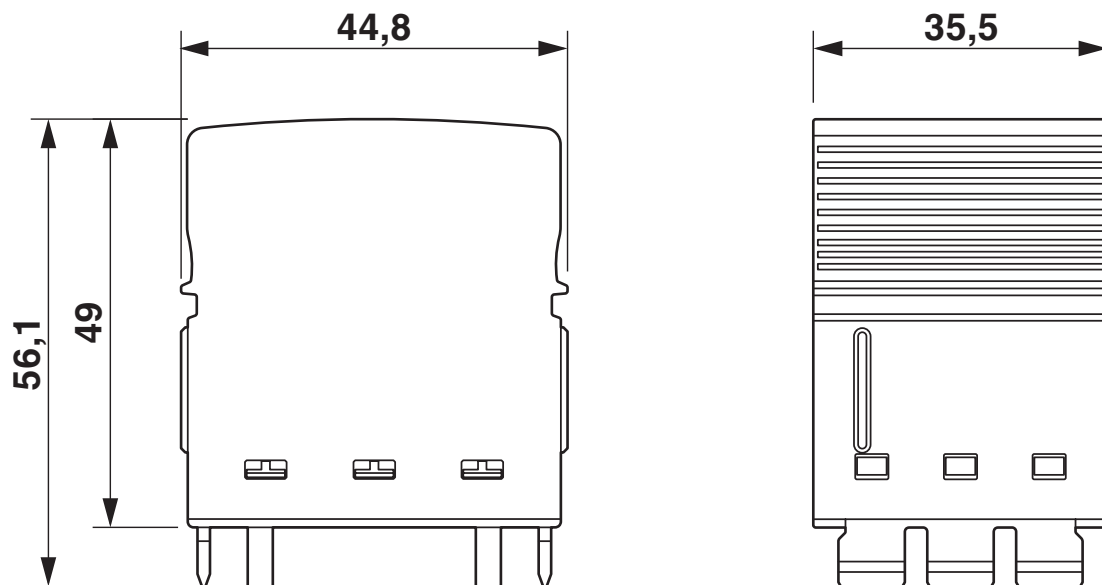
<https://www.phoenixcontact.com/no/products/2800304>

Drawings

Circuit diagram



Dimensional drawing



FLT 100 N/PE-1.5-ST - Type 1 surge protection plug



2800304

<https://www.phoenixcontact.com/no/products/2800304>

Approvals

To download certificates, visit the product detail page: <https://www.phoenixcontact.com/no/products/2800304>



IECEE CB Scheme

Approval ID: NL-58250



EAC

Approval ID: RU C-DE.*09.B.00169

CCA

Approval ID: NTR-NL 7734



KEMA-KEUR

Approval ID: 71-108169

FLT 100 N/PE-1.5-ST - Type 1 surge protection plug



2800304

<https://www.phoenixcontact.com/no/products/2800304>

Classifications

ECLASS

ECLASS-11.0	27130890
ECLASS-13.0	27171292

ETIM

ETIM 9.0	EC002496
----------	----------

UNSPSC

UNSPSC 21.0	39121600
-------------	----------

FLT 100 N/PE-1.5-ST - Type 1 surge protection plug



2800304

<https://www.phoenixcontact.com/no/products/2800304>

Environmental product compliance

REACH SVHC	Lead 7439-92-1
China RoHS	Environmentally Friendly Use Period = 50 years
	For information on hazardous substances, refer to the manufacturer's declaration available under "Downloads"

Phoenix Contact 2024 © - all rights reserved

<https://www.phoenixcontact.com>

PHOENIX CONTACT AS

Strømsveien 344

N-1081 Oslo

+47 22 07 68 00

norge@phoenixcontact.com