

# CB E1 24DC/8A NO P - Electronic circuit breaker



2800906

<https://www.phoenixcontact.com/sg/products/2800906>

Please be informed that the data shown in this PDF document is generated from our online catalog. Please find the complete data in the user documentation. Our general terms of use for downloads are valid.

Electronic circuit breaker, 1-pos., active current limitation, 1 N/O contact, plug for base element.



## Your advantages

- Individually adjustable with protective plugs
- Protective plug with fixed nominal current value as protection against unintentional changes
- Active current limitation to improve the capacity of the upstream power supply
- Increased system transparency with integrated remote message function

## Commercial data

Item number	2800906
Packing unit	1 pc
Minimum order quantity	1 pc
Sales key	*****
Product key	CLA134
Catalog page	Page 382 (C-4-2019)
GTIN	4046356690768
Weight per piece (including packing)	36.4 g
Weight per piece (excluding packing)	36.4 g
Customs tariff number	85362010
Country of origin	DE

# CB E1 24DC/8A NO P - Electronic circuit breaker



2800906

<https://www.phoenixcontact.com/sg/products/2800906>

## Technical data

### Product properties

Type	Male
Product type	Device circuit breakers
Product family	CB E
Number of positions	1
No. of channels	1

### Insulation characteristics

Pollution degree	2
------------------	---

### Electrical properties

#### General

Operating voltage	24 V DC
	18 V DC ... 30 V DC
Nominal current $I_N$	8 A
Rated surge voltage	0.5 kV
Tripping method	E (electronic)
Required backup fuse	not required, integrated failsafe element
Dielectric strength	max. 30 V DC (Load circuit)
Active current limitation	typ. $1.25 \times I_N$
Fuse	electronic
Closed circuit current $I_0$	typ. 8 mA (When switched on)
	typ. 17 mA (With alarm output)
Power dissipation	1.21 W (Nominal operation)
Temperature derating	7.2 A (at 50 °C)
MTBF (IEC 61709, SN 29500)	7200000 h (at 25 °C with 80 % load)
	6330000 h (at 40 °C with 80 % load)
Voltage drop	100 mV (at $I_N$ )
Fail-safe element	15 A DC

#### Load circuit

Shutdown time	100 ms (see time/current characteristic curve)
Undervoltage switch-off	< 14 V (typ. OFF)
	> 17 V (typ. ON)
Max. capacitive load	20000 $\mu$ F

#### Auxiliary contact

Contact connection type	floating signal contact
Minimum operating voltage $U_{min}$ DC	10 V DC
Maximum operating voltage $U_{max}$ DC	30 V DC
Minimum operating current $I_{min}$	10 mA
Max. operating current $I_{max}$	0.5 A

# CB E1 24DC/8A NO P - Electronic circuit breaker



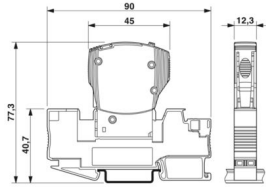
2800906

<https://www.phoenixcontact.com/sg/products/2800906>

## Connection data

Connection method	pluggable
-------------------	-----------

## Dimensions

Dimensional drawing	
Width	12.3 mm
Height	45 mm
Depth	52 mm
Complete module width	12.3 mm
Complete module height	90 mm
Complete module depth	77.3 mm

## Material specifications

Color	gray (RAL 7042) black (RAL 9005)
Flammability rating according to UL 94	V-0

## Environmental and real-life conditions

### Ambient conditions

Degree of protection	IP30 (Actuation area)
Ambient temperature (operation)	-25 °C ... 50 °C
Ambient temperature (storage/transport)	-40 °C ... 70 °C
Humidity test	96 h, 95 % RH, 40 °C
Vibration (operation)	3g (according to IEC 60068-2-6, Test Fc)

## Approvals

### UL approval

Identification	UL Listed UL 508 UL Recognized UL 2367
----------------	---

### Shipbuilding approval

Identification	DNV GL
----------------	--------

## Standards and regulations

Standard designation	EMV
Standards/specifications	EN 61000-6-3
Note	Interference emission
Standard designation	EMV

# CB E1 24DC/8A NO P - Electronic circuit breaker



2800906

<https://www.phoenixcontact.com/sg/products/2800906>

Standards/specifications	EN 61000-6-2
Note	Noise immunity

## Mounting

Mounting type	on base element
---------------	-----------------

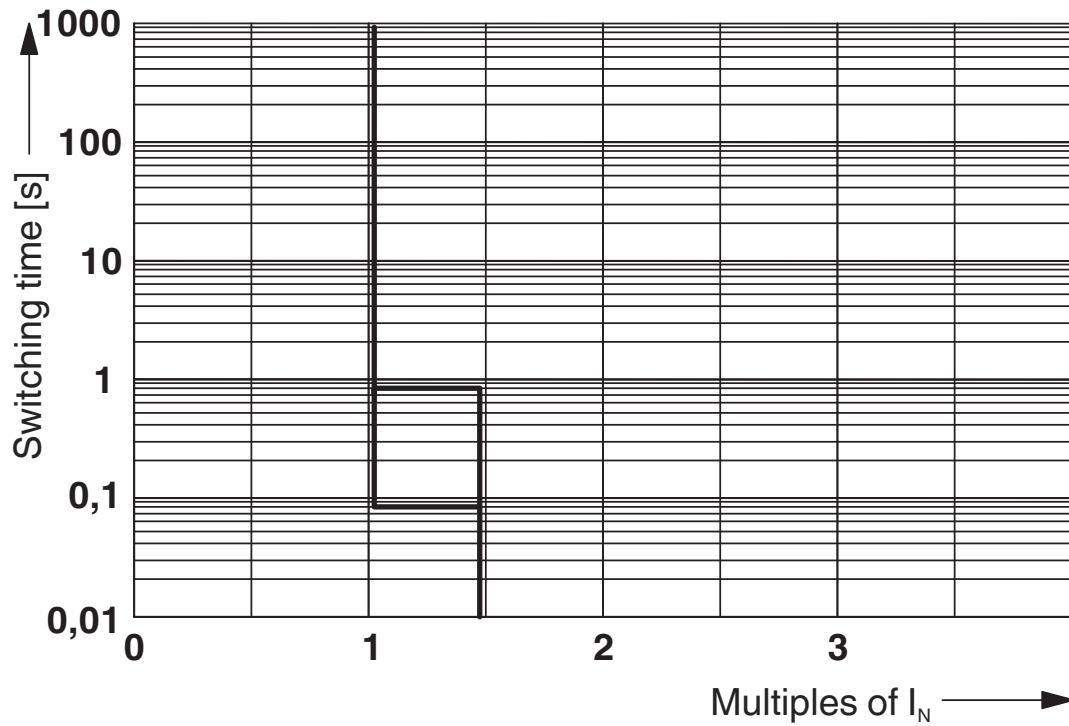
# CB E1 24DC/8A NO P - Electronic circuit breaker

2800906

<https://www.phoenixcontact.com/sg/products/2800906>

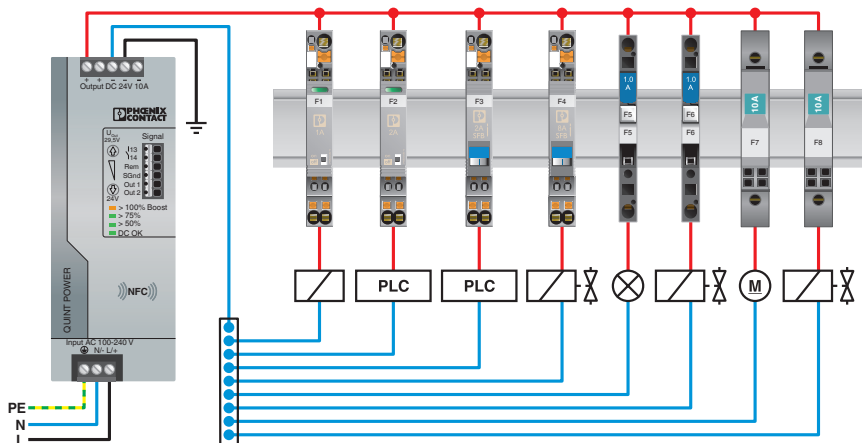
## Drawings

Diagram



Trigger characteristic

Application drawing

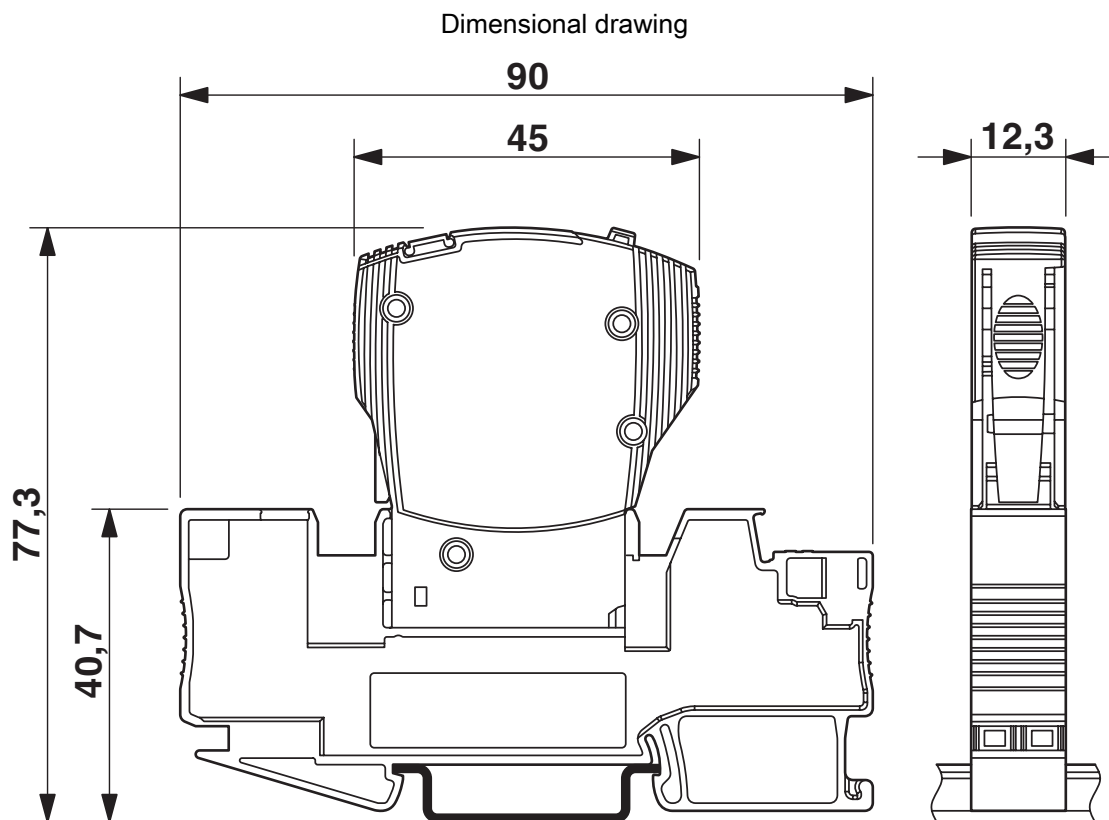


# CB E1 24DC/8A NO P - Electronic circuit breaker

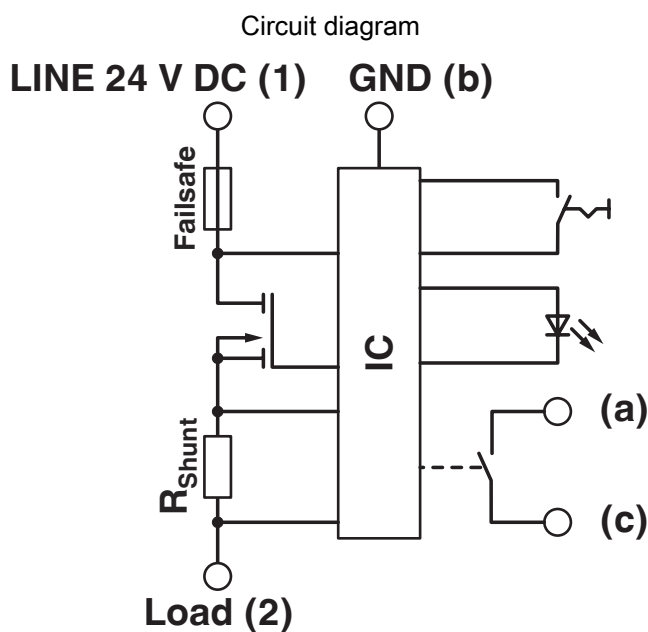


2800906

<https://www.phoenixcontact.com/sg/products/2800906>



The figure shows the complete module consisting of a base element and connector



# CB E1 24DC/8A NO P - Electronic circuit breaker



2800906

<https://www.phoenixcontact.com/sg/products/2800906>

## Approvals

To download certificates, visit the product detail page: <https://www.phoenixcontact.com/sg/products/2800906>



**UL Recognized**

Approval ID: FILE E 317172



**DNV GL**

Approval ID: TAE00003KA



**UL Listed**

Approval ID: FILE E 140324



**cUL Listed**

Approval ID: FILE E 140324

**cULus Listed**

# CB E1 24DC/8A NO P - Electronic circuit breaker



2800906

<https://www.phoenixcontact.com/sg/products/2800906>

## Classifications

### ECLASS

ECLASS-11.0	27140401
ECLASS-12.0	27140401
ECLASS-13.0	27140401

### ETIM

ETIM 9.0	EC003538
----------	----------

### UNSPSC

UNSPSC 21.0	39121400
-------------	----------



# CB E1 24DC/8A NO P - Electronic circuit breaker



2800906

<https://www.phoenixcontact.com/sg/products/2800906>

## Environmental product compliance

REACH SVHC	Lead 7439-92-1
China RoHS	Environmentally Friendly Use Period = 25;
	For information on hazardous substances, refer to the manufacturer's declaration available under "Downloads"

Phoenix Contact 2024 © - all rights reserved

<https://www.phoenixcontact.com>

PHOENIX CONTACT SEA Pte. Ltd.

105 Eunos Avenue 3, #04-00

Singapore 409836

+65 6228 4900

[marketing@phoenixcontact.com.sg](mailto:marketing@phoenixcontact.com.sg)