

# PT 5-HF- 5 DC-ST - Surge protection plug



2838762

<https://www.phoenixcontact.com/us/products/2838762>

Please be informed that the data shown in this PDF document is generated from our online catalog. Please find the complete data in the user documentation. Our general terms of use for downloads are valid.

Protective plug PT with HF protective circuit for 4 signal wires. Nominal voltage: 5 V DC



## Your advantages

- Easy testing and documentation with CHECKMASTER 2 with pluggable protective modules
- Maximum ease of maintenance, thanks to the 2-piece design
- Easy selection for all possible demands in MCR applications with a complete product portfolio
- The signal is not influenced during maintenance work, thanks to the impedance-neutral insertion and removal of protective plugs

## Commercial data

Item number	2838762
Packing unit	10 pc
Minimum order quantity	10 pc
Sales key	CL03
Product key	CL3121
Catalog page	Page 173 (C-4-2019)
GTIN	4017918480653
Weight per piece (including packing)	26.605 g
Weight per piece (excluding packing)	25.26 g
Customs tariff number	85363010
Country of origin	DE

# PT 5-HF- 5 DC-ST - Surge protection plug

2838762

<https://www.phoenixcontact.com/us/products/2838762>

## Technical data

### Product properties

IEC test classification	C1
	C2
	C3
	D1
VDE requirement class	C1
	C2
	C3
	D1
Type	Male
Product type	Surge protection for information technology
Product family	PLUGTRAB PT
Number of positions	5
Surge protection fault message	none
Arrester can be tested with CHECKMASTER from software version:	From SW rev. 1.00
Wire pairs per module	2

### Insulation characteristics

Overvoltage category	III
Pollution degree	2

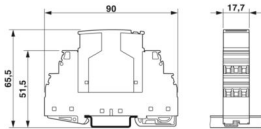
### Electrical properties

Nominal voltage $U_N$	5 V DC
-----------------------	--------

### Connection data

Connection method	Screw connection (in connection with the base element)
Screw thread	M3
Tightening torque	0.8 Nm
Conductor cross section flexible	0.2 mm <sup>2</sup> ... 2.5 mm <sup>2</sup>
Conductor cross section rigid	0.2 mm <sup>2</sup> ... 4 mm <sup>2</sup>
Conductor cross section AWG	24 ... 12

### Dimensions

Dimensional drawing	
Width	17.7 mm
Height	45 mm
Depth	52 mm

# PT 5-HF- 5 DC-ST - Surge protection plug



2838762

<https://www.phoenixcontact.com/us/products/2838762>

Horizontal pitch	1 Div.
Complete module width	17.7 mm
Complete module height	90 mm
Complete module depth	65.5 mm

## Material specifications

Color	black (RAL 9005) Copper
Flammability rating according to UL 94	V-0
Housing material	PA

## Mechanical properties

### Mechanical data

Open side panel	No
-----------------	----

## Protective circuit

Direction of action	Line-Line & Line-Signal Ground/Shield & optional Signal Ground/Shield-Earth Ground
Maximum continuous voltage $U_C$	5.2 V DC 3.6 V AC
Rated current	450 mA (45 °C)
Operating effective current $I_C$ at $U_C$	$\leq 300 \mu\text{A}$
Residual current $I_{PE}$	$\leq 300 \mu\text{A}$ (with PT 2X2-BE) $\leq 1 \mu\text{A}$ (with PT 2X2+F-BE)
Nominal discharge current $I_n$ (8/20) $\mu\text{s}$ (line-line)	10 kA
Nominal discharge current $I_n$ (8/20) $\mu\text{s}$ (line-ground)	10 kA
Pulse discharge current $I_{imp}$ (10/350) $\mu\text{s}$	2.5 kA
Total discharge current $I_{total}$ (8/20) $\mu\text{s}$	20 kA
Max. discharge current $I_{max}$ (8/20) $\mu\text{s}$ maximum (line-line)	10 kA
Max. discharge current $I_{max}$ (8/20) $\mu\text{s}$ maximum (line-earth)	10 kA
Nominal pulse current $I_{an}$ (10/1000) $\mu\text{s}$ (line-line)	90 A
Output voltage limitation at 1 kV/ $\mu\text{s}$ (line-line) spike	$\leq 55 \text{ V}$
Output voltage limitation at 1 kV/ $\mu\text{s}$ (line-earth) spike	$\leq 55 \text{ V}$ (with PT 2X2-BE) $\leq 700 \text{ V}$ (with PT 2X2+F-BE)
Output voltage limitation at 1 kV/ $\mu\text{s}$ (line-line) static	$\leq 15 \text{ V}$
Output voltage limitation at 1 kV/ $\mu\text{s}$ (line-earth) static	$\leq 15 \text{ V}$ $\leq 30 \text{ V}$ (with PT 2X2+F-BE)
Residual voltage at $I_n$ (conductor-conductor)	$\leq 15 \text{ V}$
Residual voltage at $I_n$ (conductor-ground)	$\leq 30 \text{ V}$ (with PT 2X2-BE)
Residual voltage at $I_n$ (line-signalground)	$\leq 15 \text{ V}$ (with PT 2X2-BE)
Residual voltage with $I_{an}$ (10/1000) $\mu\text{s}$ (line-line)	$\leq 15 \text{ V}$
Residual voltage with $I_{an}$ (10/1000) $\mu\text{s}$ (line-signalground)	$\leq 15 \text{ V}$
Voltage protection level $U_p$ (line-line)	$\leq 70 \text{ V}$ (C1 - 1 kV / 500 A) $\leq 45 \text{ V}$ (C3 - 25 A)

# PT 5-HF- 5 DC-ST - Surge protection plug



2838762

<https://www.phoenixcontact.com/us/products/2838762>

	≤ 100 V (C2 - 10 kV / 5 kA)
	≤ 70 V (6 kV / 3 kA)
Voltage protection level $U_p$ (line-earth)	≤ 80 V (C1 - 1 kV / 500 A)
	≤ 110 V (C2 - 10 kV / 5 kA)
	≤ 100 V (6 kV / 3 kA)
	≤ 45 V (C3 - 25 A)
Voltage protection level $U_p$ (line-signalground)	≤ 45 V (C3 - 25 A)
Response time $t_A$ (line-line)	≤ 500 ns
Response time $t_A$ (line-earth)	≤ 500 ns
Response time $t_A$ (line-signalground)	≤ 500 ns
Input attenuation aE, sym.	typ. 0.3 dB (≤ 5 MHz / 100 Ω)
Cut-off frequency $f_g$ (3 dB), sym. in 100 Ω system	typ. 60 MHz
Capacity (Core-Core)	typ. 30 pF
Resistance per path	2.2 Ω ±10 % (1-2/5-6/7-8/11-12)
Surge protection fault message	none
Max. required back-up fuse	500 mA (T)
Impulse durability (line-line)	C2 - 10 kV / 5 kA
	C3 - 90 A
Impulse durability (line-earth)	C2 - 10 kV / 5 kA
	C3 - 90 A
	D1 - 2.5 kA

## Environmental and real-life conditions

### Ambient conditions

Degree of protection	IP20
Ambient temperature (operation)	-40 °C ... 85 °C
Altitude	max. 2000 m

## Standards and regulations

VDE requirement class	C1
	C2
	C3
	D1

### Air clearances and creepage distances

Standards/regulations	DIN EN 61664-1 / IEC 60664-1
Standards/specifications	EN 61643-21/A1
Note	2009
Standards/specifications	IEC 61643-21/A1
Note	2008

## Mounting

Mounting type	on base element
---------------	-----------------

# PT 5-HF- 5 DC-ST - Surge protection plug

2838762

<https://www.phoenixcontact.com/us/products/2838762>



Phoenix Contact 2024 © - all rights reserved

<https://www.phoenixcontact.com>

Phoenix Contact USA  
586 Fulling Mill Road  
Middletown, PA 17057, United States  
(+717) 944-1300  
[info@phoenixcon.com](mailto:info@phoenixcon.com)