

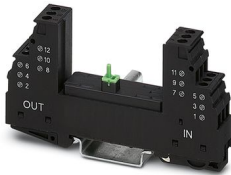
PT 2X2-BE - Surge protection base-element



2839208

<https://www.phoenixcontact.com/us/products/2839208>

Please be informed that the data shown in this PDF document is generated from our online catalog. Please find the complete data in the user documentation. Our general terms of use for downloads are valid.



Base element for protective plug PT with protective circuit for two 2-wire floating signal circuit, bridge between the connections 3-4 (GND) and 9-10, for mounting on NS 35/7.5 and NS 35/15, housing width: 17.5 mm

Your advantages

- Maximum ease of maintenance, thanks to the 2-piece design
- Easy selection for all possible demands in MCR applications with a complete product portfolio
- The signal is not influenced during maintenance work, thanks to the impedance-neutral insertion and removal of protective plugs

Commercial data

Item number	2839208
Packing unit	10 pc
Minimum order quantity	10 pc
Sales key	CL21
Product key	CL2111
Catalog page	Page 123 (C-4-2019)
GTIN	4017918182748
Weight per piece (including packing)	57.32 g
Weight per piece (excluding packing)	50.23 g
Customs tariff number	85363010
Country of origin	DE

PT 2X2-BE - Surge protection base-element

2839208

<https://www.phoenixcontact.com/us/products/2839208>

Technical data

Notes

General	When the PT...-BE base elements are used, the connections 9/10 (GND) are directly connected to the DIN rail via the metal mounting foot.
---------	---

Product properties

Type	Base element, DIN rail mounting
Product type	Base element
Product family	PLUGTRAB PT
Number of positions	4
Surge protection fault message	none
Wire pairs per module	2

Insulation characteristics

Overvoltage category	III
Pollution degree	2

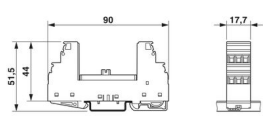
Electrical properties

Nominal voltage U_N	24 V AC
	24 V DC

Connection data

Connection method	Screw connection
Screw thread	M3
Tightening torque	0.5 Nm
Conductor cross section flexible	0.2 mm ² ... 2.5 mm ²
Conductor cross section rigid	0.2 mm ² ... 4 mm ²
Conductor cross section AWG	24 ... 12

Dimensions

Dimensional drawing	
Width	17.7 mm
Height	90 mm
Depth	51.5 mm (incl. DIN rail 7.5 mm)
Horizontal pitch	1 Div.

Material specifications

Color	black (RAL 9005)
	Copper

PT 2X2-BE - Surge protection base-element



2839208

<https://www.phoenixcontact.com/us/products/2839208>

Flammability rating according to UL 94	V-0
Housing material	PA 6.6

Mechanical properties

Mechanical data

Open side panel	No
-----------------	----

Protective circuit

Maximum continuous voltage U_C	40 V DC
	28 V AC
Rated current	450 mA (45 °C)
Resistance per path	2.2 Ω \pm 10 %
Max. required back-up fuse	500 mA (T)

Environmental and real-life conditions

Ambient conditions

Degree of protection	IP20
Ambient temperature (operation)	-40 °C ... 85 °C
Ambient temperature (storage/transport)	-40 °C ... 85 °C
Altitude	\leq 2000 m (amsl)

Standards and regulations

Air clearances and creepage distances

Standards/regulations	VDE 0110-1
Standards/specifications	IEC 61643-21
Note	2000 + corrigendum 2001 + A1:2008, modified + A2:2012
Standards/specifications	EN 61643-21
Note	2001 + A1:2009 + A2:2013

Mounting

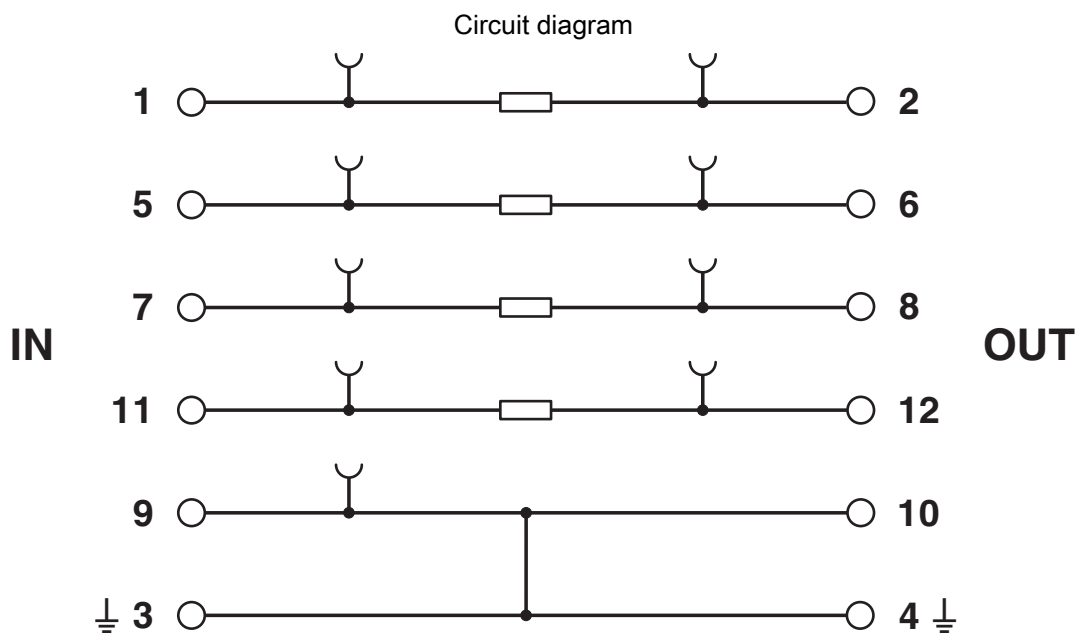
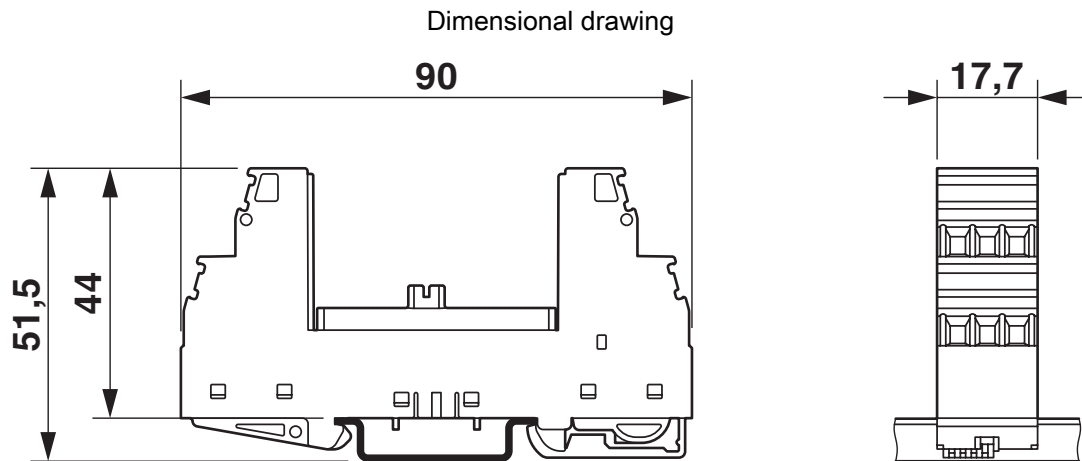
Mounting type	DIN rail: 35 mm
---------------	-----------------

PT 2X2-BE - Surge protection base-element

2839208

<https://www.phoenixcontact.com/us/products/2839208>

Drawings

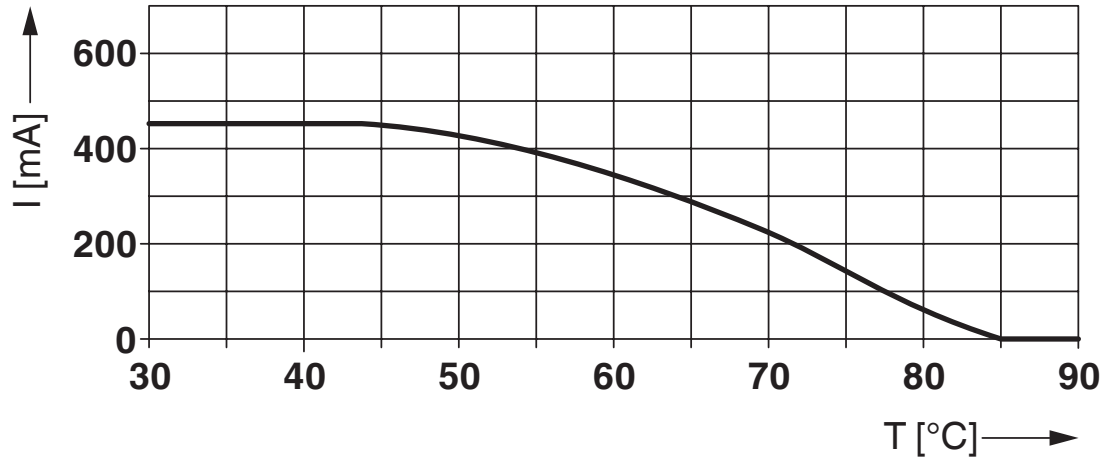


PT 2X2-BE - Surge protection base-element

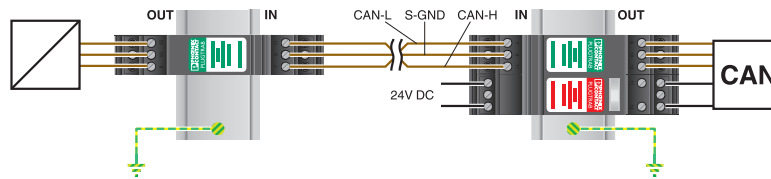
2839208

<https://www.phoenixcontact.com/us/products/2839208>

Diagram



Application drawing



PT 2X2-BE - Surge protection base-element



2839208

<https://www.phoenixcontact.com/us/products/2839208>

Approvals

To download certificates, visit the product detail page: <https://www.phoenixcontact.com/us/products/2839208>



EAC

Approval ID: EAC-Zulassung



DNV GL

Approval ID: TAE00001N6



EAC

Approval ID: RU C-DE.*09.B.00169



UL Listed

Approval ID: FILE E 138168

Nominal voltage U_N	Nominal current I_N	Cross section AWG	Cross section mm^2
17 V	0.45 A	-	-



cUL Listed

Approval ID: FILE E 333250



UL Listed

Approval ID: FILE E 333250

cULus Listed

PT 2X2-BE - Surge protection base-element



2839208

<https://www.phoenixcontact.com/us/products/2839208>

Classifications

ECLASS

ECLASS-11.0	27130803
ECLASS-13.0	27171592

ETIM

ETIM 9.0	EC002497
----------	----------

UNSPSC

UNSPSC 21.0	39121600
-------------	----------

PT 2X2-BE - Surge protection base-element



2839208

<https://www.phoenixcontact.com/us/products/2839208>

Environmental product compliance

China RoHS	Environmentally friendly use period: unlimited = EFUP-e
	No hazardous substances above threshold values

Phoenix Contact 2024 © - all rights reserved
<https://www.phoenixcontact.com>

Phoenix Contact USA
586 Fulling Mill Road
Middletown, PA 17057, United States
(+717) 944-1300
info@phoenixcon.com