

PT 4- 5DC-ST - Surge protection plug



2839211

<https://www.phoenixcontact.com/au/products/2839211>

Please be informed that the data shown in this PDF document is generated from our online catalog. Please find the complete data in the user documentation. Our general terms of use for downloads are valid.



Protective plug PT with protective circuit for a 4-core floating signal circuit. Nominal voltage: 5 V DC

Your advantages

- Easy testing and documentation with CHECKMASTER 2 with pluggable protective modules
- Maximum ease of maintenance, thanks to the 2-piece design
- Easy selection for all possible demands in MCR applications with a complete product portfolio
- The signal is not influenced during maintenance work, thanks to the impedance-neutral insertion and removal of protective plugs

Commercial data

Item number	2839211
Packing unit	10 pc
Minimum order quantity	1 pc
Sales key	CL2111
Product key	CL2111
Catalog page	Page 144 (C-4-2019)
GTIN	4017918182755
Weight per piece (including packing)	26.13 g
Weight per piece (excluding packing)	20.656 g
Customs tariff number	85363010
Country of origin	DE

PT 4- 5DC-ST - Surge protection plug

2839211

<https://www.phoenixcontact.com/au/products/2839211>

Technical data

Product properties

IEC test classification	C1
	C2
	C3
	D1
VDE requirement class	C1
	C2
	C3
	D1
Type	Male
Product type	Surge protection for MCR technology
Product family	PLUGTRAB PT
Surge protection fault message	none
Arrester can be tested with CHECKMASTER from software version:	From SW rev. 1.00

Insulation characteristics

Overvoltage category	III
Pollution degree	2

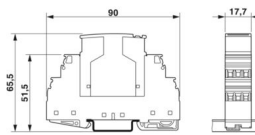
Electrical properties

Nominal voltage U_N	5 V DC
-----------------------	--------

Connection data

Connection method	Screw connection (in connection with the base element)
Screw thread	M3
Tightening torque	0.5 Nm
Conductor cross section flexible	0.2 mm ² ... 2.5 mm ²
Conductor cross section rigid	0.2 mm ² ... 4 mm ²
Conductor cross section AWG	24 ... 12

Dimensions

Dimensional drawing	
Width	17.7 mm
Height	45 mm
Depth	52 mm
Horizontal pitch	1 Div.
Complete module width	17.7 mm

PT 4- 5DC-ST - Surge protection plug



2839211

<https://www.phoenixcontact.com/au/products/2839211>

Complete module height	90 mm
Complete module depth	65.5 mm

Material specifications

Color	black (RAL 9005) Copper
Flammability rating according to UL 94	V-0
Housing material	PA 6.6

Mechanical properties

Mechanical data

Open side panel	No
-----------------	----

Protective circuit

Direction of action	Line-Line & Line-Signal Ground/Shield & optional Signal Ground/Shield-Earth Ground
Maximum continuous voltage U_C	6 V DC 4 V AC
Rated current	2 A (80 °C)
Operating effective current I_C at U_C	$\leq 300 \mu\text{A}$
Residual current I_{PE}	$\leq 4 \mu\text{A}$ (Directly grounded) $\leq 1 \mu\text{A}$ (with PT 4+F-BE)
Nominal discharge current I_n (8/20) μs (line-line)	720 A
Nominal discharge current I_n (8/20) μs (line-ground)	10 kA
Pulse discharge current I_{imp} (10/350) μs	2.5 kA (per path)
Total discharge current I_{total} (8/20) μs	20 kA
Max. discharge current I_{max} (8/20) μs maximum (line-line)	720 A
Max. discharge current I_{max} (8/20) μs maximum (line-earth)	10 kA
Nominal pulse current I_{an} (10/1000) μs (line-line)	160 A
Output voltage limitation at 1 kV/ μs (line-line) spike	$\leq 13 \text{ V}$
Output voltage limitation at 1 kV/ μs (line-earth) spike	$\leq 450 \text{ V}$ $\leq 1 \text{ kV}$ (with PT 4+F-BE)
Output voltage limitation at 1 kV/ μs (line-line) static	$\leq 10 \text{ V}$
Residual voltage at I_n (conductor-conductor)	$\leq 40 \text{ V}$
Residual voltage with I_{an} (10/1000) μs (line-line)	$\leq 20 \text{ V}$
Voltage protection level U_p (line-line)	$\leq 30 \text{ V}$ (C1 - 1 kV / 500 A)
Voltage protection level U_p (line-earth)	$\leq 450 \text{ V}$ $\leq 1 \text{ kV}$ (with PT 4+F-BE)
Response time t_A (line-line)	$\leq 1 \text{ ns}$
Response time t_A (line-earth)	$\leq 100 \text{ ns}$
Response time t_A (line-signalground)	$\leq 1 \text{ ns}$
Input attenuation aE, sym.	0.1 dB ($\leq 250 \text{ kHz}$)
Cut-off frequency f_g (3 dB), sym. in 50 Ω system	typ. 1 MHz
Surge protection fault message	none

PT 4- 5DC-ST - Surge protection plug



2839211

<https://www.phoenixcontact.com/au/products/2839211>

Max. required back-up fuse	2 A (T)
Impulse durability (line-line)	C1 - 1 kV / 500 A
	C3 - 100 A
Impulse durability (line-earth)	C2 - 10 kV / 5 kA
	D1 - 2.5 kA

Environmental and real-life conditions

Ambient conditions

Degree of protection	IP20
Ambient temperature (operation)	-40 °C ... 85 °C

Standards and regulations

VDE requirement class	C1
	C2
	C3
	D1

Air clearances and creepage distances

Standards/regulations	VDE 0110-1 / IEC 60664-1
-----------------------	--------------------------

Standards Information technology specification

Standards/regulations	IEC 61643-21
	DIN EN 61643-21
	UL 497B
	IEC 61643-21
	DIN EN 61643-21
	UL 497B
Standards/specifications	IEC 61643-21
Note	2000

Mounting

Mounting type	on base element
---------------	-----------------

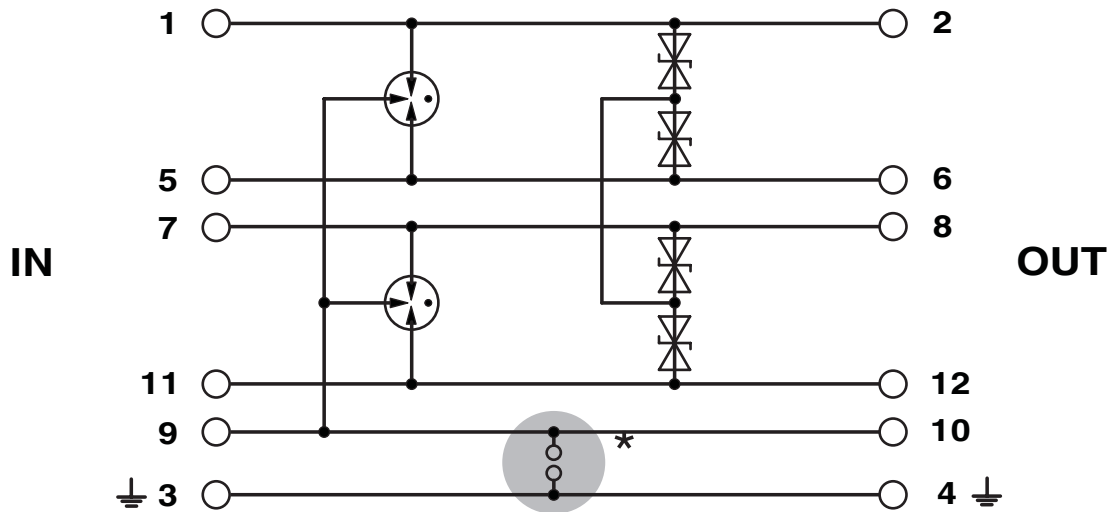
PT 4- 5DC-ST - Surge protection plug

2839211

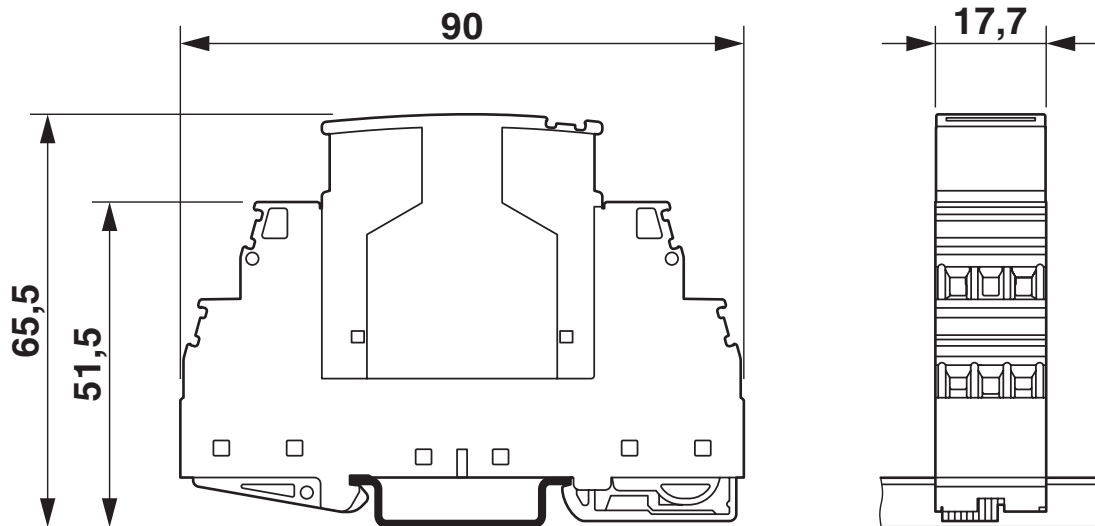
<https://www.phoenixcontact.com/au/products/2839211>

Drawings

Circuit diagram



Dimensional drawing



The figure shows the complete module consisting of a base element and connector

PT 4- 5DC-ST - Surge protection plug



2839211

<https://www.phoenixcontact.com/au/products/2839211>

Approvals

To download certificates, visit the product detail page: <https://www.phoenixcontact.com/au/products/2839211>



EAC

Approval ID: EAC-Zulassung



EAC

Approval ID: RU C-DE.*09.B.00169



UL Listed

Approval ID: FILE E 138168

	Nominal voltage U_N	Nominal current I_N	Cross section AWG	Cross section mm^2
	5 V	2 A	-	-



cUL Listed

Approval ID: FILE E 333250



UL Listed

Approval ID: FILE E 333250

cULus Listed

PT 4- 5DC-ST - Surge protection plug



2839211

<https://www.phoenixcontact.com/au/products/2839211>

Classifications

ECLASS

ECLASS-11.0	27130807
ECLASS-13.0	27171501

ETIM

ETIM 9.0	EC001625
----------	----------

UNSPSC

UNSPSC 21.0	39121600
-------------	----------

PT 4- 5DC-ST - Surge protection plug



2839211

<https://www.phoenixcontact.com/au/products/2839211>

Environmental product compliance

REACH SVHC	Lead 7439-92-1
China RoHS	Environmentally Friendly Use Period = 50 years
	For information on hazardous substances, refer to the manufacturer's declaration available under "Downloads"

Phoenix Contact 2024 © - all rights reserved
<https://www.phoenixcontact.com>

PHOENIX CONTACT PTY Ltd
Unit 7, 2-8 South Street
Rydalmere NSW 2116
1300 786 411
customerservice@phoenixcontact.com.au