

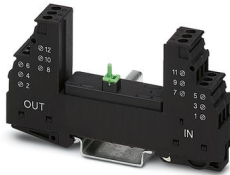
# PT 2X2+F-BE - Surge protection base-element



2839224

<https://www.phoenixcontact.com/us/products/2839224>

Please be informed that the data shown in this PDF document is generated from our online catalog. Please find the complete data in the user documentation. Our general terms of use for downloads are valid.



Base element for protective plug PT with protective circuit for two 2-wire floating signal circuit, gas-filled surge arrester between the connections 3-4 (GND) and 9-10, for mounting on NS 35/7.5 and NS 35/15, housing width: 17.5 mm

## Your advantages

- Maximum ease of maintenance, thanks to the 2-piece design
- Easy selection for all possible demands in MCR applications with a complete product portfolio
- The signal is not influenced during maintenance work, thanks to the impedance-neutral insertion and removal of protective plugs

## Commercial data

Item number	2839224
Packing unit	10 pc
Minimum order quantity	10 pc
Sales key	CL21
Product key	CL2111
Catalog page	Page 123 (C-4-2019)
GTIN	4017918182762
Weight per piece (including packing)	58.2 g
Weight per piece (excluding packing)	58.2 g
Customs tariff number	85363010
Country of origin	DE

# PT 2X2+F-BE - Surge protection base-element



2839224

<https://www.phoenixcontact.com/us/products/2839224>

## Technical data

### Notes

General	In the base elements <b>PT...+F-BE</b> , the connections 9/10 (GND) are linked to the mounting foot via a gas-filled surge arrester.
---------	--

### Product properties

Type	Base element, DIN rail mounting
Product type	Base element
Product family	PLUGTRAB PT
Number of positions	4
Surge protection fault message	none
Wire pairs per module	2

### Insulation characteristics

Overvoltage category	III
Pollution degree	2

### Electrical properties

Nominal voltage $U_N$	24 V AC
	24 V DC

### Connection data

Connection method	Screw connection
Screw thread	M3
Tightening torque	0.5 Nm
Conductor cross section flexible	0.2 mm <sup>2</sup> ... 2.5 mm <sup>2</sup>
Conductor cross section rigid	0.2 mm <sup>2</sup> ... 4 mm <sup>2</sup>
Conductor cross section AWG	24 ... 12

### Dimensions

Dimensional drawing	
Width	17.7 mm
Height	90 mm
Depth	51.5 mm (incl. DIN rail 7.5 mm)
Horizontal pitch	1 Div.

### Material specifications

Color	black (RAL 9005)
	Copper

# PT 2X2+F-BE - Surge protection base-element



2839224

<https://www.phoenixcontact.com/us/products/2839224>

Flammability rating according to UL 94	V-0
Housing material	PA 6.6

## Mechanical properties

### Mechanical data

Open side panel	No
-----------------	----

## Protective circuit

Direction of action	Signal Ground/Shield-Earth Ground
Maximum continuous voltage $U_C$	40 V DC
	28 V AC
Rated current	450 mA (45 °C)
Resistance per path	2.2 $\Omega$ $\pm$ 10 %
Surge protection fault message	none
Max. required back-up fuse	500 mA (T)

## Environmental and real-life conditions

### Ambient conditions

Degree of protection	IP20
Ambient temperature (operation)	-40 °C ... 85 °C
Ambient temperature (storage/transport)	-40 °C ... 85 °C
Altitude	$\leq$ 2000 m (amsl)

## Standards and regulations

### Air clearances and creepage distances

Standards/regulations	VDE 0110-1
Standards/specifications	IEC 61643-21
Note	2000 + corrigendum 2001 + A1:2008, modified + A2:2012
Standards/specifications	EN 61643-21
Note	2001 + A1:2009 + A2:2013

## Mounting

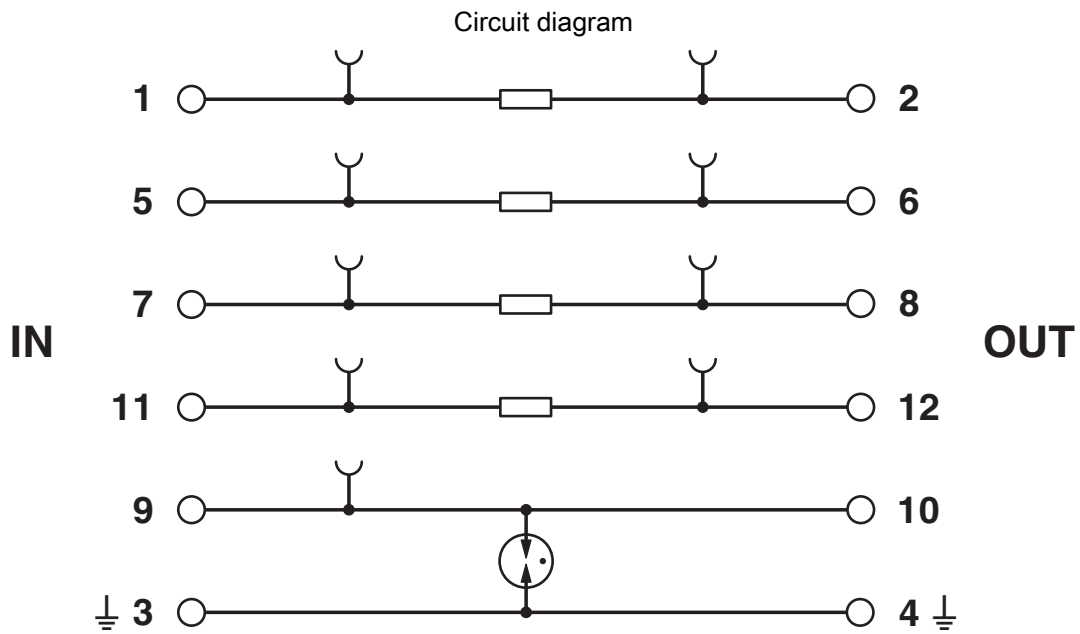
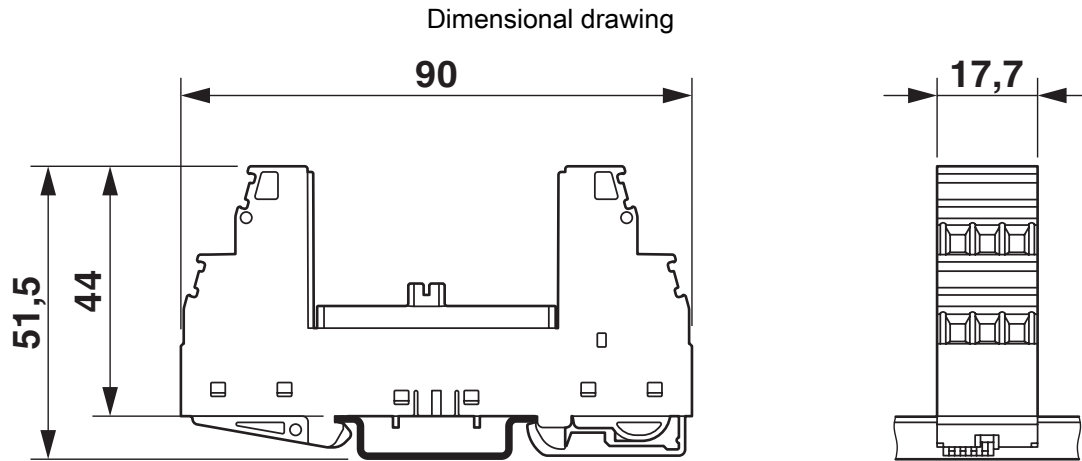
Mounting type	DIN rail: 35 mm
---------------	-----------------

# PT 2X2+F-BE - Surge protection base-element

2839224

<https://www.phoenixcontact.com/us/products/2839224>

## Drawings



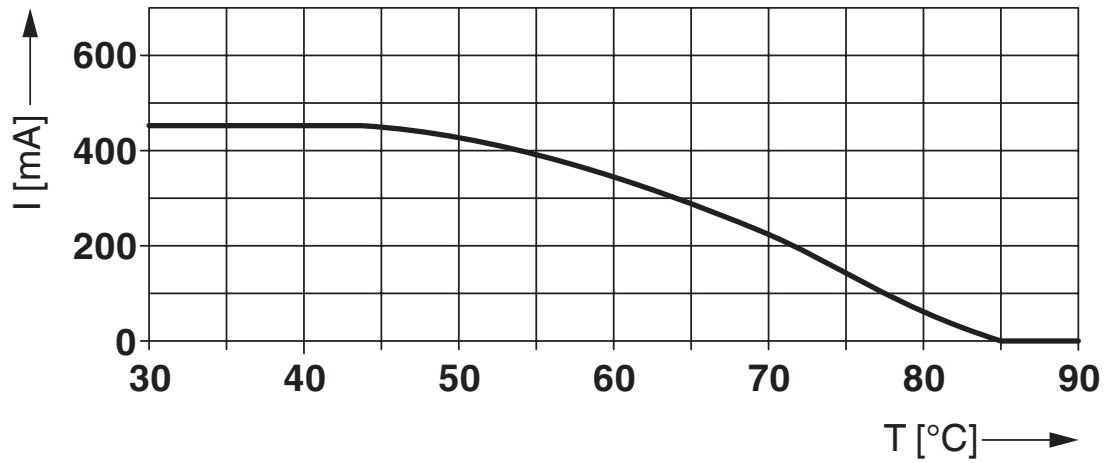
# PT 2X2+F-BE - Surge protection base-element



2839224

<https://www.phoenixcontact.com/us/products/2839224>

Diagram



# PT 2X2+F-BE - Surge protection base-element



2839224

<https://www.phoenixcontact.com/us/products/2839224>

## Approvals

To download certificates, visit the product detail page: <https://www.phoenixcontact.com/us/products/2839224>



**EAC**

Approval ID: EAC-Zulassung



**DNV GL**

Approval ID: TAE00001N6



**EAC**

Approval ID: RU C-DE.\*09.B.00169



**UL Listed**

Approval ID: FILE E 138168



**cUL Listed**

Approval ID: FILE E 333250



**UL Listed**

Approval ID: FILE E 333250

**cULus Listed**

# PT 2X2+F-BE - Surge protection base-element



2839224

<https://www.phoenixcontact.com/us/products/2839224>

## Classifications

### ECLASS

ECLASS-11.0	27130803
ECLASS-13.0	27171592

### ETIM

ETIM 9.0	EC002497
----------	----------

### UNSPSC

UNSPSC 21.0	39121600
-------------	----------

# PT 2X2+F-BE - Surge protection base-element



2839224

<https://www.phoenixcontact.com/us/products/2839224>

## Environmental product compliance

China RoHS	Environmentally friendly use period: unlimited = EFUP-e
	No hazardous substances above threshold values

Phoenix Contact 2024 © - all rights reserved  
<https://www.phoenixcontact.com>

Phoenix Contact USA  
586 Fulling Mill Road  
Middletown, PA 17057, United States  
(+717) 944-1300  
[info@phoenixcon.com](mailto:info@phoenixcon.com)