

IBS IL 24 BK-LK-PAC - Bus coupler



2861218

<https://www.phoenixcontact.com/us/products/2861218>

Please be informed that the data shown in this PDF document is generated from our online catalog. Please find the complete data in the user documentation. Our general terms of use for downloads are valid.



Inline, Bus coupler, INTERBUS, F-SMA connector, transmission speed in the local bus: 500 kbps, degree of protection: IP20, including Inline connector and labeling field

Product description

The bus coupler connects an Inline station to the INTERBUS remote bus. It provides the supply voltages for the connected analog modules.

Your advantages

- Remote bus connections using fiber optic technology
- Optical path diagnostics

Commercial data

Item number	2861218
Packing unit	1 pc
Minimum order quantity	1 pc
Sales key	DR01
Product key	DRI111
Catalog page	Page 246 (AX-2009)
GTIN	4017918894160
Weight per piece (including packing)	285.9 g
Weight per piece (excluding packing)	220 g
Customs tariff number	85389091
Country of origin	DE

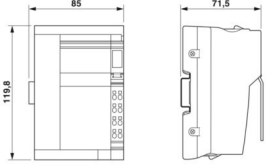
IBS IL 24 BK-LK-PAC - Bus coupler

2861218

<https://www.phoenixcontact.com/us/products/2861218>

Technical data

Dimensions

Dimensional drawing	
Width	85 mm
Height	119.8 mm
Depth	71.5 mm

Interfaces

INTERBUS

Number of interfaces	2
Connection method	F-SMA connector
Transmission speed	500 kbps
Transmission physics	FO

Inline local bus

Number of interfaces	1
Connection method	Inline data jumper
Transmission speed	500 kbps

System properties

System limits

Number of supported devices	max. 63
Number of local bus devices that can be connected	max. 63
Number of devices with parameter channel	max. 62
Number of supported branch terminals with remote bus branch	max. 15

Module

ID code (dec.)	04
ID code (hex)	04
Length code (hex)	00
Length code (dec)	00
Process data channel	0 bit
Input address area	0 Byte
Output address area	0 Byte
Register length	0 bit

Product properties

IBS IL 24 BK-LK-PAC - Bus coupler



2861218

<https://www.phoenixcontact.com/us/products/2861218>

Type	modular
Product type	I/O component
Product family	Inline
Scope of delivery	including Inline connector and labeling field

Electrical properties

Maximum power dissipation for nominal condition	30 W
Protective circuit	Short-circuit protection of the communications power; electronic
	Short-circuit protection of the analog supply; electronic
	Surge protection (bus coupler supply)
	Protection against polarity reversal (bus coupler supply)

Potentials

Protective circuit	Surge protection of the supply voltage
	Polarity reversal protection of the supply voltage

Potentials: Bus coupler supply U_{BK} ; Communications power U_L (7.5 V) and the analog supply U_{ANA} (24 V) are generated from the bus coupler supply.

Supply voltage	24 V DC (via Inline connector)
Supply voltage range	19.2 V DC ... 30 V DC (including all tolerances, including ripple)
Current draw	max. 1.35 A (with max. number of connected I/O terminal blocks)
	typ. 90 mA (without connected Inline I/O terminals)

Potentials: Communications power (U_L)

Supply voltage	7.5 V DC $\pm 5\%$
----------------	--------------------

Potentials: Supply of analog modules (U_{ANA})

Supply voltage	24 V DC
Supply voltage range	19.2 V DC ... 30 V DC (including all tolerances, including ripple)

Electrical isolation/isolation of the voltage ranges

Test voltage: 7.5 V communications power, 24 V analog supply, 24 V bus coupler supply/functional ground	500 V AC, 50 Hz, 1 min.
---	-------------------------

Connection data

Connection technology

Connection name	Inline connector
-----------------	------------------

Conductor connection

Connection method	Spring-cage connection
Conductor cross section rigid	0.08 mm ² ... 1.5 mm ²
Conductor cross section flexible	0.08 mm ² ... 1.5 mm ²
Conductor cross section AWG	28 ... 16
Stripping length	8 mm

Inline connector

Connection method	Spring-cage connection
-------------------	------------------------

IBS IL 24 BK-LK-PAC - Bus coupler



2861218

<https://www.phoenixcontact.com/us/products/2861218>

Conductor cross section, rigid	0.08 mm ² ... 1.5 mm ²
Conductor cross section, flexible	0.08 mm ² ... 1.5 mm ²
Conductor cross section AWG	28 ... 16
Stripping length	8 mm

Environmental and real-life conditions

Ambient conditions

Ambient temperature (operation)	-25 °C ... 55 °C
Degree of protection	IP20
Air pressure (operation)	70 kPa ... 106 kPa (up to 3000 m above sea level)
Air pressure (storage/transport)	70 kPa ... 106 kPa (up to 3000 m above sea level)
Ambient temperature (storage/transport)	-25 °C ... 85 °C
Permissible humidity (operation)	10 % ... 95 % (non-condensing)
Permissible humidity (storage/transport)	10 % ... 95 % (non-condensing)

Standards and regulations

Protection class	III (IEC 61140, EN 61140, VDE 0140-1)
------------------	---------------------------------------

Mounting

Mounting type	DIN rail mounting
---------------	-------------------

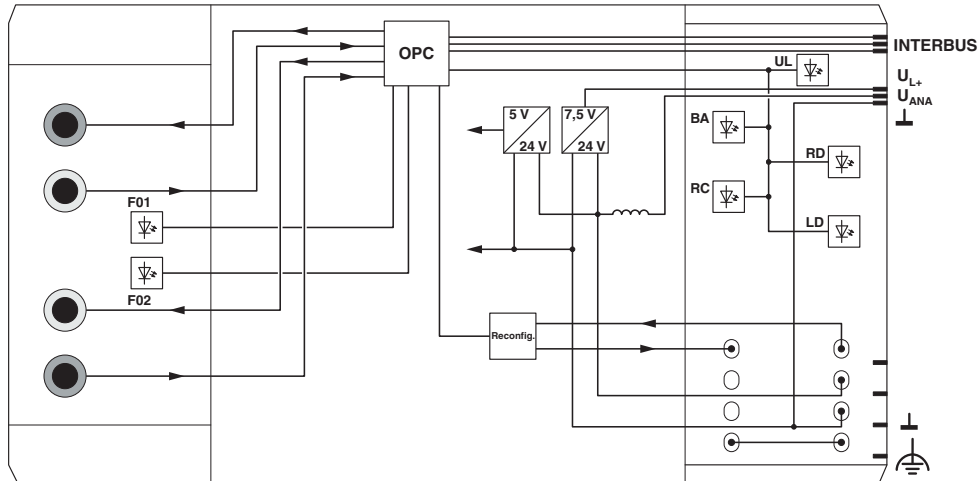
IBS IL 24 BK-LK-PAC - Bus coupler

2861218

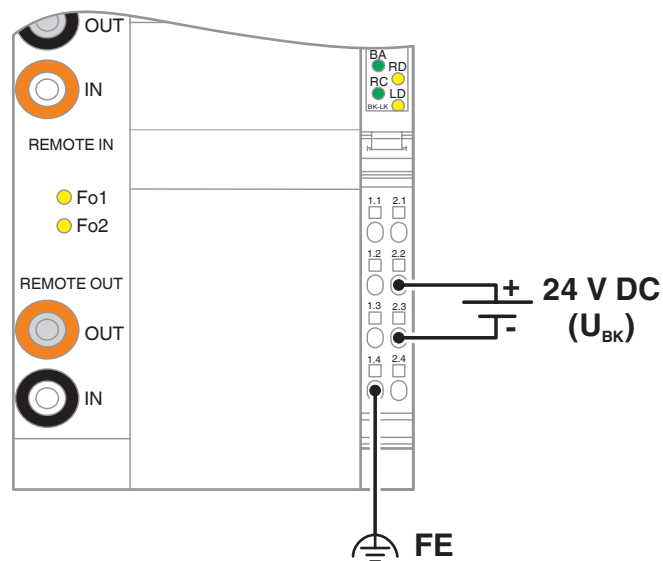
<https://www.phoenixcontact.com/us/products/2861218>

Drawings

Block diagram



Connection diagram



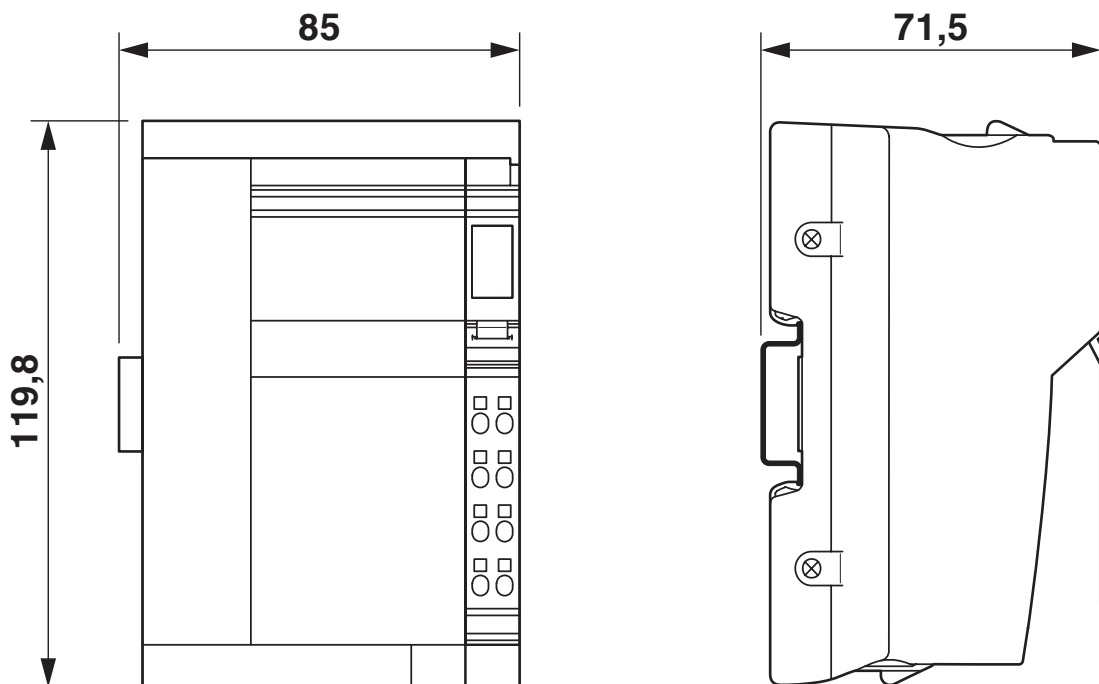
IBS IL 24 BK-LK-PAC - Bus coupler

2861218

<https://www.phoenixcontact.com/us/products/2861218>



Dimensional drawing



IBS IL 24 BK-LK-PAC - Bus coupler



2861218

<https://www.phoenixcontact.com/us/products/2861218>

Approvals

To download certificates, visit the product detail page: <https://www.phoenixcontact.com/us/products/2861218>



cUL Recognized
Approval ID: FILE E 140324



UL Recognized
Approval ID: FILE E 140324



EAC
Approval ID: TR TS_S_03508-21



DNV GL
Approval ID: TAA00000BN

BSH

Approval ID: 658a

UAE-RoHS

Approval ID: 22-04-13087

cULus Recognized

IBS IL 24 BK-LK-PAC - Bus coupler



2861218

<https://www.phoenixcontact.com/us/products/2861218>

Classifications

ECLASS

ECLASS-11.0	27242608
ECLASS-12.0	27242608
ECLASS-13.0	27242608

ETIM

ETIM 9.0	EC001604
----------	----------

UNSPSC

UNSPSC 21.0	32151600
-------------	----------

IBS IL 24 BK-LK-PAC - Bus coupler



2861218

<https://www.phoenixcontact.com/us/products/2861218>

Environmental product compliance

REACH SVHC	Lead 7439-92-1
China RoHS	Environmentally friendly use period: unlimited = EFUP-e
	No hazardous substances above threshold values

Phoenix Contact 2024 © - all rights reserved
<https://www.phoenixcontact.com>

Phoenix Contact USA
586 Fulling Mill Road
Middletown, PA 17057, United States
(+717) 944-1300
info@phoenixcon.com