

ILB IB 24 DO16 - I/O module



2862356

<https://www.phoenixcontact.com/pc/products/2862356>

Please be informed that the data shown in this PDF document is generated from our online catalog. Please find the complete data in the user documentation. Our general terms of use for downloads are valid.

Inline, Block IO, INTERBUS, Inline shield connector, Digital outputs: 16, 24 V DC, connection technology: 3-conductor, degree of protection: IP20, including Inline connector



Your advantages

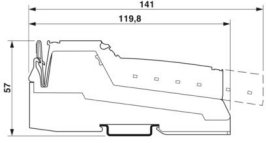
- 16 digital outputs
- Connection of actuators in 2- and 3-conductor technology
- Nominal current per output: 500 mA
- Total current of the terminal: 8 A
- Short-circuit and overload-protected outputs
- Diagnostic and status indicators

Commercial data

Item number	2862356
Packing unit	1 pc
Minimum order quantity	1 pc
Product key	DRI1A1
Catalog page	Page 164 (C-6-2019)
GTIN	4017918943073
Weight per piece (including packing)	374.1 g
Weight per piece (excluding packing)	300 g
Customs tariff number	85389091
Country of origin	DE

Technical data

Dimensions

Dimensional drawing	
Width	95 mm
Height	141 mm
Depth	57 mm
Note on dimensions	Specifications with connectors

Material specifications

Color	green
-------	-------

Interfaces

INTERBUS

Connection method	Inline shield connector
Transmission speed	500 kbps

Output data

Digital

Output name	Digital outputs
Connection method	Spring-cage connection
Connection technology	3-conductor
Number of outputs	16
Protective circuit	Short-circuit and overload protection
Output voltage	24 V DC
Maximum output current per channel	500 mA
Maximum output current per module / terminal block	16 A
Maximum output current per module	16 A
Nominal output voltage	24 V DC
Nominal load, inductive	12 VA
Nominal load, lamp	12 W
Nominal load, ohmic	12 W
Output name	Digital outputs
Connection method	Spring-cage connection
Connection technology	3-conductor
Number of outputs	16
Protective circuit	Short-circuit and overload protection

ILB IB 24 DO16 - I/O module



2862356

<https://www.phoenixcontact.com/pc/products/2862356>

Output voltage	24 V DC
Maximum output current per channel	500 mA
Maximum output current per module / terminal block	16 A
Maximum output current per module	16 A
Nominal output voltage	24 V DC
Nominal load, inductive	12 VA
Nominal load, lamp	12 W
Nominal load, ohmic	12 W

Product properties

Product type	I/O component
Product family	Inline
Type	Block design Inline
Scope of delivery	including Inline connector
No. of channels	16

Electrical properties

Potentials: Communications power (U_L)

Supply voltage	24 V DC
Supply voltage range	19.2 V DC ... 30 V DC (including all tolerances, including ripple)
Current draw	85 mA

Potentials: Power supply to the actuator (U_{A1})

Supply voltage	24 V DC
Supply voltage range	19.2 V DC ... 30 V DC (including all tolerances, including ripple)
Current draw	4 A

Potentials: Power supply to the actuator (U_{A2})

Supply voltage	24 V DC
Supply voltage range	19.2 V DC ... 30 V DC (including all tolerances, including ripple)
Current draw	4 A

Potentials

Current draw	85 mA
--------------	-------

Electrical isolation/isolation of the voltage ranges

Test voltage: I/Os / incoming remote bus	500 V AC, 50 Hz, 1 min.
Test voltage: I/Os / outgoing remote bus	500 V AC, 50 Hz, 1 min.
Test voltage: I/O area / FE	500 V AC, 50 Hz, 1 min.
Test voltage: Incoming remote bus / FE	500 V AC, 50 Hz, 1 min.
Test voltage: Outgoing remote bus / FE	500 V AC, 50 Hz, 1 min.
Test voltage: Incoming remote bus / outgoing remote bus	500 V AC, 50 Hz, 1 min.

Connection data

ILB IB 24 DO16 - I/O module



2862356

<https://www.phoenixcontact.com/pc/products/2862356>

Connection technology

Connection name	Inline connector
-----------------	------------------

Conductor connection

Connection method	Spring-cage connection
Conductor cross section rigid	0.08 mm ² ... 1.5 mm ²
Conductor cross section flexible	0.08 mm ² ... 1.5 mm ²
Conductor cross section AWG	28 ... 16
Stripping length	8 mm

Inline connector

Connection method	Spring-cage connection
Conductor cross section, rigid	0.08 mm ² ... 1.5 mm ²
Conductor cross section, flexible	0.08 mm ² ... 1.5 mm ²
Conductor cross section AWG	28 ... 16
Stripping length	8 mm

Environmental and real-life conditions

Ambient conditions

Ambient temperature (operation)	-25 °C ... 60 °C
Degree of protection	IP20
Air pressure (operation)	80 kPa ... 108 kPa (up to 2000 m above sea level)
Air pressure (storage/transport)	66 kPa ... 108 kPa (up to 3500 m above sea level)
Ambient temperature (storage/transport)	-25 °C ... 85 °C
Permissible humidity (operation)	max. 85 % (non-condensing)
Permissible humidity (storage/transport)	95 % (non-condensing)

Standards and regulations

Protection class	III (IEC 61140, EN 61140, VDE 0140-1)
Noise emission	Class B (residential)

Mounting

Mounting type	DIN rail mounting
---------------	-------------------

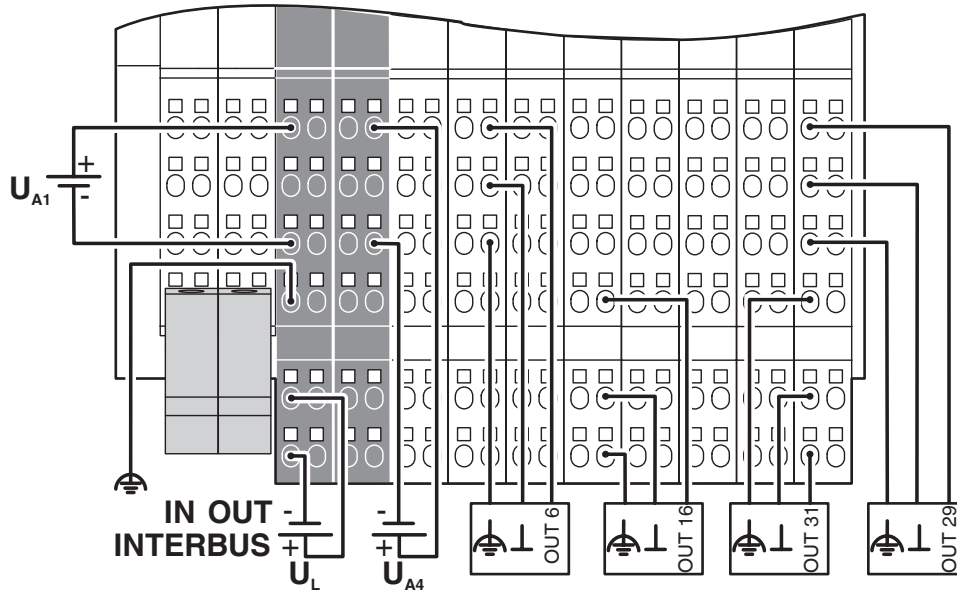
ILB IB 24 DO16 - I/O module

2862356

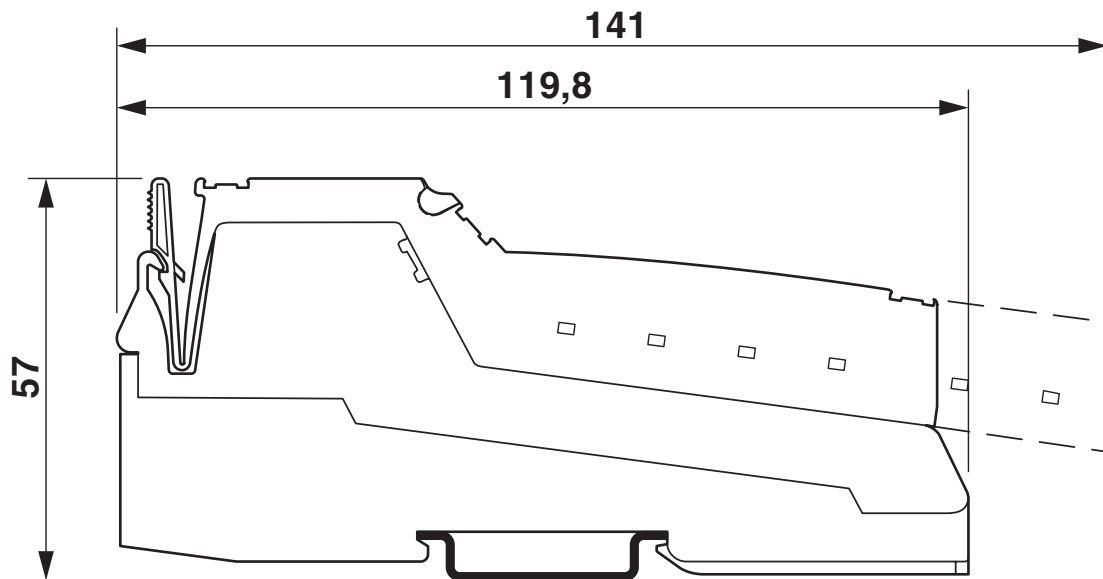
<https://www.phoenixcontact.com/pc/products/2862356>

Drawings

Connection diagram



Dimensional drawing



The figure shows the general dimensional drawing of the Inline Block IO product family

ILB IB 24 DO16 - I/O module

2862356

<https://www.phoenixcontact.com/pc/products/2862356>



Classifications

UNSPSC

UNSPSC 21.0	32151602
-------------	----------

ILB IB 24 DO16 - I/O module

2862356

<https://www.phoenixcontact.com/pc/products/2862356>



Environmental product compliance

China RoHS	Environmentally friendly use period: unlimited = EFUP-e
	No hazardous substances above threshold values

Phoenix Contact 2024 © - all rights reserved
<https://www.phoenixcontact.com>

PHOENIX CONTACT GmbH & Co. KG
Flachmarktstraße 8
D-32825 Blomberg
+49 (0) 5235-3 00
info@phoenixcontact.com