

ILB IB 24 DI16 DO16 - I/O module



2862385

<https://www.phoenixcontact.com/pc/products/2862385>

Please be informed that the data shown in this PDF document is generated from our online catalog. Please find the complete data in the user documentation. Our general terms of use for downloads are valid.

Inline, Block IO, INTERBUS, Inline shield connector, Digital inputs: 16, 24 V DC, connection technology: 3-conductor, Digital outputs: 16, 24 V DC, connection technology: 3-conductor, degree of protection: IP20, including Inline connector



Your advantages

- 16 digital inputs
- 16 digital outputs
- Maximum permissible load current per sensor: 125 mA
- Maximum permissible load current from the terminal: 2 A
- Nominal current per output: 500 mA
- Total current of the terminal: 8 A
- Diagnostic and status indicators

Commercial data

| | |
|--------------------------------------|---------------------|
| Item number | 2862385 |
| Packing unit | 1 pc |
| Minimum order quantity | 1 pc |
| Product key | DRI1A1 |
| Catalog page | Page 164 (C-6-2019) |
| GTIN | 4017918923860 |
| Weight per piece (including packing) | 548.1 g |
| Weight per piece (excluding packing) | 500 g |
| Customs tariff number | 85389091 |
| Country of origin | DE |

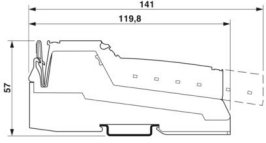
ILB IB 24 DI16 DO16 - I/O module

2862385

<https://www.phoenixcontact.com/pc/products/2862385>

Technical data

Dimensions

| | |
|---------------------|--|
| Dimensional drawing |  |
| Width | 156 mm |
| Height | 141 mm |
| Depth | 57 mm |
| Note on dimensions | Specifications with connectors |

Material specifications

| | |
|-------|-------|
| Color | green |
|-------|-------|

Interfaces

INTERBUS

| | |
|--------------------|-------------------------|
| Connection method | Inline shield connector |
| Transmission speed | 500 kbps |

Input data

Digital

| | |
|-----------------------------------|--|
| Input name | Digital inputs |
| Description of the input | EN 61131-2 type 1 |
| Number of inputs | 16 |
| Connection method | Spring-cage connection |
| Connection technology | 3-conductor |
| Input voltage | 24 V DC |
| Input voltage range "0" signal | -30 V DC ... 5 V DC |
| Input voltage range "1" signal | 15 V DC ... 30 V DC |
| Nominal input voltage U_{IN} | 24 V DC |
| Nominal input current at U_{IN} | 5 mA |
| Total sensor current | max. 2 A |
| Typical response time | approx. 500 μ s |
| Protective circuit | Short-circuit protection, overload protection of the sensor supply |

Output data

Digital

| | |
|-------------|-----------------|
| Output name | Digital outputs |
|-------------|-----------------|

ILB IB 24 DI16 DO16 - I/O module



2862385

<https://www.phoenixcontact.com/pc/products/2862385>

| | |
|--|---------------------------------------|
| Connection method | Spring-cage connection |
| Connection technology | 3-conductor |
| Number of outputs | 16 |
| Protective circuit | Short-circuit and overload protection |
| Output voltage | 24 V DC |
| Maximum output current per channel | 500 mA |
| Maximum output current per module / terminal block | 8 A |
| Maximum output current per module | 8 A |
| Nominal output voltage | 24 V DC |
| Nominal load, inductive | 12 VA |
| Nominal load, lamp | 12 W |
| Nominal load, ohmic | 12 W |
| Output name | Digital outputs |
| Connection method | Spring-cage connection |
| Connection technology | 3-conductor |
| Number of outputs | 16 |
| Protective circuit | Short-circuit and overload protection |
| Output voltage | 24 V DC |
| Maximum output current per channel | 500 mA |
| Maximum output current per module / terminal block | 8 A |
| Maximum output current per module | 8 A |
| Nominal output voltage | 24 V DC |
| Nominal load, inductive | 12 VA |
| Nominal load, lamp | 12 W |
| Nominal load, ohmic | 12 W |

Product properties

| | |
|-------------------|----------------------------|
| Product type | I/O component |
| Product family | Inline |
| Type | Block design |
| Scope of delivery | including Inline connector |
| No. of channels | 32 |

Electrical properties

Potentials: Communications power (U_L)

| | |
|----------------------|--|
| Supply voltage | 24 V DC |
| Supply voltage range | 19.2 V DC ... 30 V DC (including all tolerances, including ripple) |
| Current draw | 80 mA |

Potentials

| | |
|--------------|-----|
| Current draw | 2 A |
|--------------|-----|

Potentials: Power supply to the actuator (U_{A1})

| | |
|----------------------|--|
| Supply voltage | 24 V DC |
| Supply voltage range | 19.2 V DC ... 30 V DC (including all tolerances, including ripple) |

ILB IB 24 DI16 DO16 - I/O module



2862385

<https://www.phoenixcontact.com/pc/products/2862385>

| | |
|--------------|-----|
| Current draw | 4 A |
|--------------|-----|

Potentials: Power supply to the actuator (U_{A2})

| | |
|----------------------|--|
| Supply voltage | 24 V DC |
| Supply voltage range | 19.2 V DC ... 30 V DC (including all tolerances, including ripple) |
| Current draw | 4 A |

Potentials

| | |
|--------------|-------|
| Current draw | 80 mA |
|--------------|-------|

Potentials

| | |
|--------------|-----|
| Current draw | 2 A |
|--------------|-----|

Electrical isolation/isolation of the voltage ranges

| | |
|---|-------------------------|
| Test voltage: I/Os / incoming remote bus | 500 V AC, 50 Hz, 1 min. |
| Test voltage: I/Os / outgoing remote bus | 500 V AC, 50 Hz, 1 min. |
| Test voltage: I/O area / FE | 500 V AC, 50 Hz, 1 min. |
| Test voltage: Incoming remote bus / FE | 500 V AC, 50 Hz, 1 min. |
| Test voltage: Outgoing remote bus / FE | 500 V AC, 50 Hz, 1 min. |
| Test voltage: Incoming remote bus / outgoing remote bus | 500 V AC, 50 Hz, 1 min. |

Connection data

Connection technology

| | |
|-----------------|------------------|
| Connection name | Inline connector |
|-----------------|------------------|

Conductor connection

| | |
|----------------------------------|--|
| Connection method | Spring-cage connection |
| Conductor cross section rigid | 0.08 mm ² ... 1.5 mm ² |
| Conductor cross section flexible | 0.08 mm ² ... 1.5 mm ² |
| Conductor cross section AWG | 28 ... 16 |
| Stripping length | 8 mm |

Inline connector

| | |
|-----------------------------------|--|
| Connection method | Spring-cage connection |
| Conductor cross section, rigid | 0.08 mm ² ... 1.5 mm ² |
| Conductor cross section, flexible | 0.08 mm ² ... 1.5 mm ² |
| Conductor cross section AWG | 28 ... 16 |
| Stripping length | 8 mm |

Environmental and real-life conditions

Ambient conditions

| | |
|---|---|
| Ambient temperature (operation) | -25 °C ... 60 °C |
| Degree of protection | IP20 |
| Air pressure (operation) | 80 kPa ... 108 kPa (up to 2000 m above sea level) |
| Air pressure (storage/transport) | 66 kPa ... 108 kPa (up to 3500 m above sea level) |
| Ambient temperature (storage/transport) | -25 °C ... 85 °C |

ILB IB 24 DI16 DO16 - I/O module



2862385

<https://www.phoenixcontact.com/pc/products/2862385>

| | |
|--|----------------------------|
| Permissible humidity (operation) | max. 85 % (non-condensing) |
| Permissible humidity (storage/transport) | 95 % (non-condensing) |

Standards and regulations

| | |
|------------------|---------------------------------------|
| Protection class | III (IEC 61140, EN 61140, VDE 0140-1) |
| Noise emission | Class B (residential) |

Mounting

| | |
|---------------|-------------------|
| Mounting type | NS 35/7,5 |
| | DIN rail mounting |

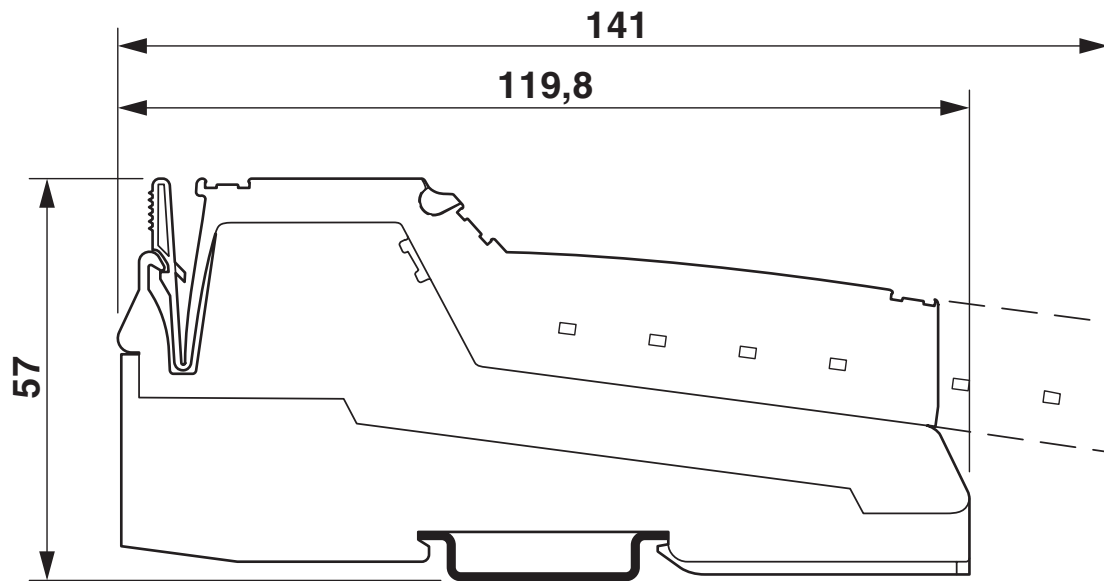
ILB IB 24 DI16 DO16 - I/O module

2862385

<https://www.phoenixcontact.com/pc/products/2862385>

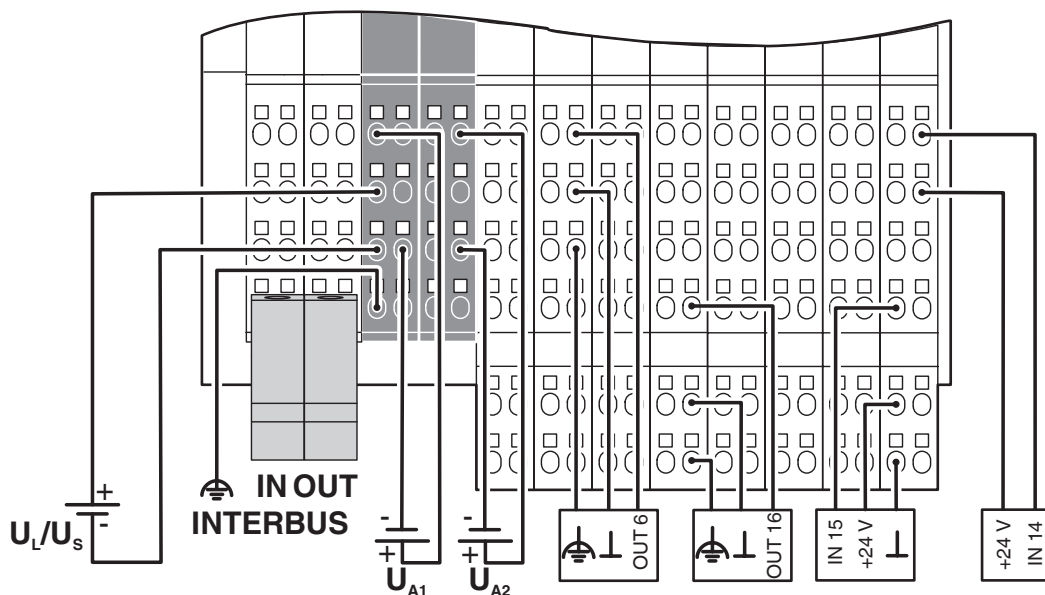
Drawings

Dimensional drawing



The figure shows the general dimensional drawing of the Inline Block IO product family

Connection diagram

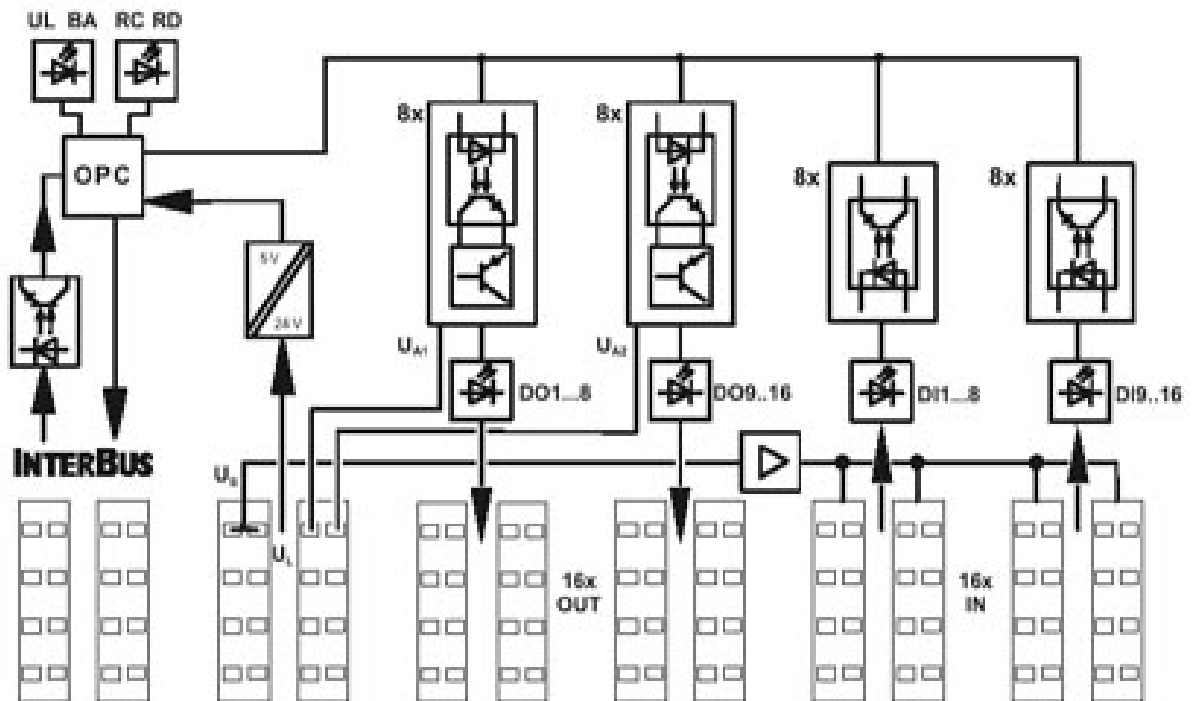


ILB IB 24 DI16 DO16 - I/O module

2862385

<https://www.phoenixcontact.com/pc/products/2862385>

Block diagram



ILB IB 24 DI16 DO16 - I/O module



2862385

<https://www.phoenixcontact.com/pc/products/2862385>

Classifications

ECLASS

ECLASS-11.0

27242604

ETIM

ETIM 8.0

EC001599

UNSPSC

UNSPSC 21.0

32151600

ILB IB 24 DI16 DO16 - I/O module



2862385

<https://www.phoenixcontact.com/pc/products/2862385>

Environmental product compliance

| | |
|------------|---|
| China RoHS | Environmentally friendly use period: unlimited = EFUP-e |
| | No hazardous substances above threshold values |

Phoenix Contact 2024 © - all rights reserved
<https://www.phoenixcontact.com>

PHOENIX CONTACT GmbH & Co. KG
Flachmarktstraße 8
D-32825 Blomberg
+49 (0) 5235-3 00
info@phoenixcontact.com