

ILB PB 24 DI32 - I/O module



2862398

<https://www.phoenixcontact.com/pc/products/2862398>

Please be informed that the data shown in this PDF document is generated from our online catalog. Please find the complete data in the user documentation. Our general terms of use for downloads are valid.

Inline, Block IO, PROFIBUS DP, D-SUB-9 female connector, Digital inputs: 32, 24 V DC, connection technology: 3-conductor, degree of protection: IP20, including Inline connector



Your advantages

- 32 digital inputs
- Connection of sensors in 2- and 3-conductor technology
- Maximum permissible load current per sensor: 125 mA
- Diagnostic and status indicators

Commercial data

Item number	2862398
Packing unit	1 pc
Minimum order quantity	1 pc
Product key	DRI1A2
Catalog page	Page 164 (C-6-2019)
GTIN	4017918929077
Weight per piece (including packing)	510.1 g
Weight per piece (excluding packing)	510 g
Customs tariff number	85389091
Country of origin	DE

Technical data

Dimensions

Dimensional drawing	
Width	156 mm
Height	141 mm
Depth	57 mm
Note on dimensions	Specifications with connectors

Notes

Utilization restriction

CCcex note	Use in potentially explosive areas is not permitted in China.
------------	---

Interfaces

PROFIBUS DP

Connection method	D-SUB-9 female connector
Number of positions	9
Transmission speed	9.6 kbps ... 12 Mbps

Input data

Digital

Input name	Digital inputs
Description of the input	EN 61131-2 type 1
Number of inputs	32
Connection method	Spring-cage connection
Connection technology	3-conductor
Input voltage	24 V DC
Input voltage range "0" signal	-30 V DC ... 5 V DC
Input voltage range "1" signal	15 V DC ... 30 V DC
Nominal input voltage U_{IN}	24 V DC
Nominal input current at U_{IN}	5 mA
Total sensor current	max. 4 A
Typical response time	approx. 500 μ s
Protective circuit	Short-circuit protection, overload protection of the sensor supply

Product properties

ILB PB 24 DI32 - I/O module



2862398

<https://www.phoenixcontact.com/pc/products/2862398>

Product type	I/O component
Product family	Inline
Type	Block design
Scope of delivery	including Inline connector
No. of channels	32

Electrical properties

Potentials: Communications power (U_L)

Supply voltage	24 V DC
Supply voltage range	19.2 V DC ... 30 V DC (including all tolerances, including ripple)
Current draw	50 mA

Potentials: Sensor supply (U_{S1})

Supply voltage	24 V DC
Supply voltage range	19.2 V DC ... 30 V DC (including all tolerances, including ripple)
Current draw	2 A

Potentials: Sensor supply (U_{S2})

Supply voltage	24 V DC
Supply voltage range	19.2 V DC ... 30 V DC (including all tolerances, including ripple)
Current draw	2 A

Potentials

Current draw	50 mA
--------------	-------

Electrical isolation/isolation of the voltage ranges

Test voltage: I/Os / PROFIBUS	500 V AC, 50 Hz, 1 min.
Test voltage: I/O area / FE	500 V AC, 50 Hz, 1 min.
Test voltage: PROFIBUS / FE	500 V AC, 50 Hz, 1 min.

Connection data

Connection technology

Connection name	Inline connector
-----------------	------------------

Conductor connection

Connection method	Spring-cage connection
Conductor cross section rigid	0.08 mm ² ... 1.5 mm ²
Conductor cross section flexible	0.08 mm ² ... 1.5 mm ²
Conductor cross section AWG	28 ... 16
Stripping length	8 mm

Inline connector

Connection method	Spring-cage connection
Conductor cross section, rigid	0.08 mm ² ... 1.5 mm ²
Conductor cross section, flexible	0.08 mm ² ... 1.5 mm ²
Conductor cross section AWG	28 ... 16

ILB PB 24 DI32 - I/O module



2862398

<https://www.phoenixcontact.com/pc/products/2862398>

Stripping length	8 mm
------------------	------

Environmental and real-life conditions

Ambient conditions

Ambient temperature (operation)	-25 °C ... 60 °C
Degree of protection	IP20
Air pressure (operation)	80 kPa ... 108 kPa (up to 2000 m above sea level)
Air pressure (storage/transport)	66 kPa ... 108 kPa (up to 3500 m above sea level)
Ambient temperature (storage/transport)	-25 °C ... 85 °C
Permissible humidity (operation)	85 % (non-condensing)
Permissible humidity (storage/transport)	95 % (non-condensing)

Standards and regulations

Noise emission	Industrial environment
----------------	------------------------

Mounting

Mounting type	NS 35/7,5
	DIN rail mounting

ILB PB 24 DI32 - I/O module

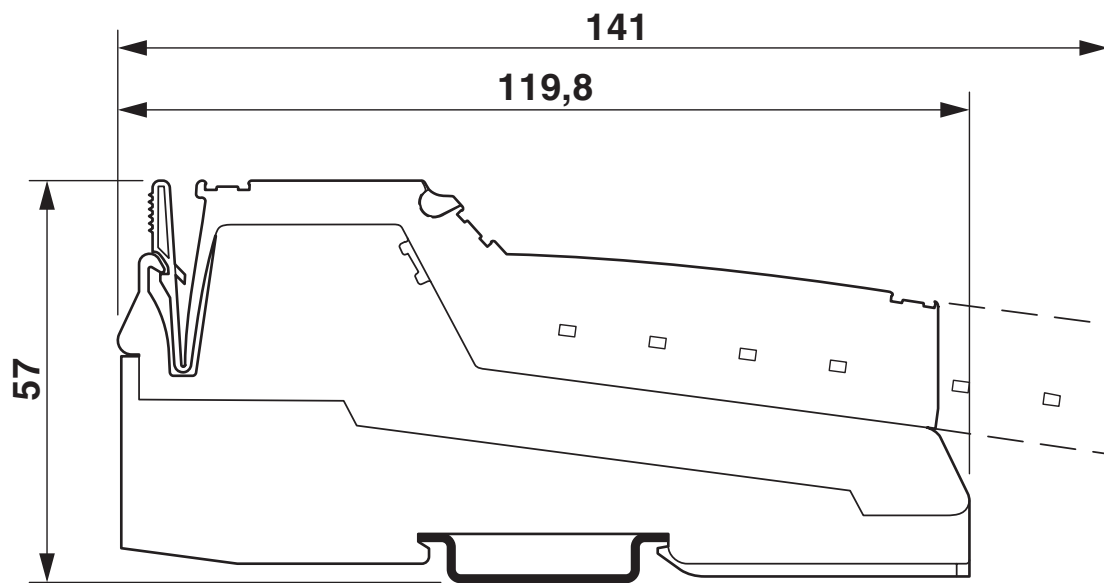
2862398

<https://www.phoenixcontact.com/pc/products/2862398>



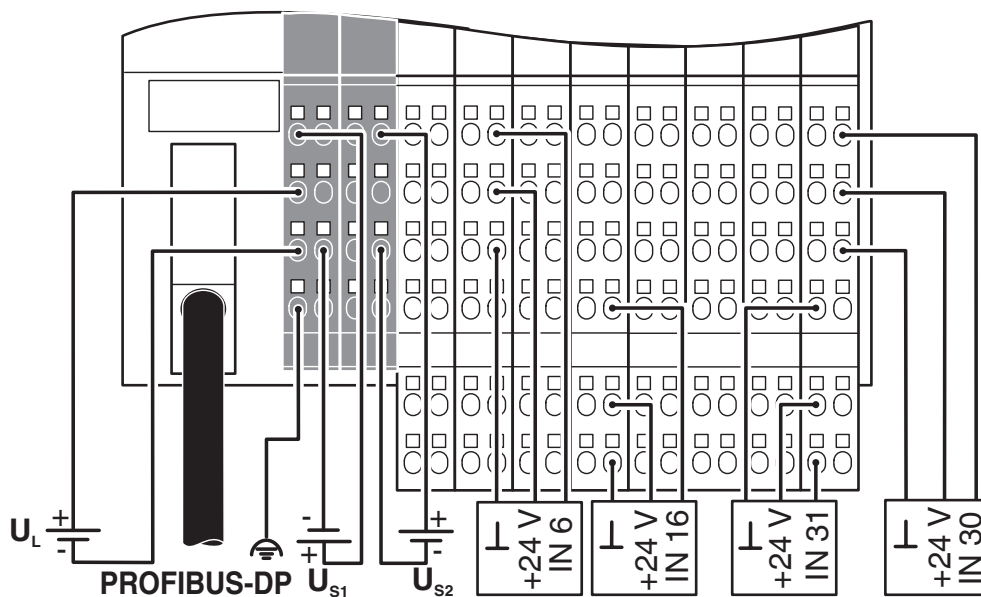
Drawings

Dimensional drawing



The figure shows the general dimensional drawing of the Inline Block IO product family

Connection diagram



ILB PB 24 DI32 - I/O module



2862398

<https://www.phoenixcontact.com/pc/products/2862398>

Approvals

To download certificates, visit the product detail page: <https://www.phoenixcontact.com/pc/products/2862398>



cUL Recognized
Approval ID: FILE E 140324



UL Recognized
Approval ID: FILE E 140324



cUL Listed
Approval ID: FILE E 199827



UL Listed
Approval ID: FILE E 199827

cULus Recognized

cULus Listed

ILB PB 24 DI32 - I/O module

2862398

<https://www.phoenixcontact.com/pc/products/2862398>



Classifications

ECLASS

ECLASS-11.0	27242604
ECLASS-12.0	27242604
ECLASS-13.0	27242604

ETIM

ETIM 8.0	EC001599
----------	----------

UNSPSC

UNSPSC 21.0	32151600
-------------	----------

ILB PB 24 DI32 - I/O module



2862398

<https://www.phoenixcontact.com/pc/products/2862398>

Environmental product compliance

REACH SVHC	Lead 7439-92-1
China RoHS	Environmentally friendly use period: unlimited = EFUP-e
	No hazardous substances above threshold values

Phoenix Contact 2024 © - all rights reserved
<https://www.phoenixcontact.com>

PHOENIX CONTACT GmbH & Co. KG
Flachsmarktstraße 8
D-32825 Blomberg
+49 (0) 5235-3 00
info@phoenixcontact.com