

# MCR-FL-D-U-I-2SP-230 - Digital display



2864228

<https://www.phoenixcontact.com/sk/products/2864228>

Please be informed that the data shown in this PDF document is generated from our online catalog. Please find the complete data in the user documentation. Our general terms of use for downloads are valid.

MCR digital display, for measurement and display of standard signals, auxiliary voltage of 90 V AC ... 260 V AC



## Commercial data

Item number	2864228
Packing unit	1 pc
Minimum order quantity	1 pc
Note	Made to order (non-returnable)
Sales key	CK1
Product key	CK1312
Catalog page	Page 383 (IF-2009)
GTIN	4017918820695
Weight per piece (including packing)	323 g
Weight per piece (excluding packing)	323 g
Customs tariff number	90291000
Country of origin	DE

# MCR-FL-D-U-I-2SP-230 - Digital display



2864228

<https://www.phoenixcontact.com/sk/products/2864228>

## Technical data

### Product properties

Product type	Digital displays
--------------	------------------

### Electrical properties

Test voltage, input/output/supply	500 V <sub>rms</sub> / 2.3 kV <sub>rms</sub> , 50/60 Hz, 1 min.
-----------------------------------	---

#### Supply

Supply voltage range	90 V AC ... 260 V AC
Power consumption	max. 6 VA

### Input data

#### Signal

Voltage input signal	0 V ... 10 V -10 V ... 10 V
Max. voltage input signal	± 30 V
Current input signal	0 mA ... 20 mA 4 mA ... 20 mA
Max. current input signal	50 mA
Switching level "1" signal	4 V DC ... 30 V DC
Switching level "0" signal	0 V DC ... 2 V DC
Input resistance of voltage input	> 1 MΩ
Input resistance current input	< 50 Ω
Resolution inputs (voltage)	1 mV
Resolution inputs (current)	2 μA
System hum suppression	Digital filtering 50/60 Hz
Input latch signal	Display stop
Input reset impulse	> 5 ms to reset the totalizer / the relay outputs
Measuring rate	Approximately 2 measurements/second

### Output data

#### Switching:

Contact switching type	2 changeover contacts
Contact material	AgCdO
Maximum switching voltage	300 V DC 250 V AC
Min. switching current	30 mA DC
Max. switching current	3 A
Interrupting rating (ohmic load) max.	50 W 2000 VA

### Connection data

# MCR-FL-D-U-I-2SP-230 - Digital display



2864228

<https://www.phoenixcontact.com/sk/products/2864228>

Connection method	Pluggable screw connection
Stripping length	8 mm
Screw thread	M2
Conductor cross section rigid	0.14 mm <sup>2</sup> ... 1 mm <sup>2</sup>
Conductor cross section flexible	0.14 mm <sup>2</sup> ... 1.5 mm <sup>2</sup>
Conductor cross section AWG	26 ... 16
Connection method	Pluggable screw connection
Stripping length	8 mm
Screw thread	M3
Conductor cross section rigid	0.2 mm <sup>2</sup> ... 2.5 mm <sup>2</sup>
Conductor cross section flexible	0.2 mm <sup>2</sup> ... 2.5 mm <sup>2</sup>
Conductor cross section AWG	24 ... 14

## Dimensions

Width	96 mm
Height	48 mm
Depth	93.1 mm

## Material specifications

Housing material	Macrolon 2405
------------------	---------------

## Environmental and real-life conditions

### Ambient conditions

Degree of protection	IP65 (Front)
Ambient temperature (operation)	-20 °C ... 65 °C
Ambient temperature (storage/transport)	-40 °C ... 85 °C

## Approvals

### CE

Certificate	CE-compliant
-------------	--------------

### UL, USA/Canada

Identification	UL 508 Recognized
----------------	-------------------

# MCR-FL-D-U-I-2SP-230 - Digital display

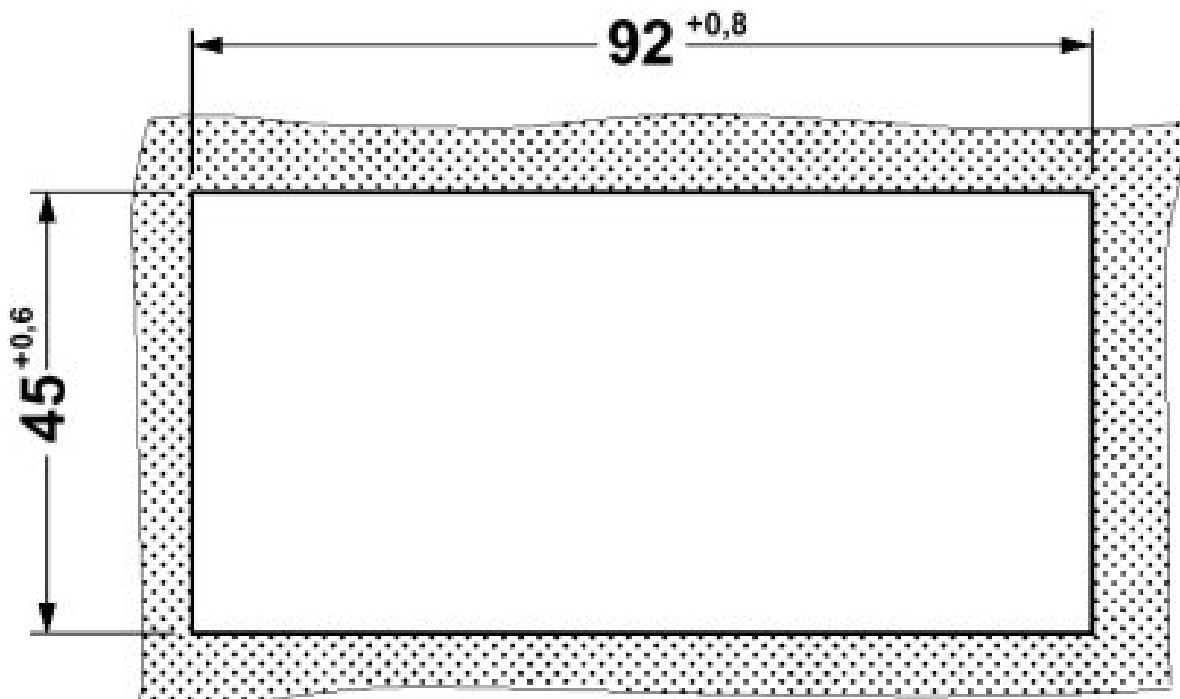


2864228

<https://www.phoenixcontact.com/sk/products/2864228>

## Drawings

### Dimensional drawing

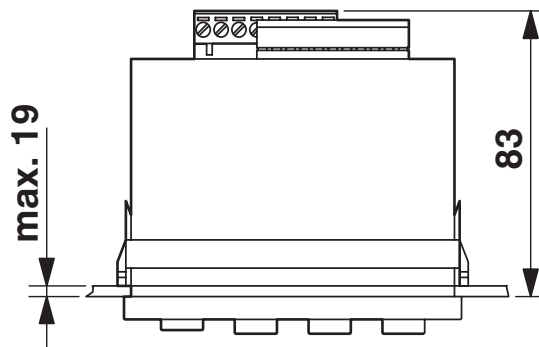
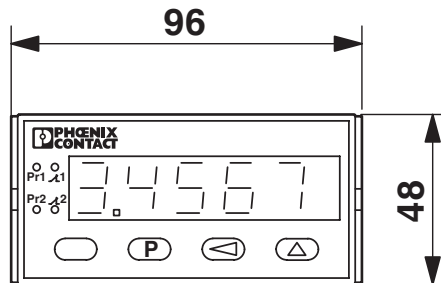


# MCR-FL-D-U-I-2SP-230 - Digital display

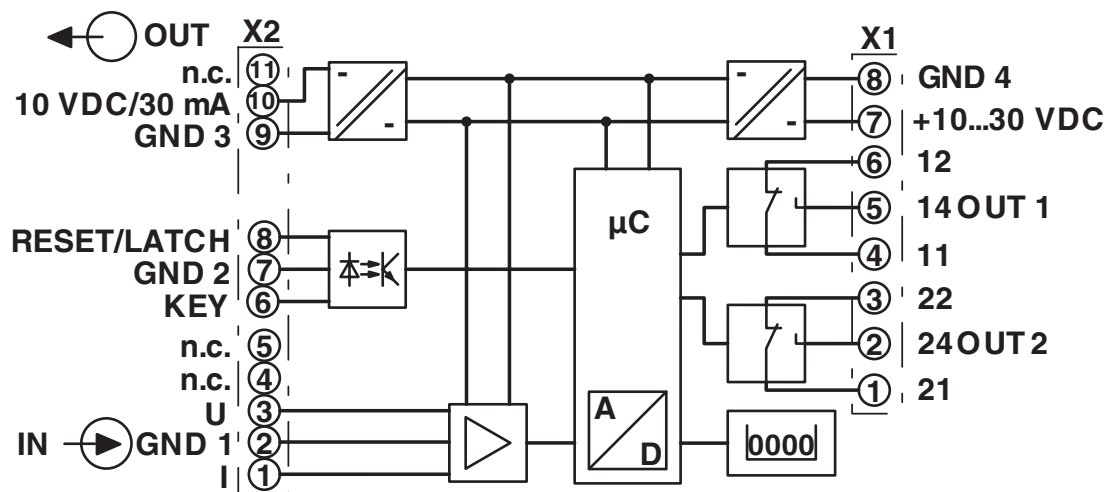
2864228

<https://www.phoenixcontact.com/sk/products/2864228>

Dimensional drawing



Circuit diagram



# MCR-FL-D-U-I-2SP-230 - Digital display



2864228

<https://www.phoenixcontact.com/sk/products/2864228>

## Classifications

### ECLASS

ECLASS-11.0	27210301
-------------	----------

# MCR-FL-D-U-I-2SP-230 - Digital display



2864228

<https://www.phoenixcontact.com/sk/products/2864228>

## Environmental product compliance

China RoHS	Environmentally friendly use period: unlimited = EFUP-e
	No hazardous substances above threshold values

Phoenix Contact 2024 © - all rights reserved  
<https://www.phoenixcontact.com>

PHOENIX CONTACT s.r.o.  
Námestie Mateja Korvína 1  
811 07 Bratislava  
+421 2 3210 1470  
[obchod.sk@phoenixcontact.com](mailto:obchod.sk@phoenixcontact.com)