

RAD-ISM-900-EN-BD - Wireless module



2900016

<https://www.phoenixcontact.com/cn/products/2900016>

Please be informed that the data shown in this PDF document is generated from our online catalog. Please find the complete data in the user documentation. Our general terms of use for downloads are valid.



Wireless transceiver (transmitter and receiver) with Ethernet, RS-232, RS-485 interfaces, for 900 MHz ISM band (America).

This product is exclusively for export outside of the European Economic Area (EEA).

Your advantages

- Frequency hopping spread spectrum
- Provides an interface for data transmission between a 900 MHz wireless transmission system and Ethernet, RS-232, RS-422 or RS-485 interfaces
- Can be programmed for point-to-point, point-to-multipoint, and multipoint-to-point configurations
- Secure data transmission with 128/192/256-bit AES encryption
- Operates in the license-free 902 MHz ... 928 MHz ISM band
- Supports TCP/IP, UDP, and IPv4 protocols
- Includes a transmitter that can be set from 10 mW ... 1 W

Commercial data

Item number	2900016
Packing unit	1 pc
Minimum order quantity	1 pc
Sales key	DNC651
Product key	DNC651
Catalog page	Page 387 (C-6-2019)
GTIN	4046356461580
Weight per piece (including packing)	364.4 g
Weight per piece (excluding packing)	364.4 g
Country of origin	CA

Technical data

Product properties

Product type	Wireless module
--------------	-----------------

Electrical properties

Supply

Supply voltage	24 V DC
Supply voltage range	11 V DC ... 30 V DC
Max. current consumption	250 mA (at 24 V DC)

Connection data

Connection method	Screw connection
Stripping length	8 mm
Conductor cross section flexible	0.2 mm ² ... 2.5 mm ²
Conductor cross section rigid	0.2 mm ² ... 4 mm ²
Cross section AWG	24 ... 14
Screw thread	M3

Interfaces

Serial: RS-232

Data rate	300 ... 57,6 kBit/s
Connection method	D-SUB-9 female connector
File format/coding	Asynchronous
Data flow control/protocols	RTS/CTS

Serial: RS-485/RS-422

Connection method	COMBICON plug-in screw terminal block
-------------------	---------------------------------------

Wireless

Direction	Bi-directional
Frequency	900 MHz
Frequency range	902 MHz ... 928 MHz
Transmission power	1 W (adjustable in 1 dBm increments)
Transmit capacity, minimum	10 dBm
Transmit capacity, maximum	30 dBm

Functions

Operating modes	bidirectional
-----------------	---------------

Wireless

Frequency band	900 MHz
----------------	---------

Dimensions

Width	52 mm
-------	-------

RAD-ISM-900-EN-BD - Wireless module



2900016

<https://www.phoenixcontact.com/cn/products/2900016>

Height	99 mm
Depth	115 mm

Material specifications

Color	green
Housing material	Polyamide PA non-reinforced with aluminum heatsink

Environmental and real-life conditions

Ambient conditions

Degree of protection	IP20
Ambient temperature (operation)	-40 °C ... 65 °C
Ambient temperature (storage/transport)	-40 °C ... 75 °C

Approvals

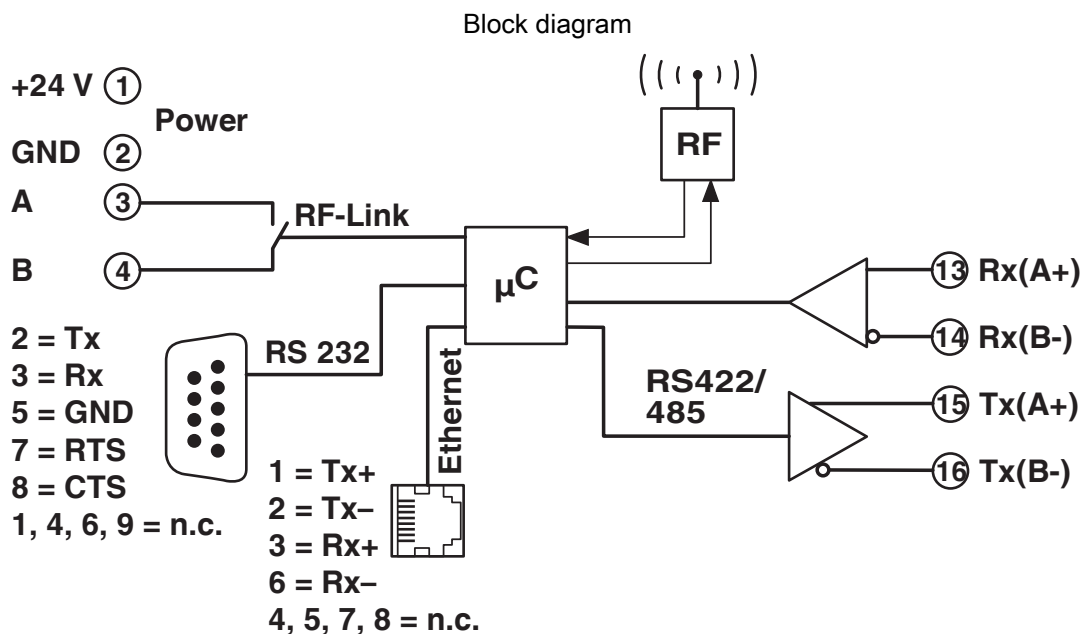
Conformity/Approvals

Conformance	FCC Directive, Part 15.247
	ISC Directive RSS 210
UL, USA / Canada	Class I, Div. 2, Groups A, B, C, D

Mounting

Assembly instructions	on standard DIN rail NS 35 in accordance with EN 60715
Mounting position	any
Connection method	Screw connection

Drawings



RAD-ISM-900-EN-BD - Wireless module



2900016

<https://www.phoenixcontact.com/cn/products/2900016>

Classifications

UNSPSC

UNSPSC 21.0	43222604
-------------	----------

RAD-ISM-900-EN-BD - Wireless module



2900016

<https://www.phoenixcontact.com/cn/products/2900016>

Environmental product compliance

China RoHS	Environmentally Friendly Use Period = 50 years For information on hazardous substances, refer to the manufacturer's declaration available under "Downloads"
------------	--

Phoenix Contact 2024 © - all rights reserved

<https://www.phoenixcontact.com>

菲尼克斯（中国）投资有限公司总部
南京市江宁经济开发区菲尼克斯路36号
（江宁236信箱）邮编：211100
025-52121888
phoenix@phoenixcontact.com.cn