

PLC-OPT- 48DC/ 24DC/2 - Solid-state relay module



2900365

<https://www.phoenixcontact.com/us/products/2900365>

Please be informed that the data shown in this PDF document is generated from our online catalog. Please find the complete data in the user documentation. Our general terms of use for downloads are valid.



PLC-INTERFACE, consisting of PLC-BPT.../21 basic terminal block with push-in connection and plug-in miniature solid-state relay, for mounting on DIN rail NS 35/7,5, 1 N/O contact, input: 48 V DC, output: 3 - 33 V DC/3 A

Your advantages

- Slim design
- Efficient connection to system cabling using V8 adapter
- RT III sealed solid-state relay
- Functional plug-in bridges
- High switching power
- Integrated input circuit
- Zero voltage switch at AC output

Commercial data

| | |
|--------------------------------------|---------------------|
| Item number | 2900365 |
| Packing unit | 10 pc |
| Sales key | C461 |
| Product key | CK6233 |
| Catalog page | Page 373 (C-5-2019) |
| GTIN | 4046356506809 |
| Weight per piece (including packing) | 33.69 g |
| Weight per piece (excluding packing) | 31.27 g |
| Customs tariff number | 85364190 |
| Country of origin | DE |

PLC-OPT- 48DC/ 24DC/2 - Solid-state relay module



2900365

<https://www.phoenixcontact.com/us/products/2900365>

Technical data

Product properties

| | |
|----------------|--------------------------|
| Product type | Solid-state relay module |
| Product family | PLC-INTERFACE |
| Application | Universal |
| Operating mode | 100% operating factor |

Insulation characteristics

| | |
|------------|------------------|
| Insulation | Basic insulation |
|------------|------------------|

Insulation characteristics: Standards/regulations

| | |
|----------------------|------------------|
| Insulation | Basic insulation |
| Overvoltage category | III |
| Pollution degree | 2 |

Electrical properties

| | |
|---|--------------------------------------|
| Maximum power dissipation for nominal condition | 0.43 W |
| Test voltage (Input/output) | 2.5 kV (50 Hz, 1 min., input/output) |

Input data

| | |
|--|--|
| Nominal input voltage U_N | 48 V DC |
| Input voltage range in reference to U_N | 0.8 ... 1.2 |
| Input voltage range | 38.4 V DC ... 57.6 V DC |
| Switching threshold "0" signal in reference to U_N | ≤ 0.4 |
| Switching threshold "1" signal in reference to U_N | ≥ 0.8 |
| Typical input current at U_N | 9 mA |
| Typical response time | 30 μ s (at U_N) |
| Typical turn-off time | 300 μ s (at U_N) |
| Operating voltage display | Yellow LED |
| Protective circuit | Reverse polarity protection; Polarity protection diode Freewheeling diode; Freewheeling diode |
| Transmission frequency | 300 Hz |

Output data

| | |
|--|--|
| Contact switching type | 1 N/O contact |
| Design of digital output | electronic |
| Output voltage range | 3 V DC ... 33 V DC |
| Limiting continuous current | 3 A (see derating curve) |
| Maximum inrush current | 15 A (10 ms) |
| Voltage drop at max. limiting continuous current | ≤ 200 mV |
| Output circuit | 2-conductor, floating |
| Protective circuit | Reverse polarity protection; Polarity protection diode Surge protection |

PLC-OPT- 48DC/ 24DC/2 - Solid-state relay module



2900365

<https://www.phoenixcontact.com/us/products/2900365>

Connection data

| | |
|----------------------------------|---|
| Connection method | Push-in connection |
| Stripping length | 10 mm |
| Conductor cross section rigid | 0.14 mm ² ... 2.5 mm ² |
| Conductor cross section flexible | 0.14 mm ² ... 2.5 mm ² 0.2 mm ² ... 2.5 mm ² (Single ferrule) 2x 0.5 mm ² ... 1 mm ² (TWIN ferrule) |
| Conductor cross section AWG | 26 ... 14 |

Dimensions

| | |
|--------|--------|
| Width | 6.2 mm |
| Height | 80 mm |
| Depth | 94 mm |

Material specifications

| | |
|--|-----------------|
| Color | gray (RAL 7042) |
| Flammability rating according to UL 94 | V0 (Housing) |

Environmental and real-life conditions

Ambient conditions

| | |
|---|------------------|
| Ambient temperature (operation) | -25 °C ... 60 °C |
| Ambient temperature (storage/transport) | -25 °C ... 70 °C |

Approvals

CE

| | |
|-------------|--------------|
| Certificate | CE-compliant |
|-------------|--------------|

UKCA

| | |
|-------------|----------------|
| Certificate | UKCA-compliant |
|-------------|----------------|

Shipbuilding approval

| | |
|-------------|------------|
| Certificate | TAE0000196 |
|-------------|------------|

Corrosive gas test

| | |
|----------------|---|
| Identification | ISA-S71.04. G3 Harsh Group EN 60068-2-60 |
|----------------|---|

DNV GL data

| | |
|-------------|---|
| Temperature | D |
| Humidity | A |
| Vibration | B/C |
| EMC | B |
| Enclosure | Required protection according to the Rules shall be provided upon installation on board |

PLC-OPT- 48DC/ 24DC/2 - Solid-state relay module



2900365

<https://www.phoenixcontact.com/us/products/2900365>

EMC data

| | |
|-------------------------------|--|
| Low Voltage Directive | Conformance with Low Voltage Directive |
| Electromagnetic compatibility | Conformance with EMC directive |

Standards and regulations

Standards/regulations

| | |
|-----------------------|---------------|
| Standards/regulations | IEC 60947-5-1 |
|-----------------------|---------------|

Mounting

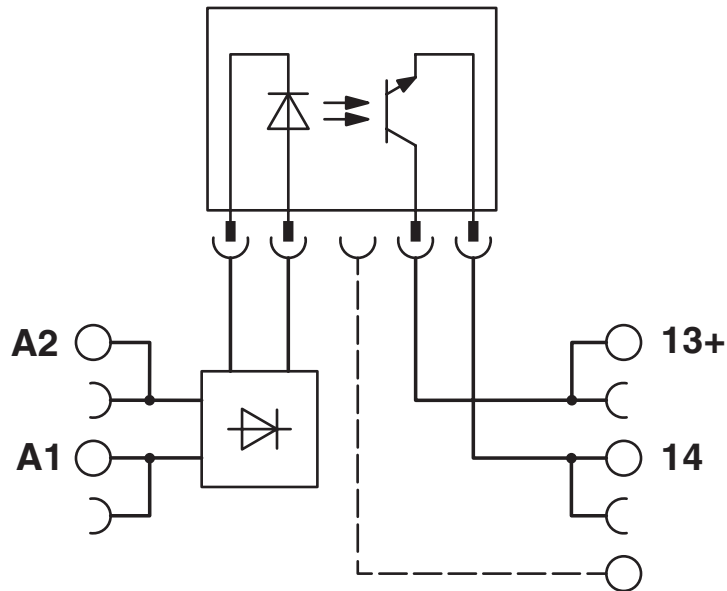
| | |
|-----------------------|---------------------------|
| Mounting type | DIN rail mounting |
| Assembly instructions | in rows with zero spacing |
| Mounting position | any |

2900365

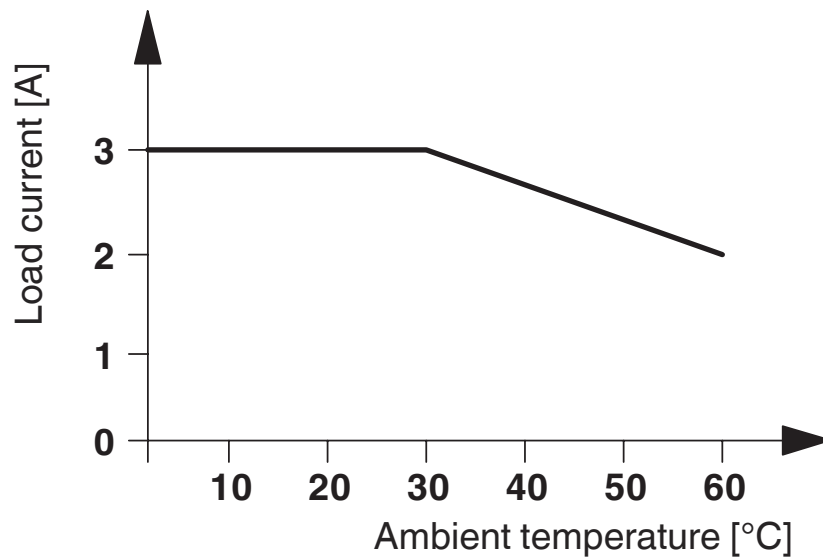
<https://www.phoenixcontact.com/us/products/2900365>

Drawings

Circuit diagram



Diagram



PLC-OPT- 48DC/ 24DC/2 - Solid-state relay module



2900365

<https://www.phoenixcontact.com/us/products/2900365>

Approvals

To download certificates, visit the product detail page: <https://www.phoenixcontact.com/us/products/2900365>



cUL Recognized
Approval ID: FILE E 238705



UL Recognized
Approval ID: FILE E 238705



EAC
Approval ID: TR_TS_D_00573_c



DNV GL
Approval ID: TAE0000196



UL Listed
Approval ID: FILE E 172140



cUL Listed
Approval ID: FILE E 172140



cULus Listed
Approval ID: E140324

cULus Recognized

cULus Listed

PLC-OPT- 48DC/ 24DC/2 - Solid-state relay module



2900365

<https://www.phoenixcontact.com/us/products/2900365>

Classifications

ECLASS

| | |
|-------------|----------|
| ECLASS-11.0 | 27371604 |
| ECLASS-13.0 | 27371604 |
| ECLASS-12.0 | 27371604 |

ETIM

| | |
|----------|----------|
| ETIM 9.0 | EC001504 |
|----------|----------|

UNSPSC

| | |
|-------------|----------|
| UNSPSC 21.0 | 39122300 |
|-------------|----------|

PLC-OPT- 48DC/ 24DC/2 - Solid-state relay module



2900365

<https://www.phoenixcontact.com/us/products/2900365>

Environmental product compliance

| | |
|------------|--|
| REACH SVHC | Lead 7439-92-1 |
| | Hexahydromethylphthalic anhydride |
| China RoHS | Environmentally Friendly Use Period = 50 years |
| | For information on hazardous substances, refer to the manufacturer's declaration available under "Downloads" |

Phoenix Contact 2024 © - all rights reserved
<https://www.phoenixcontact.com>

Phoenix Contact USA
586 Fulling Mill Road
Middletown, PA 17057, United States
(+717) 944-1300
info@phoenixcon.com