

RAD-ISM-900-DATA-BD-PLUS - Wireless module



2902277

<https://www.phoenixcontact.com/sk/products/2902277>

Please be informed that the data shown in this PDF document is generated from our online catalog. Please find the complete data in the user documentation. Our general terms of use for downloads are valid.



Wireless transceiver (transmitter and receiver) with RS-232, RS-485/RS-422 interface, for 900 MHz ISM band (America). Allows up to 8 analog/digital/pulse inputs and 4 outputs onboard.

Product description

Wireless transceiver (transmitter and receiver) with RS-232, RS-485/RS-422 interface, for 900 MHz ISM band (America). Allows up to 8 analog/digital/pulse inputs and 4 outputs onboard.

Commercial data

Item number	2902277
Packing unit	1 pc
Minimum order quantity	1 pc
Note	Made to order (non-returnable)
Sales key	DNC
Product key	DNC651
Catalog page	Page 469 (C-8-2013)
GTIN	4046356675475
Weight per piece (including packing)	343.9 g
Weight per piece (excluding packing)	340 g
Customs tariff number	85176200
Country of origin	US

Technical data

Product properties

Product type	Wireless module
--------------	-----------------

Electrical properties

Supply

Supply voltage	24 V DC
Supply voltage range	12 V DC ... 30 V DC
Max. current consumption	4.1 A
Power consumption	4.1 W (maximum)

Input data

Digital

Switching threshold "0" signal, voltage	≤ 2.4 V DC
Switching threshold "1" signal voltage	≥ 2.6 V DC

Analog

Description of the input	Analog input
Current input signal	0 mA ... 20 mA 4 mA ... 20 mA (with external resistor)
Input resistance current input	10 k Ω

Analog

Description of the input	Digital input
Input resistance current input	10 k Ω

Output data

Digital

Output name	Digital outputs
Number of outputs	4
Maximum switching voltage	40 V DC
Max. switching current	500 mA (sinking)

Connection data

Connection method	Screw connection
Stripping length	8 mm
Conductor cross section flexible	0.2 mm ² ... 2.5 mm ²
Conductor cross section rigid	0.2 mm ² ... 4 mm ²
Cross section AWG	24 ... 14
Screw thread	M3

Interfaces

RAD-ISM-900-DATA-BD-PLUS - Wireless module



2902277

<https://www.phoenixcontact.com/sk/products/2902277>

Serial: RS-232

Data rate	1,2 / 2,4 / 9,6 / 19,2 / 38,4 kBit/s
Connection method	D-SUB-9 female connector
File format/coding	Asynchronous
Data flow control/protocols	RTS/CTS

Serial: RS-485/RS-422

Data rate	1,2 / 2,4 / 9,6 / 19,2 / 38,4 kBit/s
Connection method	COMBICON plug-in screw terminal block

Wireless

Direction	Bi-directional
Frequency	900 MHz
Frequency range	902 MHz ... 928 MHz
Number of channel groups	4
Number of channels per group	63
Transmission power	1 W
Transmit capacity, maximum	30 dBm
Minimum receiver sensitivity	-110 dBm

Functions

Operating modes	bidirectional
-----------------	---------------

Wireless

Frequency band	900 MHz
----------------	---------

Dimensions

Width	64 mm
Height	99 mm
Depth	114.5 mm

Material specifications

Color	green
Housing material	Polyamide PA non-reinforced with aluminum heatsink

Environmental and real-life conditions

Ambient conditions

Degree of protection	IP20
Ambient temperature (operation)	-40 °C ... 70 °C
Ambient temperature (storage/transport)	-40 °C ... 70 °C
Permissible humidity (operation)	0 % ... 90 %

Approvals

Conformity/Approvals

Conformance	FCC Directive, Part 15.247
-------------	----------------------------

RAD-ISM-900-DATA-BD-PLUS - Wireless module



2902277

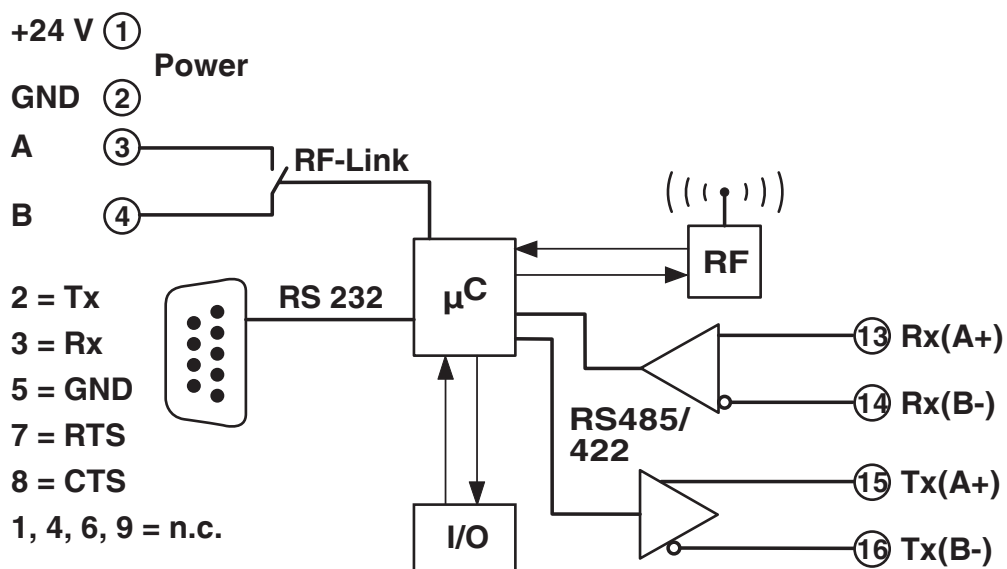
<https://www.phoenixcontact.com/sk/products/2902277>

Mounting

Assembly instructions	on standard DIN rail NS 35 in accordance with EN 60715
Mounting position	any

Drawings

Block diagram



RAD-ISM-900-DATA-BD-PLUS - Wireless module



2902277

<https://www.phoenixcontact.com/sk/products/2902277>

Environmental product compliance

China RoHS	Environmentally Friendly Use Period = 50 years For information on hazardous substances, refer to the manufacturer's declaration available under "Downloads"
------------	----------------------------------------------------------------------------------------------------------------------------------------------------------------

Phoenix Contact 2024 © - all rights reserved
<https://www.phoenixcontact.com>

PHOENIX CONTACT s.r.o.
Námestie Mateja Korvína 1
811 07 Bratislava
+421 2 3210 1470
obchod.sk@phoenixcontact.com