

MINI MCR-SL-UI-I-LP-NC - Signal conditioner



2902829

<https://www.phoenixcontact.com/us/products/2902829>

Please be informed that the data shown in this PDF document is generated from our online catalog. Please find the complete data in the user documentation. Our general terms of use for downloads are valid.



2-way loop-powered isolating amplifier (supplied on the output side), can be configured via DIP switches, with screw connection technology and standard configuration.

Product description

The 6.2 mm wide MINI MCR-SL-UI-I-LP... configurable 2-way isolating amplifier is used to electrically isolate, condition, and filter analog signals. The output loops that supply the loop-powered isolating amplifier enable the isolating amplifier to operate on an active analog input module. The modules are supplied via the current loop of the controller.

On the input side, standard analog signals and non-standard analog signals can be connected, starting from 2 mA or 50 mV up to 40 mA or 30 V. These are converted to a 4...20 mA signal.

The DIP switches accessible on the housing side enable the configuration of input signal ranges.

Commercial data

Item number	2902829
Packing unit	1 pc
Minimum order quantity	1 pc
Sales key	C403
Product key	CK1213
Catalog page	Page 102 (C-7-2015)
GTIN	4046356682350
Weight per piece (including packing)	87.1 g
Weight per piece (excluding packing)	82 g
Customs tariff number	85437090
Country of origin	DE

MINI MCR-SL-UI-I-LP-NC - Signal conditioner



2902829

<https://www.phoenixcontact.com/us/products/2902829>

Technical data

Notes

Utilization restriction

EMC note	EMC: class A product, see manufacturer's declaration in the download area
----------	---

Product properties

Product type	Signal conditioner
Product family	MINI Analog
No. of channels	1
Configuration	DIP switches

Insulation characteristics

Overvoltage category	II
Pollution degree	2

Electrical properties

Alignment span	$\pm 2 \%$
Alignment zero	$\pm 2 \%$
No. of channels	1
Electrical isolation	2-way isolation
Electrical isolation between input and output	yes
Limit frequency (3 dB)	approx. 30 Hz
Maximum power dissipation for nominal condition	19 mW
Step response (10-90%)	approx. 16 ms
Maximum temperature coefficient	0.01 %/K
Temperature coefficient, typical	0.005 %/K
Maximum transmission error	< 0.1 % (of final value) < 0.2 % (Without adjustment)

Electrical isolation Input/output

Rated insulation voltage	50 V AC/DC
Test voltage	1.5 kV AC (50 Hz, 60 s)
Insulation	Basic insulation in accordance with IEC/EN 61010

Supply

Supply voltage range	loop-powered, no external supply necessary
Power consumption	28 mW (without signal)

Input data

Signal: Voltage/current

Number of inputs	1
	0 mV ... 1000 mV

MINI MCR-SL-UI-I-LP-NC - Signal conditioner



2902829

<https://www.phoenixcontact.com/us/products/2902829>

Voltage input signal	0 mV ... 750 mV
	0 mV ... 500 mV
	0 mV ... 300 mV
	0 mV ... 250 mV
	0 mV ... 200 mV
	0 mV ... 150 mV
	0 mV ... 125 mV
	0 mV ... 120 mV
	0 mV ... 100 mV
	0 mV ... 75 mV
	0 mV ... 60 mV
	0 mV ... 50 mV
	0 V ... 10 V
	0 V ... 7.5 V
	0 V ... 5 V
	0 V ... 3 V
	0 V ... 2.5 V
	0 V ... 2 V
	0 V ... 1.5 V
	0 V ... 1.25 V
	0 V ... 1.2 V
	0 V ... 30 V
	0 V ... 25 V
	0 V ... 20 V
	0 V ... 12.5 V
	0 V ... 12 V
	0 V ... 15 V
	-1000 mV ... 1000 mV
	-750 mV ... 750 mV
	-500 mV ... 500 mV
	-300 mV ... 300 mV
	-250 mV ... 250 mV
	-200 mV ... 200 mV
	-125 mV ... 125 mV
	-120 mV ... 120 mV
	-150 mV ... 150 mV
	-100 mV ... 100 mV
	-75 mV ... 75 mV
	-60 mV ... 60 mV
	-50 mV ... 50 mV
	-10 V ... 10 V
	-7.5 V ... 7.5 V
	-5 V ... 5 V
	-3 V ... 3 V

MINI MCR-SL-UI-I-LP-NC - Signal conditioner



2902829

<https://www.phoenixcontact.com/us/products/2902829>

	-2.5 V ... 2.5 V
	-2 V ... 2 V
	-1.25 V ... 1.25 V
	-1.2 V ... 1.2 V
	-1.5 V ... 1.5 V
	-30 V ... 30 V
	-25 V ... 25 V
	-20 V ... 20 V
	-12.5 V ... 12.5 V
	-12 V ... 12 V
	-15 V ... 15 V
	200 mV ... 1000 mV
	150 mV ... 750 mV
	100 mV ... 500 mV
	60 mV ... 300 mV
	50 mV ... 250 mV
	40 mV ... 200 mV
	25 mV ... 125 mV
	24 mV ... 120 mV
	30 mV ... 150 mV
	20 mV ... 100 mV
	15 mV ... 75 mV
	12 mV ... 60 mV
	10 mV ... 50 mV
	2 V ... 10 V (additional areas can be configured, see table)
	1.5 V ... 7.5 V
	1 V ... 5 V
	0.6 V ... 3 V
	0.5 V ... 2.5 V
	0.4 V ... 2 V
	0.25 V ... 1.25 V
	0.24 V ... 1.2 V
	0.3 V ... 1.5 V
	6 V ... 30 V
	5 V ... 25 V
	4 V ... 20 V
	2.5 V ... 12.5 V
	2.4 V ... 12 V
	3 V ... 15 V
Max. voltage input signal	< 40 V
Current input signal	0 mA ... 40 mA
	0 mA ... 30 mA
	0 mA ... 20 mA
	0 mA ... 12 mA

MINI MCR-SL-UI-I-LP-NC - Signal conditioner



2902829

<https://www.phoenixcontact.com/us/products/2902829>

	0 mA ... 10 mA
	0 mA ... 8 mA
	0 mA ... 7.5 mA
	0 mA ... 5 mA
	0 mA ... 6 mA
	0 mA ... 4 mA
	0 mA ... 3 mA
	0 mA ... 2.5 mA
	0 mA ... 2 mA
	-40 mA ... 40 mA
	-30 mA ... 30 mA
	-20 mA ... 20 mA
	-12 mA ... 12 mA
	-10 mA ... 10 mA
	-8 mA ... 8 mA
	-7.5 mA ... 7.5 mA
	-5 mA ... 5 mA
	-6 mA ... 6 mA
	-4 mA ... 4 mA
	-3 mA ... 3 mA
	-2.5 mA ... 2.5 mA
	-2 mA ... 2 mA
	8 mA ... 40 mA
	6 mA ... 30 mA
	4 mA ... 20 mA
	2.4 mA ... 12 mA
	2 mA ... 10 mA
	1.6 mA ... 8 mA
	1.5 mA ... 7.5 mA
	1 mA ... 5 mA
	1.2 mA ... 6 mA
	0.8 mA ... 4 mA
	0.6 mA ... 3 mA
	0.5 mA ... 2.5 mA
	0.4 mA ... 2 mA
Max. current input signal	< 50 mA (Dielectric strength up to 30 V)
Input resistance of voltage input	100 k Ω (\leq 1 V) 1 M Ω (\geq 1 V)
Input resistance current input	\leq 50 Ω

Output data

Signal

Number of outputs	1
-------------------	---

MINI MCR-SL-UI-I-LP-NC - Signal conditioner



2902829

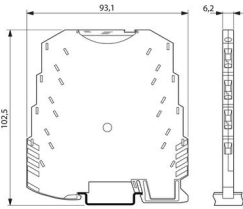
<https://www.phoenixcontact.com/us/products/2902829>

Configurable/programmable	Yes, preconfigured
Current output signal	4 mA ... 20 mA
Max. current output signal	35 mA (output limit)
Load/output load current output	< 1000 Ω ((U_B - 8 V) / 22 mA)
Ripple	< 20 mV _{PP} (at 500 Ω)

Connection data

Connection method	Screw connection
Stripping length	12 mm
Screw thread	M3
Conductor cross section rigid	0.2 mm ² ... 2.5 mm ²
Conductor cross section flexible	0.2 mm ² ... 2.5 mm ²
Conductor cross section AWG	26 ... 12

Dimensions

Dimensional drawing	
Width	6.2 mm
Height	93.1 mm
Depth	101.2 mm

Material specifications

Fire protection for rail vehicles (DIN EN 45545-2) R22	HL 1 - HL 2
Fire protection for rail vehicles (DIN EN 45545-2) R23	HL 1 - HL 2
Fire protection for rail vehicles (DIN EN 45545-2) R24	HL 1 - HL 2
Housing material	PBT

Environmental and real-life conditions

Ambient conditions

Degree of protection	IP20
Ambient temperature (operation)	-25 °C ... 70 °C
Ambient temperature (storage/transport)	-40 °C ... 85 °C
Altitude	≤ 2000 m
Permissible humidity (operation)	5 % ... 95 % (non-condensing)

Approvals

CE

Certificate	CE-compliant
-------------	--------------

MINI MCR-SL-UI-I-LP-NC - Signal conditioner



2902829

<https://www.phoenixcontact.com/us/products/2902829>

UKCA

Certificate	UKCA-compliant
-------------	----------------

UL, USA/Canada

Identification	UL 508 Listed
	Class I, Div. 2, Groups A, B, C, D T5
	Class I, Zone 2, Group IIC

Shipbuilding approval

Certificate	DNV GL TAA00002R0
-------------	-------------------

DNV GL data

Temperature	B
Humidity	B
Vibration	B
EMC	B
Enclosure	Required protection according to the Rules shall be provided upon installation on board

EMC data

Noise immunity	EN 61000-6-2
Note	When being exposed to interference, there may be minimal deviations.
Electromagnetic compatibility	Conformance with EMC directive
Noise emission	EN 61000-6-4

Electrostatic discharge

Standards/regulations	EN 61000-4-2
-----------------------	--------------

Electrostatic discharge

Comments	Safety measures must be taken to prevent electrostatic discharge.
----------	---

Electromagnetic HF field

Designation	Electromagnetic RF field
Standards/regulations	EN 61000-4-3
Typical deviation from the measuring range final value	0.5 %

Electromagnetic HF field

Comments	Criterion A
----------	-------------

Fast transients (burst)

Designation	Fast transients (burst)
Standards/regulations	EN 61000-4-4
Typical deviation from the measuring range final value	2 %

Fast transients (burst)

Comments	Criterion B
----------	-------------

MINI MCR-SL-UI-I-LP-NC - Signal conditioner



2902829

<https://www.phoenixcontact.com/us/products/2902829>

Surge current load (surge)

Standards/regulations	EN 61000-4-5
-----------------------	--------------

Surge current load (surge)

Comments	Criterion B
----------	-------------

Conducted interference

Designation	Conducted interferences
Standards/regulations	EN 61000-4-6
Typical deviation from the measuring range final value	0.5 %

Conducted interference

Comments	Criterion A
----------	-------------

Standards and regulations

Electrical isolation	2-way isolation
----------------------	-----------------

Mounting

Mounting type	DIN rail mounting
Mounting position	any

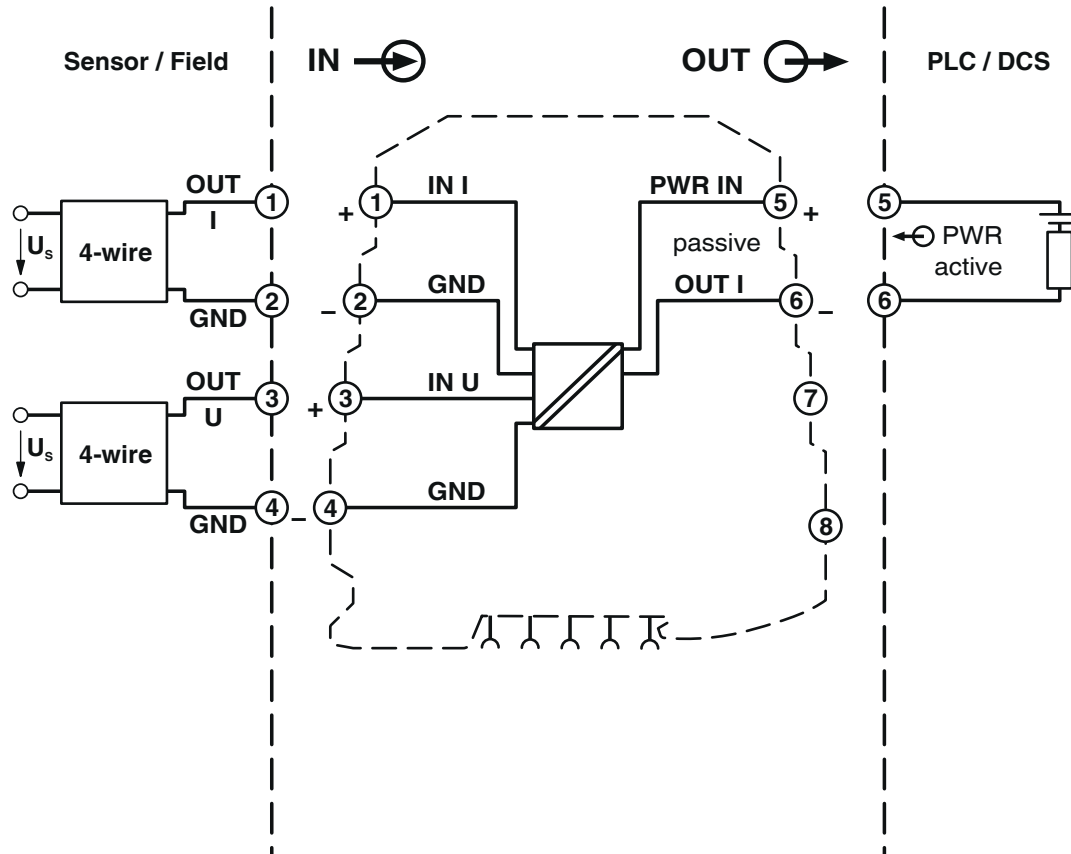
MINI MCR-SL-UI-I-LP-NC - Signal conditioner

2902829

<https://www.phoenixcontact.com/us/products/2902829>

Drawings

Block diagram



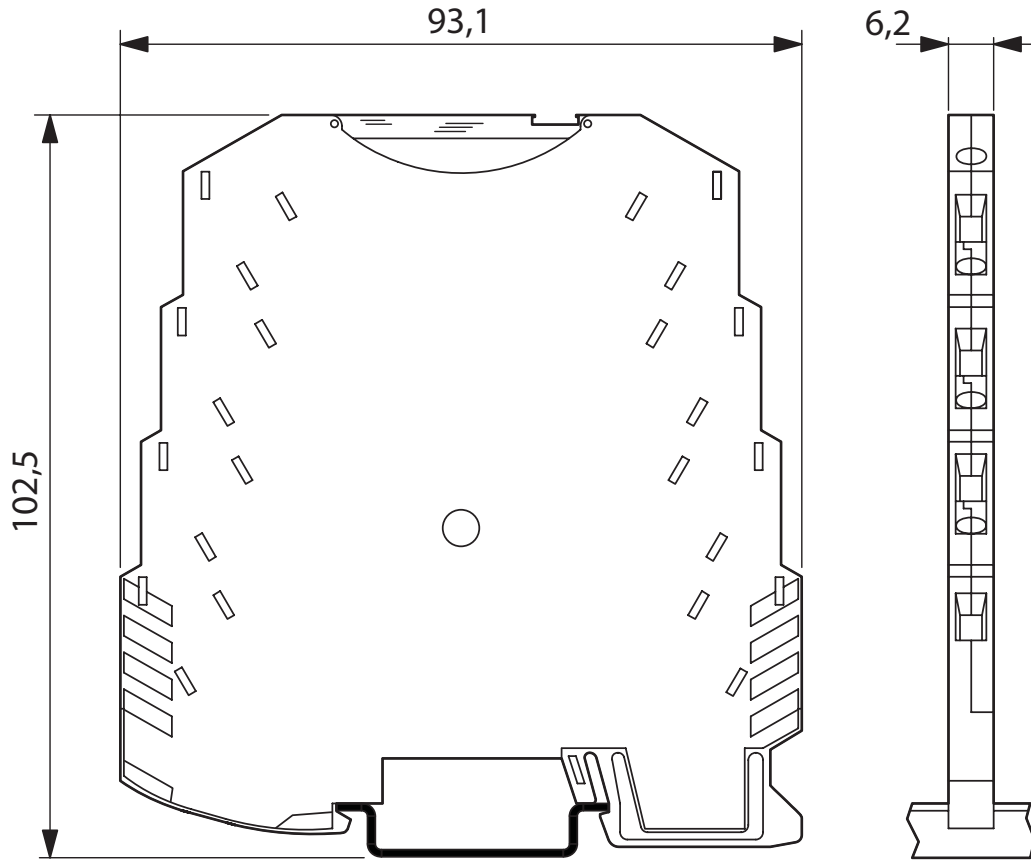
MINI MCR-SL-UI-I-LP-NC - Signal conditioner

2902829

<https://www.phoenixcontact.com/us/products/2902829>



Dimensional drawing



MINI MCR-SL-UI-I-LP-NC - Signal conditioner



2902829

<https://www.phoenixcontact.com/us/products/2902829>

Approvals

To download certificates, visit the product detail page: <https://www.phoenixcontact.com/us/products/2902829>



DNV GL

Approval ID: TAA00002R0



UL Listed

Approval ID: FILE E 238705



cUL Listed

Approval ID: FILE E 238705



cUL Listed

Approval ID: FILE E 199827



UL Listed

Approval ID: FILE E 199827

cULus Listed

cULus Listed

MINI MCR-SL-UI-I-LP-NC - Signal conditioner



2902829

<https://www.phoenixcontact.com/us/products/2902829>

Classifications

ECLASS

ECLASS-11.0	27210120
ECLASS-12.0	27210120
ECLASS-13.0	27210120

ETIM

ETIM 9.0	EC002653
----------	----------

UNSPSC

UNSPSC 21.0	39121000
-------------	----------

MINI MCR-SL-UI-I-LP-NC - Signal conditioner



2902829

<https://www.phoenixcontact.com/us/products/2902829>

Environmental product compliance

REACH SVHC	Lead 7439-92-1
China RoHS	Environmentally Friendly Use Period = 50 years
	For information on hazardous substances, refer to the manufacturer's declaration available under "Downloads"

MINI MCR-SL-UI-I-LP-NC - Signal conditioner



2902829

<https://www.phoenixcontact.com/us/products/2902829>

Accessories

TC-D37SUB-AIO16-M-PS-UNI - Module carrier

2902934

<https://www.phoenixcontact.com/us/products/2902934>



Universal termination carrier for connecting 16 MINI Analog signal conditioners to digital or analog I/O cards, via D-SUB connector, 37-pos. (1:1 connection), with HART multiplexer connection

TC-D37SUB-ADIO16-M-P-UNI - Module carrier

2902933

<https://www.phoenixcontact.com/us/products/2902933>



Universal termination carrier for connecting 16 MINI Analog signal conditioners to digital or analog I/O cards, via D-SUB connector, 37-pos. (1:1 connection)

MINI MCR-SL-UI-I-LP-NC - Signal conditioner

2902829

<https://www.phoenixcontact.com/us/products/2902829>



MINI MCR DKL - Transparent cover

2308111

<https://www.phoenixcontact.com/us/products/2308111>



Fold up transparent cover for MINI MCR modules with additional labeling option using insert strips and flat Zack marker strip 6.2 mm

MINI MCR-DKL-LABEL - Marking label

2810272

<https://www.phoenixcontact.com/us/products/2810272>



Label for extended marking of MINI MCR modules in connection with the MINI MCR-DKL

MINI MCR-SL-UI-I-LP-NC - Signal conditioner



2902829

<https://www.phoenixcontact.com/us/products/2902829>

SZS 0,6X3,5 - Screwdriver

1205053

<https://www.phoenixcontact.com/us/products/1205053>



Actuation tool, for ST terminal blocks, insulated, also suitable for use as a bladed screwdriver, size: 0.6 x 3.5 x 100 mm, 2-component grip, with non-slip grip

Phoenix Contact 2023 © - all rights reserved

<https://www.phoenixcontact.com>

Phoenix Contact USA
586 Fulling Mill Road
Middletown, PA 17057, United States
(+717) 944-1300
info@phoenixcon.com