

ELR H3-I-PT- 24DC/500AC-9 - Hybrid motor starter



2903924

<https://www.phoenixcontact.com/us/products/2903924>

Please be informed that the data shown in this PDF document is generated from our online catalog. Please find the complete data in the user documentation. Our general terms of use for downloads are valid.



Hybrid motor starter for starting 3~ AC motors up to 500 V AC and 9 A output current, with 24 V DC control voltage, adjustable overload shutdown, and push-in connection.

Commercial data

| | |
|--------------------------------------|--------------------|
| Item number | 2903924 |
| Packing unit | 1 pc |
| Minimum order quantity | 1 pc |
| Sales key | C470 |
| Product key | CK7423 |
| Catalog page | Page 35 (C-5-2019) |
| GTIN | 4046356771672 |
| Weight per piece (including packing) | 276 g |
| Weight per piece (excluding packing) | 217.7 g |
| Customs tariff number | 85371098 |
| Country of origin | DE |

ELR H3-I-PT- 24DC/500AC-9 - Hybrid motor starter



2903924

<https://www.phoenixcontact.com/us/products/2903924>

Technical data

Product properties

| | |
|----------------|-----------------------|
| Product type | Hybrid motor starters |
| Product family | CONTACTRON |
| Operating mode | 100% operating factor |

Electrical properties

| | |
|---|-------------------------|
| Number of phases | 3 |
| Motor starter type | Direct starter |
| Maximum power dissipation for nominal condition | 13.5 W |
| Switching frequency | ≤ 2 Hz (Load-dependent) |
| Maximum power dissipation | 14.6 W |
| Minimum power dissipation | 1.1 W |
| Coordination type | 1 |

Supply

| | |
|--|---|
| Rated control circuit supply voltage U_S | 24 V DC |
| Control supply voltage range | 19.2 V DC ... 30 V DC |
| Rated control supply current I_S | 40 mA |
| Protective circuit | Surge protection Reverse polarity protection |

Insulation characteristics

| | |
|--|---|
| Rated insulation voltage | 500 V |
| Rated surge voltage | 6 kV |
| Overvoltage category | III |
| Degree of pollution | 2 |
| Insulation characteristics between the control input and control supply voltage, and auxiliary circuit to the main circuit | Safe isolation (IEC 60947-1) at operating voltage ≤ 300 V AC (e. g., 230/400 V AC, 277/480 V AC) Basic insulation (IEC 60947-1) at operating voltage 300 V AC ... 500 V AC |
| Isolation characteristics between the control input and control supply voltage to auxiliary circuit | Safe isolation (IEC 60947-1) in the auxiliary circuit ≤ 300 V AC |

Emergency tripping

| | |
|-------------------|--------|
| Operate threshold | > 45 A |
| Response time | 2 s |

Input data

Control

| | |
|-------------------------------|-----------------------|
| Input name | Control input |
| Rated actuating voltage U_C | 24 V DC |
| Triggering voltage range | 19.2 V DC ... 30 V DC |
| Rated actuating current I_C | 5 mA (Input type 1) |

ELR H3-I-PT- 24DC/500AC-9 - Hybrid motor starter



2903924

<https://www.phoenixcontact.com/us/products/2903924>

| | |
|-----------------------|-----------------------------|
| Switching threshold | 9.6 V ("0" signal) |
| | 19.2 V ("1" signal) |
| Typical turn-off time | < 30 ms |
| Protective circuit | Reverse polarity protection |

Output data

AC output

| | |
|---|---------------------------------|
| Rated operating voltage U_e | 500 V AC |
| Operating voltage range | 42 V AC ... 550 V AC |
| Rated operating current I_e | 9 A (AC-51) |
| | 6.5 A (AC-53a) |
| Mains frequency | 50/60 Hz |
| Load current range | 1.5 A ... 9 A (see to derating) |
| Trigger characteristic in acc. with IEC 60947-4-2 | Class 10A |
| Cooling time | 20 min. (for auto reset) |
| Leakage current | 0 mA |
| Protective circuit | Surge protection |

Acknowledge output

| | |
|---|--|
| Note | Confirmation: floating change-over contact, signal contact |
| Contact switching type | 1 changeover contact |
| Switching capacity in accordance with IEC 60947-5-1 | 3 A (230 V, AC15) |
| | 2 A (24 V, DC13) |

Connection data

Control circuits

| | |
|----------------------------------|---|
| Connection method | Push-in connection |
| Stripping length | 10 mm |
| Conductor cross section rigid | 0.2 mm ² ... 2.5 mm ² |
| Conductor cross section flexible | 0.2 mm ² ... 2.5 mm ² |
| Conductor cross section AWG | 24 ... 14 |

Load circuit

| | |
|----------------------------------|---|
| Connection method | Push-in connection |
| Stripping length | 10 mm |
| Conductor cross section rigid | 0.2 mm ² ... 2.5 mm ² |
| Conductor cross section flexible | 0.2 mm ² ... 2.5 mm ² |
| Conductor cross section AWG | 24 ... 14 |

Signaling

| | |
|---------------------------|------------|
| Status display | Yellow LED |
| Operating voltage display | Green LED |
| Error indication | Red LED |

ELR H3-I-PT- 24DC/500AC-9 - Hybrid motor starter



2903924

<https://www.phoenixcontact.com/us/products/2903924>

Dimensions

| | |
|--------|----------|
| Width | 22.5 mm |
| Height | 107.5 mm |
| Depth | 114 mm |

Material specifications

| | |
|--|--------------|
| Flammability rating according to UL 94 | V0 (Housing) |
|--|--------------|

Environmental and real-life conditions

Ambient conditions

| | |
|---|-------------------------------------|
| Degree of protection | IP20 |
| Ambient temperature (operation) | -25 °C ... 70 °C (observe derating) |
| Ambient temperature (storage/transport) | -40 °C ... 80 °C |
| Altitude | ≤ 2000 m |

Approvals

UKCA

| | |
|-------------|----------------|
| Certificate | UKCA-compliant |
|-------------|----------------|

UL approval

| | |
|-------------|--------------|
| Certificate | NLDX.E228652 |
|-------------|--------------|

UL data

| | |
|--------------------|--|
| SCCR | 100 kA (500 V AC (fuse: 30 A class CC/30 A class J (high fault))) |
| | 5 kA (500 V AC (fuse: 20 A RK5 (standard fault))) |
| FLA | 6.5 A (500 V AC) |
| Group installation | 20 A (class RK5, SCCR 5kA, #24 - 14 AWG max. solid and stranded) |
| | 30 A (class CC or J, SCCR 100kA, #24 - 14 AWG max, solid and stranded) |
| Category code | NLDX / NRNT |

Standards and regulations

Standards/regulations

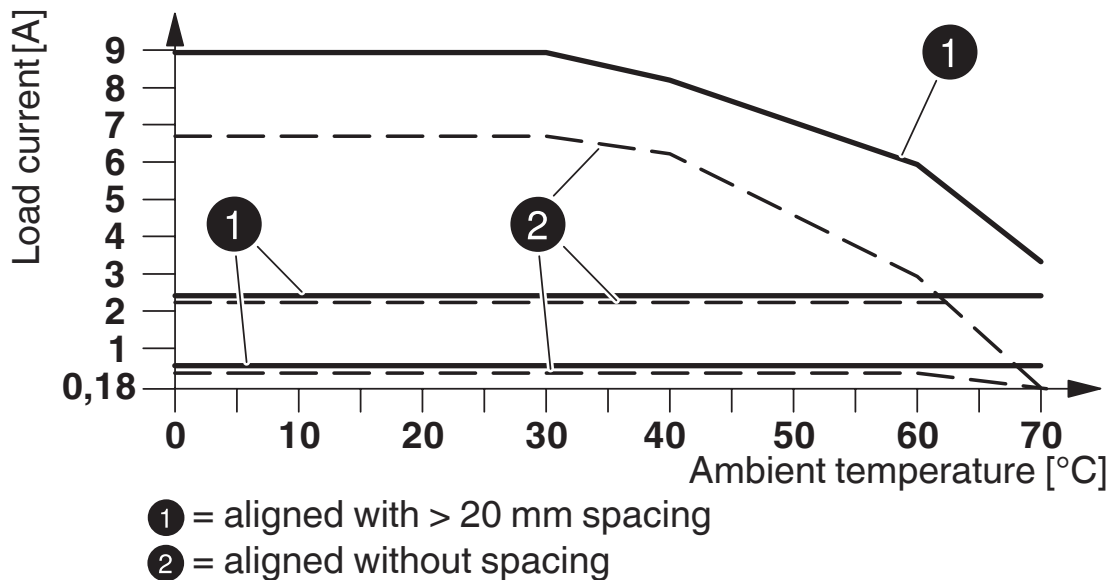
| | |
|-----------------------|---------------|
| Standards/regulations | IEC 60947-1 |
| | IEC 60947-4-2 |

Mounting

| | |
|-----------------------|--|
| Mounting type | DIN rail mounting |
| Assembly instructions | alignable, for spacing see derating |
| Mounting position | vertical (horizontal DIN rail, motor output below) |

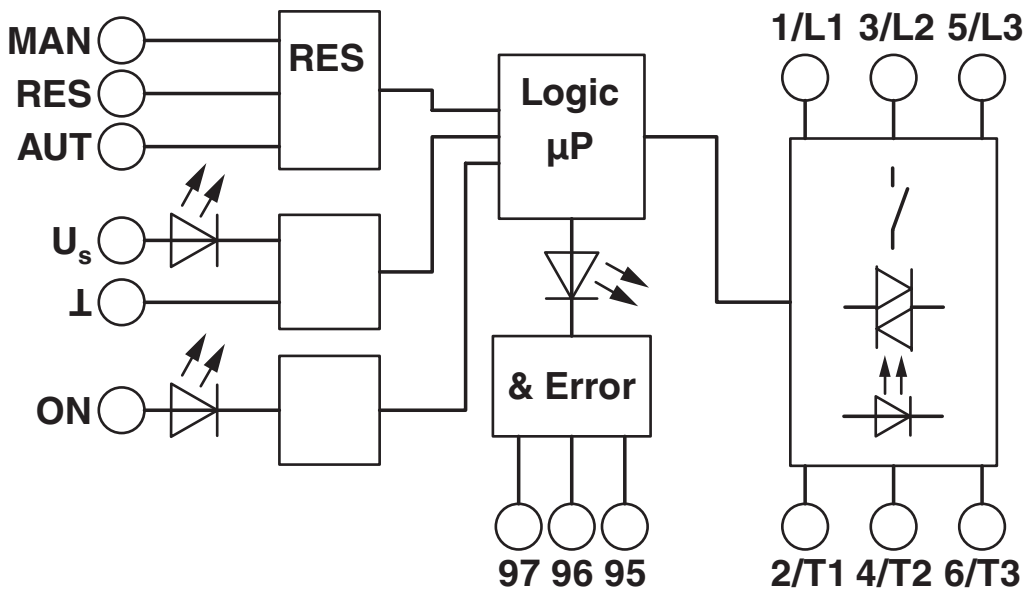
Drawings

Diagram



Derating diagram

Block diagram



ELR H3-I-PT- 24DC/500AC-9 - Hybrid motor starter



2903924

<https://www.phoenixcontact.com/us/products/2903924>

Approvals

To download certificates, visit the product detail page: <https://www.phoenixcontact.com/us/products/2903924>



IECEE CB Scheme

Approval ID: DE1-55728



EAC

Approval ID: RU*C-DE.*08.B.00520*



UL Listed

Approval ID: FILE E 323771



CCC

Approval ID: 2016010304871315



cUL Listed

Approval ID: FILE E 323771



cUL Listed

Approval ID: FILE E 228652



UL Listed

Approval ID: FILE E 228652

ELR H3-I-PT- 24DC/500AC-9 - Hybrid motor starter



2903924

<https://www.phoenixcontact.com/us/products/2903924>

Classifications

ECLASS

| | |
|-------------|----------|
| ECLASS-11.0 | 27370905 |
| ECLASS-12.0 | 27370905 |
| ECLASS-13.0 | 27370905 |

ETIM

| | |
|----------|----------|
| ETIM 9.0 | EC001037 |
|----------|----------|

UNSPSC

| | |
|-------------|----------|
| UNSPSC 21.0 | 25173900 |
|-------------|----------|

ELR H3-I-PT- 24DC/500AC-9 - Hybrid motor starter



2903924

<https://www.phoenixcontact.com/us/products/2903924>

Environmental product compliance

| | |
|------------|--|
| REACH SVHC | Lead 7439-92-1 |
| China RoHS | Environmentally Friendly Use Period = 50 years |
| | For information on hazardous substances, refer to the manufacturer's declaration available under "Downloads" |

ELR H3-I-PT- 24DC/500AC-9 - Hybrid motor starter



2903924

<https://www.phoenixcontact.com/us/products/2903924>

Accessories

BRIDGE-PT 1 - Bridge

1161777

<https://www.phoenixcontact.com/us/products/1161777>

3-phase loop bridge for 1 CONTACTRON module, with Push-in connection and 22.5 mm housing width, connecting cable: 3 m



BRIDGE-PT 2 - Bridge

2904490

<https://www.phoenixcontact.com/us/products/2904490>

3-phase loop bridge for 2 CONTACTRON modules, with Push-in connection and 22.5 mm housing width, connecting cable: 3 m



ELR H3-I-PT- 24DC/500AC-9 - Hybrid motor starter



2903924

<https://www.phoenixcontact.com/us/products/2903924>

BRIDGE-PT 3 - Bridge

2904491

<https://www.phoenixcontact.com/us/products/2904491>

3-phase loop bridge for 3 CONTACTRON modules, with Push-in connection and 22.5 mm housing width, connecting cable: 3 m



BRIDGE-PT 4 - Bridge

2904492

<https://www.phoenixcontact.com/us/products/2904492>

3-phase loop bridge for 4 CONTACTRON modules, with Push-in connection and 22.5 mm housing width, connecting cable: 3 m



ELR H3-I-PT- 24DC/500AC-9 - Hybrid motor starter



2903924

<https://www.phoenixcontact.com/us/products/2903924>

BRIDGE-PT 5 - Bridge

2904493

<https://www.phoenixcontact.com/us/products/2904493>

3-phase loop bridge for 5 CONTACTRON modules, with Push-in connection and 22.5 mm housing width, connecting cable: 3 m



BRIDGE-PT 6 - Bridge

2904494

<https://www.phoenixcontact.com/us/products/2904494>

3-phase loop bridge for 6 CONTACTRON modules, with Push-in connection and 22.5 mm housing width, connecting cable: 3 m



ELR H3-I-PT- 24DC/500AC-9 - Hybrid motor starter



2903924

<https://www.phoenixcontact.com/us/products/2903924>

BRIDGE-PT 7 - Bridge

2904495

<https://www.phoenixcontact.com/us/products/2904495>

3-phase loop bridge for 7 CONTACTRON modules, with Push-in connection and 22.5 mm housing width, connecting cable: 3 m



BRIDGE-PT 8 - Bridge

2904496

<https://www.phoenixcontact.com/us/products/2904496>

3-phase loop bridge for 8 CONTACTRON modules, with Push-in connection and 22.5 mm housing width, connecting cable: 3 m



ELR H3-I-PT- 24DC/500AC-9 - Hybrid motor starter



2903924

<https://www.phoenixcontact.com/us/products/2903924>

BRIDGE-PT 9 - Bridge

2904497

<https://www.phoenixcontact.com/us/products/2904497>

3-phase loop bridge for 9 CONTACTRON modules, with Push-in connection and 22.5 mm housing width, connecting cable: 3 m



BRIDGE-PT 10 - Bridge

2904498

<https://www.phoenixcontact.com/us/products/2904498>

3-phase loop bridge for 10 CONTACTRON modules, with Push-in connection and 22.5 mm housing width, connecting cable: 3 m



ELR H3-I-PT- 24DC/500AC-9 - Hybrid motor starter



2903924

<https://www.phoenixcontact.com/us/products/2903924>

BRIDGE-PT 1-1M - Bridge

1161778

<https://www.phoenixcontact.com/us/products/1161778>

3-phase loop bridge for 1 CONTACTRON module, with Push-in connection and 22.5 mm housing width, connecting cable: 1 m



BRIDGE-PT-2-1M - Bridge

1049407

<https://www.phoenixcontact.com/us/products/1049407>

3-phase loop bridge for 2 CONTACTRON modules, with Push-in connection and 22.5 mm housing width, connecting cable: 1 m



ELR H3-I-PT- 24DC/500AC-9 - Hybrid motor starter



2903924

<https://www.phoenixcontact.com/us/products/2903924>

BRIDGE-PT-3-1M - Bridge

1049408

<https://www.phoenixcontact.com/us/products/1049408>

3-phase loop bridge for 3 CONTACTRON modules, with Push-in connection and 22.5 mm housing width, connecting cable: 1 m



BRIDGE-PT-4-1M - Bridge

1049409

<https://www.phoenixcontact.com/us/products/1049409>

3-phase loop bridge for 4 CONTACTRON modules, with Push-in connection and 22.5 mm housing width, connecting cable: 1 m



ELR H3-I-PT- 24DC/500AC-9 - Hybrid motor starter



2903924

<https://www.phoenixcontact.com/us/products/2903924>

BRIDGE-PT-5-1M - Bridge

1049413

<https://www.phoenixcontact.com/us/products/1049413>

3-phase loop bridge for 5 CONTACTRON modules, with Push-in connection and 22.5 mm housing width, connecting cable: 1 m



BRIDGE-PT-2-2M/0,3M - Bridge

1107649

<https://www.phoenixcontact.com/us/products/1107649>

3-phase loop bridge for 2 CONTACTRON modules, with Push-in connection and 22.5 mm housing width, cable length between the modules: 0.3 m, connecting cable: 2 m



ELR H3-I-PT- 24DC/500AC-9 - Hybrid motor starter



2903924

<https://www.phoenixcontact.com/us/products/2903924>

BRIDGE-PT-3-2M/0,3M - Bridge

1107650

<https://www.phoenixcontact.com/us/products/1107650>



3-phase loop bridge for 3 CONTACTRON modules, with Push-in connection and 22.5 mm housing width, cable length between the modules: 0.3 m, connecting cable: 2 m

BRIDGE-PT-4-2M/0,3M - Bridge

1107644

<https://www.phoenixcontact.com/us/products/1107644>



3-phase loop bridge for 4 CONTACTRON modules, with Push-in connection and 22.5 mm housing width, cable length between the modules: 0.3 m, connecting cable: 2 m

ELR H3-I-PT- 24DC/500AC-9 - Hybrid motor starter



2903924

<https://www.phoenixcontact.com/us/products/2903924>

US-EMLP (15X5) - Plastic label

0828790

<https://www.phoenixcontact.com/us/products/0828790>



Plastic label, Card, white, unlabeled, can be labeled with: BLUEMARK ID COLOR, BLUEMARK ID, THERMOMARK PRIME, THERMOMARK CARD 2.0, THERMOMARK CARD, mounting type: adhesive, lettering field size: 15 x 5 mm, Number of individual labels: 189

UC-EMLP (15X5) - Plastic label

0819301

<https://www.phoenixcontact.com/us/products/0819301>



Plastic label, Sheet, white, unlabeled, can be labeled with: BLUEMARK ID COLOR, BLUEMARK ID, BLUEMARK CLED, PLOTMARK, CMS-P1-PLOTTER, mounting type: adhesive, lettering field size: 15 x 5 mm, Number of individual labels: 10

ELR H3-I-PT- 24DC/500AC-9 - Hybrid motor starter



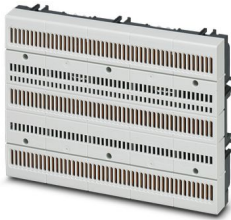
2903924

<https://www.phoenixcontact.com/us/products/2903924>

EM-CPS-225 - Power distribution board

1002634

<https://www.phoenixcontact.com/us/products/1002634>



Modular power distribution board with CrossLink[®] interface, 125 A, 3-pos., touch-proof and protection against polarity reversal, width: 225 mm

EM-CPS-405 - Power distribution board

1002635

<https://www.phoenixcontact.com/us/products/1002635>



Modular power distribution board with CrossLink[®] interface, 125 A, 3-pos., touch-proof and protection against polarity reversal, width: 405 mm

ELR H3-I-PT- 24DC/500AC-9 - Hybrid motor starter



2903924

<https://www.phoenixcontact.com/us/products/2903924>

EM-CPS-TB3/63A - Connection module

1002633

<https://www.phoenixcontact.com/us/products/1002633>



Connection module with integrated spring-loaded terminals for cables from 1.5 to 16 mm², 3-pos., maximum 63 A

EM-CPS-DA-22,5F/16A - Adapter

1002668

<https://www.phoenixcontact.com/us/products/1002668>



Device adapter with fuse holder for 16 A fuse (10x38/Class CC), CrossLink[®] interface and fixed DIN rail

Phoenix Contact 2024 © - all rights reserved
<https://www.phoenixcontact.com>

Phoenix Contact USA
586 Fulling Mill Road
Middletown, PA 17057, United States
(+717) 944-1300
info@phoenixcon.com