

PLC-V8C/PT-24DC/EM - Extension module



2905137

<https://www.phoenixcontact.com/us/products/2905137>

Please be informed that the data shown in this PDF document is generated from our online catalog. Please find the complete data in the user documentation. Our general terms of use for downloads are valid.



PLC logic extension module with 16 I/Os, for plug-in connection to eight PLC-INTERFACE terminal blocks for extending the basic module (a maximum of two extension modules can be connected to a basic module), Push-in connection

Commercial data

Item number	2905137
Packing unit	1 pc
Minimum order quantity	1 pc
Sales key	C424
Product key	CK2621
Catalog page	Page 431 (C-5-2019)
GTIN	4046356919487
Weight per piece (including packing)	129.5 g
Weight per piece (excluding packing)	119.4 g
Customs tariff number	85389099
Country of origin	DE

Technical data

Notes

General	For proper use, the specifications of the installation directive (see Downloads) must be observed. For applications or use with third-party products, the specifications, and the safety and warning instructions of the respective third-party manufacturer must also be met.
Utilization restriction	
EMC note	EMC: class A product, see manufacturer's declaration in the download area

Product properties

Product type	Extension module
Product family	PLC logic
Operating mode	100% operating factor

Insulation characteristics

Insulation	Basic insulation
------------	------------------

Insulation characteristics: Air clearances and creepage distances between the power circuits

Insulation	Basic insulation
Overvoltage category	III
Pollution degree	2

Electrical properties

Air clearances and creepage distances between the power circuits

Rated insulation voltage	50 V
Rated surge voltage	0.8 kV

Supply

Supply voltage	24 V DC
Supply voltage range	19.2 V DC ... 26.4 V DC
Maximum input current at U_N	65 mA
Protective circuit	Reverse polarity protection Surge protection

Input data

Digital inputs

Number of inputs	8 (2 configurable as analog)
Description of the input	EN 61131-2, type 3
Input voltage	24 V DC
Signal level "0" signal	< 5 V
Signal level "1" signal	> 11 V
Input current "0" signal	< 1 mA

PLC-V8C/PT-24DC/EM - Extension module



2905137

<https://www.phoenixcontact.com/us/products/2905137>

Input current "1" signal	typ. 2.5 mA
Status display	Yellow LED

Analog inputs

Number of inputs	2 (IN6 and IN7 are configurable as analog)
Input voltage range	0 V ... 10 V
Input resistance	> 3.5 kΩ

Contact to PLC-INTERFACE

Number of inputs	≤ 8
Description of the input	technical data depends on the PLC-INTERFACE terminal block used
Input voltage	19 V DC
Typical current consumption	4 mA
Input resistance	< 100 mΩ

Output data

Number of outputs	≤ 8
Nominal output voltage	24 V DC
Nominal current	9 mA

Connection data

COMBICON connection

Connection method	Push-in connection
Stripping length	9 mm
Number of connections	1
Number of positions	10
Note	Device supply and 8 x inputs
Conductor cross section rigid	0.14 mm ² ... 1.5 mm ²
Conductor cross section flexible	0.14 mm ² ... 1.5 mm ²
	0.25 mm ² ... 0.5 mm ² (Ferrule with plastic sleeve)
	0.25 mm ² ... 1.5 mm ² (Ferrules without plastic sleeve)
Conductor cross section AWG	26 ... 16

PLC logic - bus

Connection method	Insulation displacement connection
Number of connections	1
Number of positions	4

Signaling

Status display	Green LED
----------------	-----------

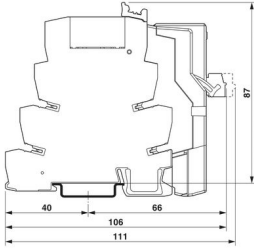
Dimensions

PLC-V8C/PT-24DC/EM - Extension module



2905137

<https://www.phoenixcontact.com/us/products/2905137>

Dimensional drawing	
Width	50 mm
Height	48.5 mm
Depth	111 mm (with relay)
	87 mm (with relay)

Material specifications

Color	gray (RAL 7042)
-------	-----------------

Environmental and real-life conditions

Ambient conditions

Degree of protection	IP20
Ambient temperature (operation)	-20 °C ... 45 °C
Ambient temperature (storage/transport)	-20 °C ... 70 °C
Max. permissible relative humidity (operation)	95 %

Approvals

CE

Certificate	CE-compliant
-------------	--------------

UL, USA/Canada

Identification	Class I, Div. 2, Groups A, B, C, D T4
----------------	---------------------------------------

UL, Canada

Identification	Class I, Zone 2, Ex nA IIC Gc T4 X
----------------	------------------------------------

UL, USA

Identification	Class I, Zone 2, AEx nA IIC T4
----------------	--------------------------------

Standards and regulations

Air clearances and creepage distances between the power circuits

Standards/regulations	DIN EN 50178
-----------------------	--------------

Mounting

Mounting type	Plug-in mounting
Assembly instructions	can be plugged onto 8 x PLC-INTERFACE terminal blocks

PLC-V8C/PT-24DC/EM - Extension module



2905137

<https://www.phoenixcontact.com/us/products/2905137>

Mounting position	any
-------------------	-----

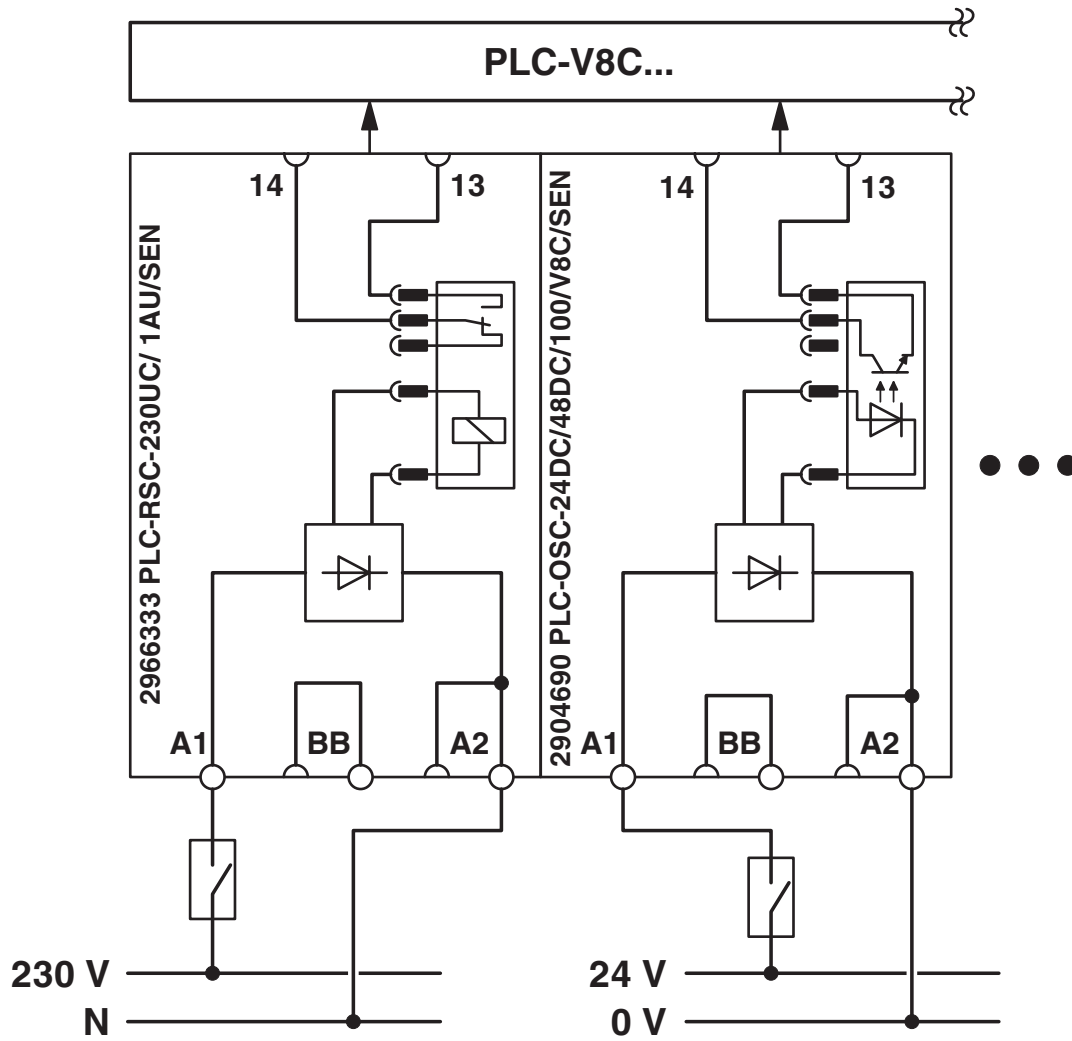
PLC-V8C/PT-24DC/EM - Extension module

2905137

<https://www.phoenixcontact.com/us/products/2905137>

Drawings

Circuit diagram

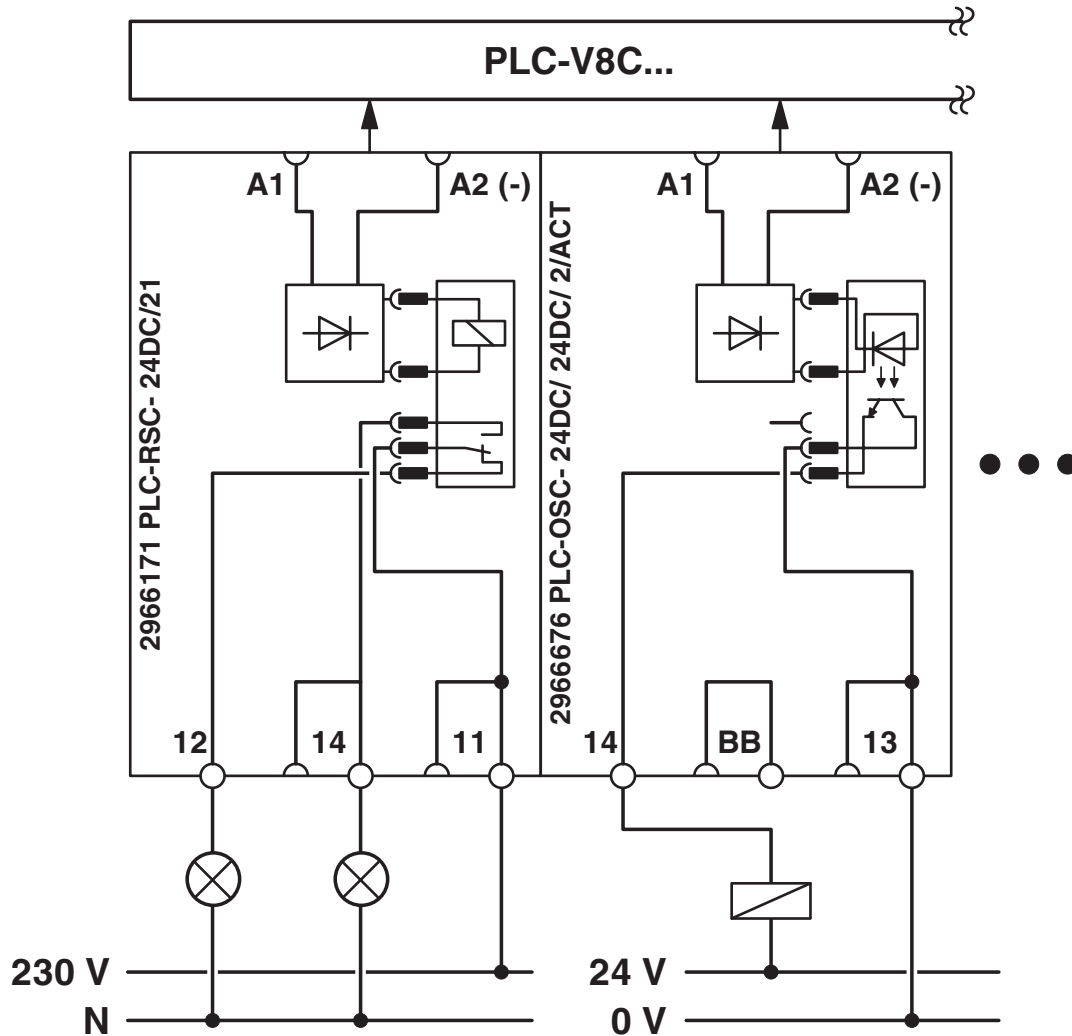


PLC-V8C/PT-24DC/EM - Extension module

2905137

<https://www.phoenixcontact.com/us/products/2905137>

Circuit diagram



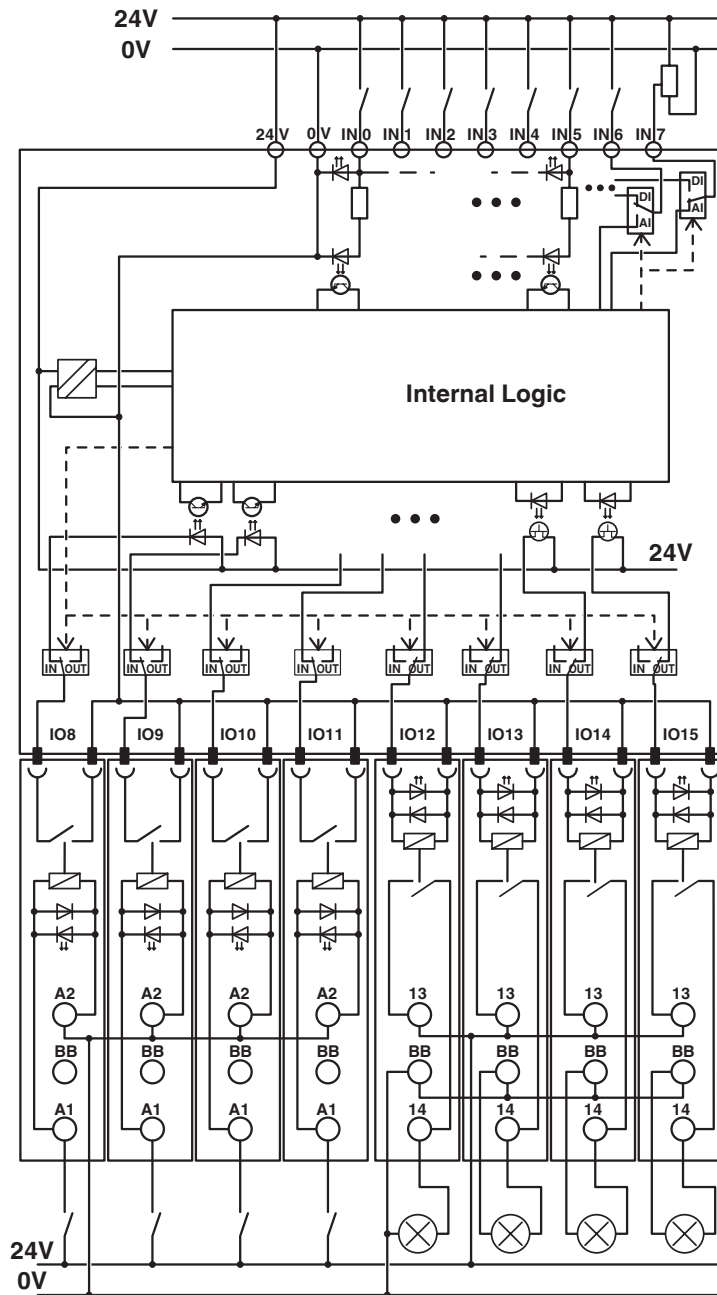
PLC-V8C/PT-24DC/EM - Extension module

2905137

<https://www.phoenixcontact.com/us/products/2905137>



Circuit diagram



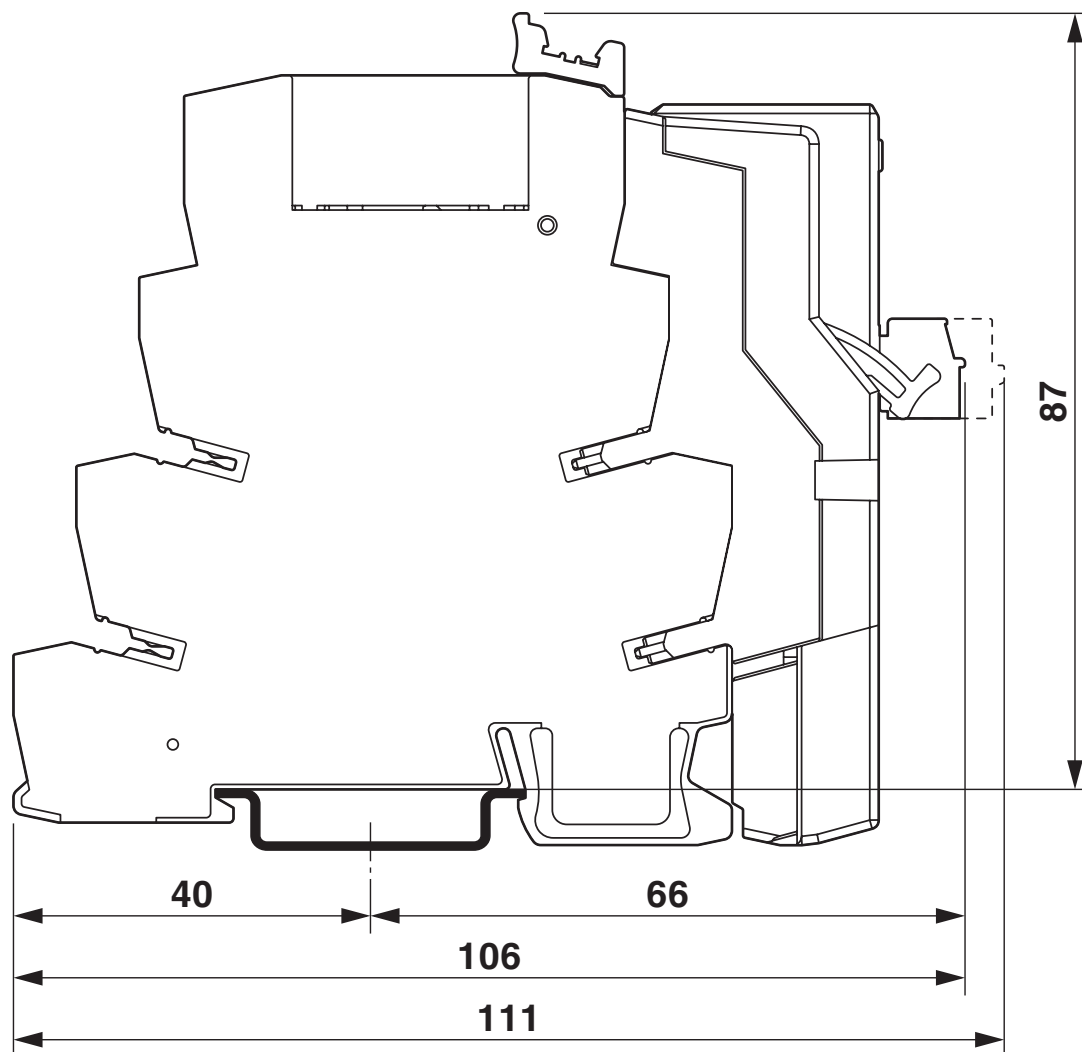
PLC-V8C/PT-24DC/EM - Extension module



2905137

<https://www.phoenixcontact.com/us/products/2905137>

Dimensional drawing



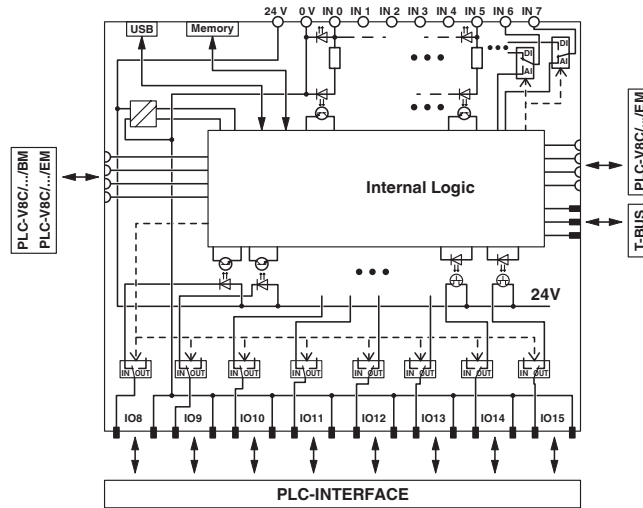
PLC-V8C/PT-24DC/EM - Extension module



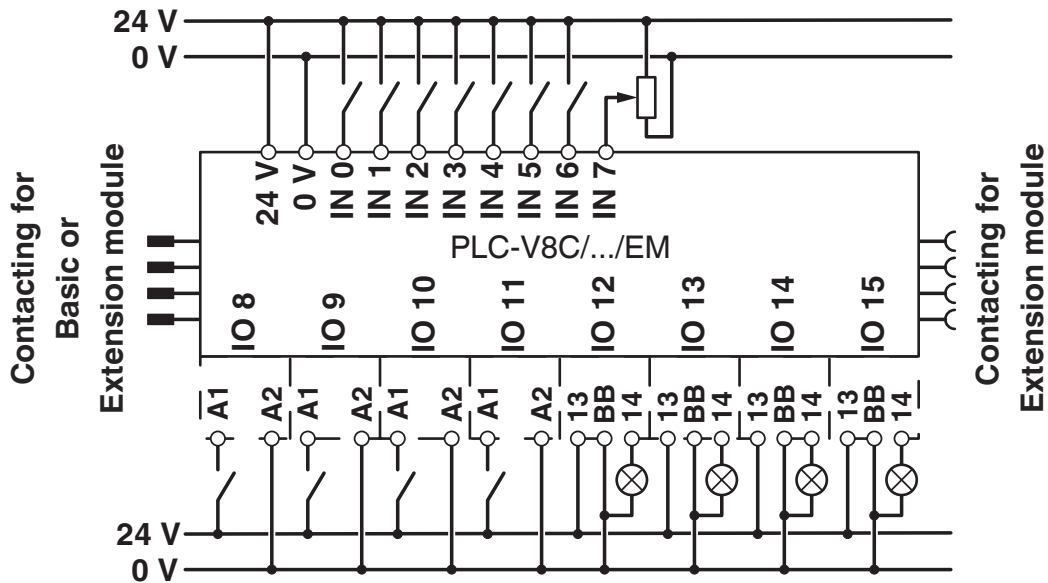
2905137

<https://www.phoenixcontact.com/us/products/2905137>

Circuit diagram



Connection diagram



PLC-V8C/PT-24DC/EM - Extension module



2905137

<https://www.phoenixcontact.com/us/products/2905137>

Approvals

To download certificates, visit the product detail page: <https://www.phoenixcontact.com/us/products/2905137>



EAC

Approval ID: RU*DE.*08.B.01517/19



UL Listed

Approval ID: FILE E 172140



cUL Listed

Approval ID: FILE E 172140



cUL Listed

Approval ID: FILE E 199827



UL Listed

Approval ID: FILE E 199827

cULus Listed

cULus Listed

PLC-V8C/PT-24DC/EM - Extension module



2905137

<https://www.phoenixcontact.com/us/products/2905137>

Classifications

ECLASS

ECLASS-11.0	27242216
ECLASS-13.0	27242216
ECLASS-12.0	27242216

ETIM

ETIM 9.0	EC001417
----------	----------

UNSPSC

UNSPSC 21.0	39122300
-------------	----------

PLC-V8C/PT-24DC/EM - Extension module



2905137

<https://www.phoenixcontact.com/us/products/2905137>

Environmental product compliance

REACH SVHC	Lead 7439-92-1
China RoHS	Environmentally Friendly Use Period = 50 years
	For information on hazardous substances, refer to the manufacturer's declaration available under "Downloads"

Phoenix Contact 2024 © - all rights reserved

<https://www.phoenixcontact.com>

Phoenix Contact USA
586 Fulling Mill Road
Middletown, PA 17057, United States
(+717) 944-1300
info@phoenixcon.com