

TTC-6-TVSD-C-12DC-UT-I - Surge protection device



2906829

<https://www.phoenixcontact.com/no/products/2906829>

Please be informed that the data shown in this PDF document is generated from our online catalog. Please find the complete data in the user documentation. Our general terms of use for downloads are valid.



Fine surge protection with integrated status indicator for a signal wire with grounded reference potential.

Your advantages

- Space-saving and cost-saving with a narrow overall width of just 6 mm
- Continuous monitoring of protective devices, plus mechanical status indicator with optional remote signaling
- Finding the right product for all possible requirements in MCR applications is easy, thanks to the complete range of products with customized features

Commercial data

Item number	2906829
Packing unit	1 pc
Minimum order quantity	1 pc
Sales key	31BCL
Product key	CL2264
Catalog page	Page 148 (C-4-2019)
GTIN	4055626126234
Weight per piece (including packing)	28 g
Weight per piece (excluding packing)	28.2 g
Customs tariff number	85363010
Country of origin	DE

TTC-6-TVSD-C-12DC-UT-I - Surge protection device



2906829

<https://www.phoenixcontact.com/no/products/2906829>

Technical data

Product properties

IEC test classification	C1
	C3
Type	DIN rail module, one-piece
Product type	Surge protection for MCR technology
Product family	TERMITRAB complete
Surge protection fault message	optical

Insulation characteristics

Overvoltage category	III
Pollution degree	2

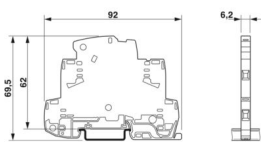
Electrical properties

Nominal voltage U_N	12 V DC
-----------------------	---------

Connection data

Connection method	Screw connection
Screw thread	M3
Tightening torque	0.5 Nm ... 0.6 Nm
Conductor cross section flexible	0.2 mm ² ... 2.5 mm ²
Conductor cross section rigid	0.2 mm ² ... 4 mm ²
Conductor cross section AWG	24 ... 12

Dimensions

Dimensional drawing	
Width	6.2 mm
Height	92 mm
Depth	69.5 mm (incl. DIN rail 7.5 mm)

Material specifications

Color	gray (RAL 7042)
Flammability rating according to UL 94	V-0
Insulating material	PBT
Housing material	PBT

Mechanical properties

Mechanical data

Open side panel	Yes
-----------------	-----

TTC-6-TVSD-C-12DC-UT-I - Surge protection device



2906829

<https://www.phoenixcontact.com/no/products/2906829>

Protective circuit

Direction of action	Line-Earth Ground
Maximum continuous voltage U_C	15 V DC
	10 V AC
Rated current	10 A (60 °C)
Operating effective current I_C at U_C	$\leq 5 \mu\text{A}$
Residual current I_{PE}	$\leq 5 \mu\text{A}$
Nominal discharge current I_n (8/20) μs (line-ground)	300 A
Voltage protection level U_p (line-earth)	$\leq 25 \text{ V}$ (C1 - 0,6 kV / 300 A)
	$\leq 22 \text{ V}$ (C3 - 25 A)
	$\leq 25 \text{ V}$ (C3 - 60 A)
Response time t_A (line-earth)	$\leq 1 \text{ ns}$
Input attenuation aE, asym.	typ. 0.3 dB ($\leq 340 \text{ kHz} / 150 \Omega$)
Cut-off frequency f_g (3 dB), asym. (PE) in 150 Ω system	typ. 1.1 MHz
Capacity (Core-Earth)	2 nF
Resistance per path	$\leq 100 \text{ m}\Omega$
Surge protection fault message	optical
Impulse durability (line-earth)	C1 - 0.6 kV/300 A
	C3 - 60 A

Environmental and real-life conditions

Ambient conditions

Degree of protection	IP20 (with end cover)
Ambient temperature (operation)	-40 °C ... 85 °C
Ambient temperature (storage/transport)	-40 °C ... 85 °C
Altitude	$\leq 4000 \text{ m}$ (amsl)
Permissible humidity (operation)	5 % ... 95 %

Standards and regulations

Standards/specifications	IEC 61643-21
Note	2000 + corrigendum 2001 + A1:2008, modified + A2:2012

EN 61643-21

Standards/specifications	EN 61643-21
Note	2001 + A1:2009 + A2:2013

Mounting

Mounting type	DIN rail: 35 mm
---------------	-----------------

TTC-6-TVSD-C-12DC-UT-I - Surge protection device

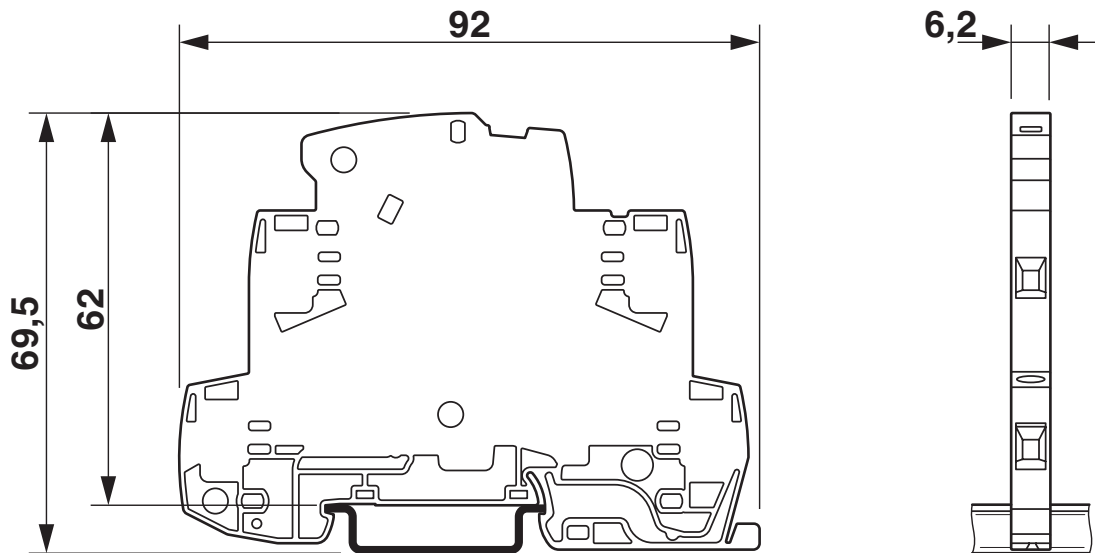


2906829

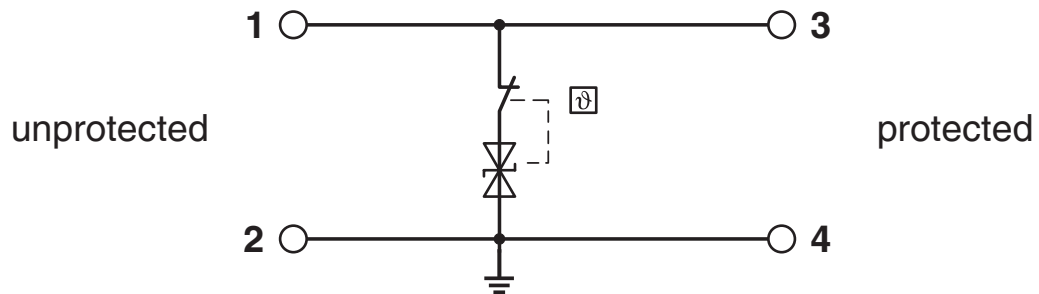
<https://www.phoenixcontact.com/no/products/2906829>

Drawings

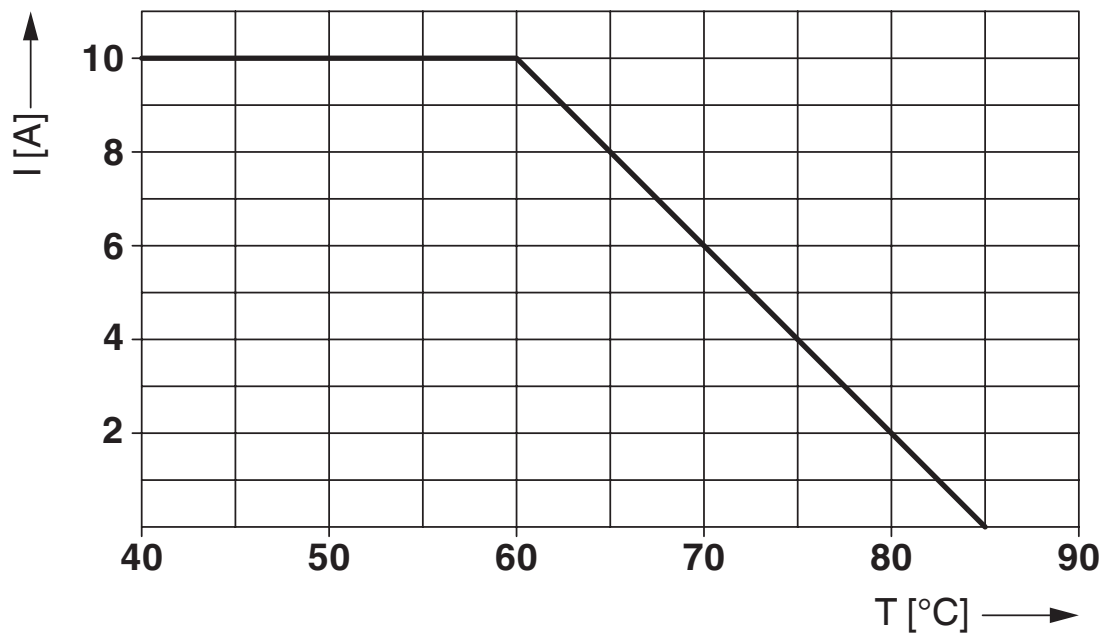
Dimensional drawing



Circuit diagram



Diagram



2906829

<https://www.phoenixcontact.com/no/products/2906829>

Approvals

To download certificates, visit the product detail page: <https://www.phoenixcontact.com/no/products/2906829>



CSA

Approval ID: 70136717



DNV GL

Approval ID: TAE000027G



UL Listed

Approval ID: FILE E 138168



CSAus

Approval ID: 70136717

UAE-RoHS

Approval ID: 22-06-16783

Functional Safety

Approval ID: 16-06-072 R024 V2R0

cCSAus

TTC-6-TVSD-C-12DC-UT-I - Surge protection device



2906829

<https://www.phoenixcontact.com/no/products/2906829>

Classifications

ECLASS

ECLASS-11.0	27130807
ECLASS-13.0	27171501

ETIM

ETIM 9.0	EC001625
----------	----------

UNSPSC

UNSPSC 21.0	39121600
-------------	----------

TTC-6-TVSD-C-12DC-UT-I - Surge protection device



2906829

<https://www.phoenixcontact.com/no/products/2906829>

Environmental product compliance

REACH SVHC	Lead 7439-92-1
China RoHS	Environmentally Friendly Use Period = 50 years
	For information on hazardous substances, refer to the manufacturer's declaration available under "Downloads"

Phoenix Contact 2024 © - all rights reserved

<https://www.phoenixcontact.com>

PHOENIX CONTACT AS

Strømsveien 344

N-1081 Oslo

+47 22 07 68 00

norge@phoenixcontact.com