

TTC-6-MOV-C-120AC-UT-I - Surge protection device



2906840

Electrical number: 1678733

<https://www.phoenixcontact.com/no/products/2906840>

Please be informed that the data shown in this PDF document is generated from our online catalog. Please find the complete data in the user documentation. Our general terms of use for downloads are valid.



Medium surge protection with integrated status indicator for a signal wire with grounded reference potential.

Your advantages

- Space-saving and cost-saving with a narrow overall width of just 6 mm
- Continuous monitoring of protective devices, plus mechanical status indicator with optional remote signaling
- Finding the right product for all possible requirements in MCR applications is easy, thanks to the complete range of products with customized features

Commercial data

| | |
|--------------------------------------|---------------------|
| Item number | 2906840 |
| Packing unit | 1 pc |
| Minimum order quantity | 1 pc |
| Sales key | 31BCL |
| Product key | CL2264 |
| Catalog page | Page 150 (C-4-2019) |
| GTIN | 4055626136967 |
| Weight per piece (including packing) | 30 g |
| Weight per piece (excluding packing) | 13.1 g |
| Customs tariff number | 85363010 |
| Country of origin | DE |

TTC-6-MOV-C-120AC-UT-I - Surge protection device



2906840

Electrical number: 1678733

<https://www.phoenixcontact.com/no/products/2906840>

Technical data

Product properties

| | |
|--------------------------------|-------------------------------------|
| IEC test classification | C1 |
| | C2 |
| | C3 |
| Type | DIN rail module, one-piece |
| Product type | Surge protection for MCR technology |
| Product family | TERMITRAB complete |
| Surge protection fault message | optical |

Insulation characteristics

| | |
|----------------------|-----|
| Overvoltage category | III |
| Pollution degree | 2 |

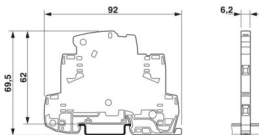
Electrical properties

| | |
|-----------------------|----------|
| Nominal voltage U_N | 120 V AC |
|-----------------------|----------|

Connection data

| | |
|----------------------------------|---------------------------------------------|
| Connection method | Screw connection |
| Screw thread | M3 |
| Tightening torque | 0.5 Nm ... 0.6 Nm |
| Conductor cross section flexible | 0.2 mm ² ... 2.5 mm ² |
| Conductor cross section rigid | 0.2 mm ² ... 4 mm ² |
| Conductor cross section AWG | 24 ... 12 |

Dimensions

| | |
|---------------------|--------------------------------------------------------------------------------------|
| Dimensional drawing |  |
| Width | 6.2 mm |
| Height | 92 mm |
| Depth | 69.5 mm (incl. DIN rail 7.5 mm) |

Material specifications

| | |
|----------------------------------------|-----------------|
| Color | gray (RAL 7042) |
| Flammability rating according to UL 94 | V-0 |
| Insulating material | PBT |
| Housing material | PBT |

Mechanical properties

TTC-6-MOV-C-120AC-UT-I - Surge protection device



2906840

Electrical number: 1678733

<https://www.phoenixcontact.com/no/products/2906840>

Mechanical data

| | |
|-----------------|-----|
| Open side panel | Yes |
|-----------------|-----|

Protective circuit

| | |
|--------------------------------------------------------------------|-----------------------------------------------------|
| Direction of action | Line-Earth Ground |
| Maximum continuous voltage U_C | 150 V DC |
| | 150 V AC |
| Rated current | 10 A (60 °C) |
| Operating effective current I_C at U_C | $\leq 100 \mu\text{A}$ |
| Residual current I_{PE} | $\leq 100 \mu\text{A}$ |
| Nominal discharge current I_n (8/20) μs (line-ground) | 2.5 kA |
| Voltage protection level U_p (line-earth) | $\leq 200 \text{ V}$ (C1 - 800 A) |
| | $\leq 500 \text{ V}$ (C2 - 5 kV) |
| | $\leq 380 \text{ V}$ (C3 - 25 A) |
| | $\leq 380 \text{ V}$ (C3 - 35 A) |
| Response time t_A (line-earth) | $\leq 25 \text{ ns}$ |
| Input attenuation aE, asym. | typ. 0.3 dB ($\leq 300 \text{ kHz} / 150 \Omega$) |
| Cut-off frequency f_g (3 dB), asym. (PE) in 150 Ω system | typ. 1 MHz |
| Capacity (Core-Earth) | 5 nF |
| Resistance per path | $\leq 100 \text{ m}\Omega$ |
| Surge protection fault message | optical |
| Impulse durability (line-earth) | C1 - 800 A |
| | C2 - 2.5 kA |
| | C3 - 35 A |

Environmental and real-life conditions

Ambient conditions

| | |
|-----------------------------------------|------------------------------|
| Degree of protection | IP20 (with end cover) |
| Ambient temperature (operation) | -40 °C ... 85 °C |
| Ambient temperature (storage/transport) | -40 °C ... 85 °C |
| Altitude | $\leq 2000 \text{ m}$ (amsl) |
| Permissible humidity (operation) | 5 % ... 95 % |

Standards and regulations

| | |
|--------------------------|-------------------------------------------------------|
| Standards/specifications | IEC 61643-21 |
| Note | 2000 + corrigendum 2001 + A1:2008, modified + A2:2012 |

EN 61643-21

| | |
|--------------------------|--------------------------|
| Standards/specifications | EN 61643-21 |
| Note | 2001 + A1:2009 + A2:2013 |

Mounting

| | |
|---------------|-----------------|
| Mounting type | DIN rail: 35 mm |
|---------------|-----------------|

TTC-6-MOV-C-120AC-UT-I - Surge protection device



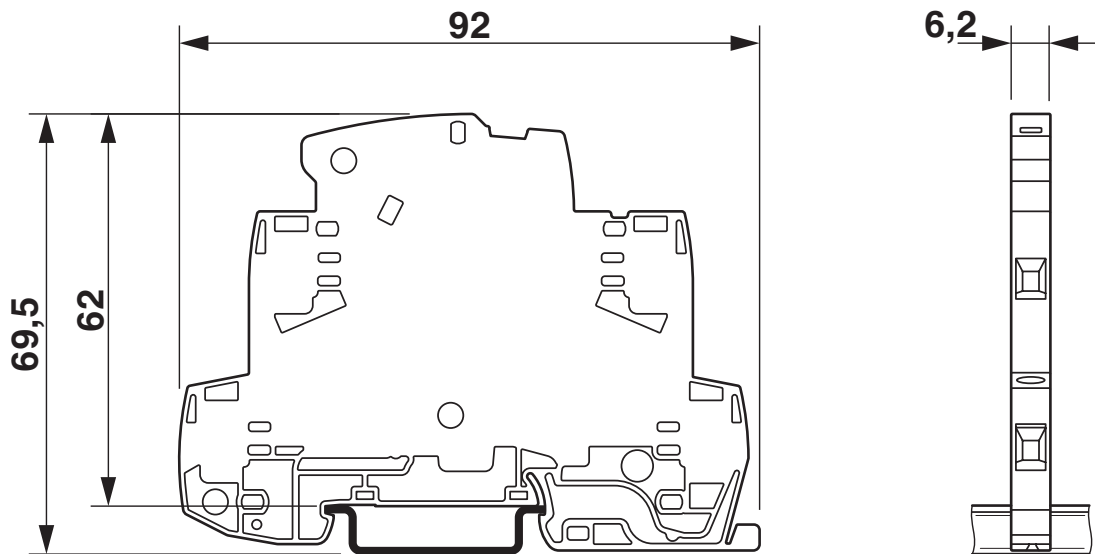
2906840

Electrical number: 1678733

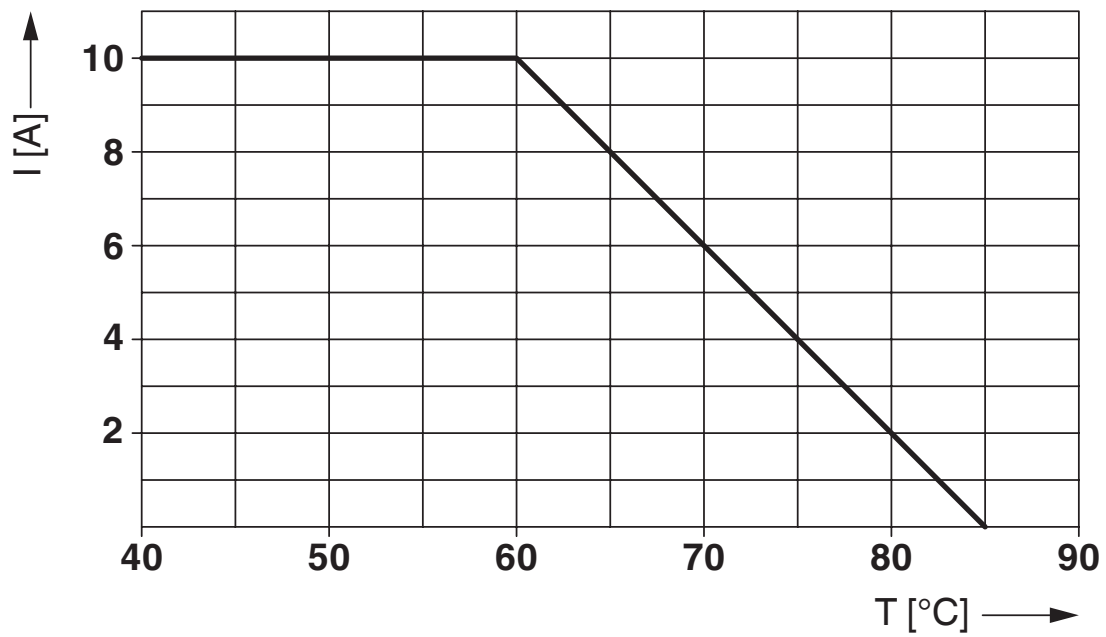
<https://www.phoenixcontact.com/no/products/2906840>

Drawings

Dimensional drawing



Diagram



TTC-6-MOV-C-120AC-UT-I - Surge protection device

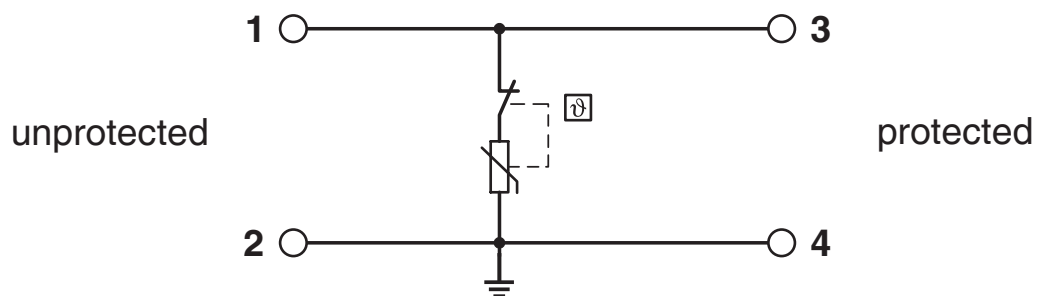
2906840

Electrical number: 1678733

<https://www.phoenixcontact.com/no/products/2906840>



Circuit diagram



TTC-6-MOV-C-120AC-UT-I - Surge protection device



2906840

Electrical number: 1678733

<https://www.phoenixcontact.com/no/products/2906840>

Approvals

🔗 To download certificates, visit the product detail page: <https://www.phoenixcontact.com/no/products/2906840>



CSA

Approval ID: 70136717



DNV GL

Approval ID: TAE000027G



UL Listed

Approval ID: FILE E 138168



CSAus

Approval ID: 70136717

UAE-RoHS

Approval ID: 22-06-16192

Functional Safety

Approval ID: 16-06-072 R024 V2R0

cCSAus

TTC-6-MOV-C-120AC-UT-I - Surge protection device



2906840

Electrical number: 1678733

<https://www.phoenixcontact.com/no/products/2906840>

Classifications

ECLASS

| | |
|-------------|----------|
| ECLASS-11.0 | 27130807 |
| ECLASS-13.0 | 27171501 |

ETIM

| | |
|----------|----------|
| ETIM 9.0 | EC001625 |
|----------|----------|

UNSPSC

| | |
|-------------|----------|
| UNSPSC 21.0 | 39121600 |
|-------------|----------|

TTC-6-MOV-C-120AC-UT-I - Surge protection device



2906840

Electrical number: 1678733

<https://www.phoenixcontact.com/no/products/2906840>

Environmental product compliance

| | |
|------------|---------------------------------------------------------|
| China RoHS | Environmentally friendly use period: unlimited = EFUP-e |
| | No hazardous substances above threshold values |

Phoenix Contact 2024 © - all rights reserved

<https://www.phoenixcontact.com>

PHOENIX CONTACT AS
Strømsveien 344
N-1081 Oslo
+47 22 07 68 00
norge@phoenixcontact.com