

# REL-IR4/200AC/4X21 - Single relay



2907056

<https://www.phoenixcontact.com/pc/products/2907056>

Please be informed that the data shown in this PDF document is generated from our online catalog. Please find the complete data in the user documentation. Our general terms of use for downloads are valid.



Plug-in industrial relay with power contacts, 4 changeover contacts, test key, mechanical switch position indicator, polarity: bipolar, input voltage: 200 V AC

## Commercial data

Item number	2907056
Packing unit	10 pc
Minimum order quantity	1 pc
Product key	CK6193
Catalog page	Page 302 (C-5-2019)
GTIN	4055626175744
Weight per piece (including packing)	30.87 g
Weight per piece (excluding packing)	30.87 g
Customs tariff number	85364900
Country of origin	PL

# REL-IR4/200AC/4X21 - Single relay



2907056

<https://www.phoenixcontact.com/pc/products/2907056>

## Technical data

### Product properties

Product type	Single relay
Operating mode	100% operating factor
Mechanical service life	1x 10 <sup>7</sup> cycles, approximately

### Insulation characteristics

Insulation	Basic insulation
------------	------------------

### Insulation characteristics

Insulation	Basic insulation
Overvoltage category	II
Pollution degree	2

### Electrical properties

Maximum power dissipation for nominal condition	1.42 W
Test voltage (Winding/contact)	2.5 kV <sub>rms</sub> (50 Hz, 1 min., winding/contact)
Test voltage (Changeover contact/changeover contact)	2.5 kV <sub>rms</sub> (50 Hz, 1 min., changeover contact/changeover contact)
Rated insulation voltage	250 V AC
Rated surge voltage	2.5 kV

### Input data

#### Coil side

Nominal input voltage U <sub>N</sub>	200 V AC
Input voltage range	156 V AC ... 276 V AC (20 °C)
Mains frequency	50/60 Hz
Drive and function	monostable
Drive (polarity)	non-polarized
Typical input current at U <sub>N</sub>	7.1 mA
Typical response time	5 ms ... 15 ms (depending on phase relation)
Typical release time range	5 ms ... 20 ms (depending on phase relation)

### Output data

#### Switching

Contact switching type	4 changeover contacts
Type of switch contact	Single contact
Contact material	AgNi
Maximum switching voltage	250 V AC/DC
Minimum switching voltage	5 V (At 24 mA)
Limiting continuous current	6 A
Maximum inrush current	16 A (20 ms, N/O contacts) 12 A (4 s, N/O contacts)

# REL-IR4/200AC/4X21 - Single relay



2907056

<https://www.phoenixcontact.com/pc/products/2907056>

Min. switching current	5 mA (at 24 V)
Interrupting rating (ohmic load) max.	144 W (at 24 V DC)
	124 W (at 48 V DC)
	108 W (at 60 V DC)
	52 W (at 110 V DC)
	48 W (at 220 V DC)
	1500 VA (for 250 V AC)
Switching capacity min.	0.12 W
Switching capacity	2 A (at 24 V, DC13)
	1 A (at 230 V, AC15)

## Connection data

Connection method	Plug-in connection
-------------------	--------------------

## Dimensions

Width	21.2 mm
Height	27.5 mm
Depth	35.6 mm

## Environmental and real-life conditions

### Ambient conditions

Degree of protection	RT I
Ambient temperature (operation)	-40 °C ... 55 °C
Ambient temperature (storage/transport)	-40 °C ... 85 °C

## Approvals

### Corrosive gas test

Identification	ISA-S71.04. G3 Harsh Group
	EN 60068-2-60

## Standards and regulations

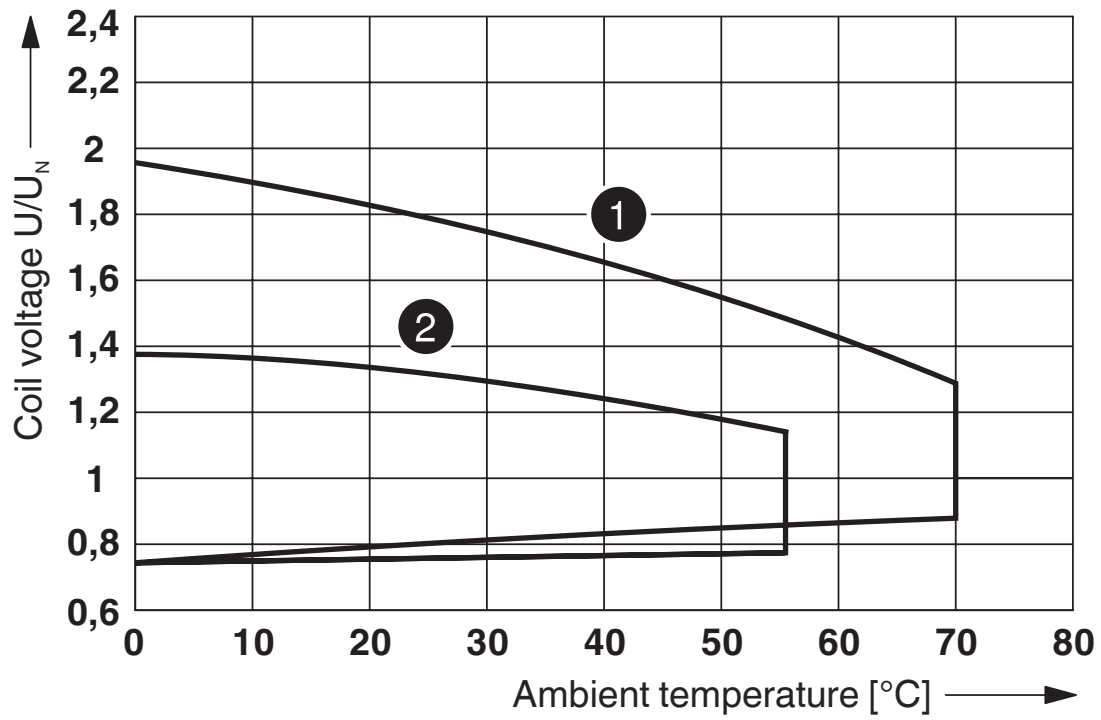
Standards/regulations	IEC 60664
	IEC 61810

## Mounting

Mounting position	any
-------------------	-----

## Drawings

Diagram



- ① DC coils
- ② AC coils

Operating voltage range

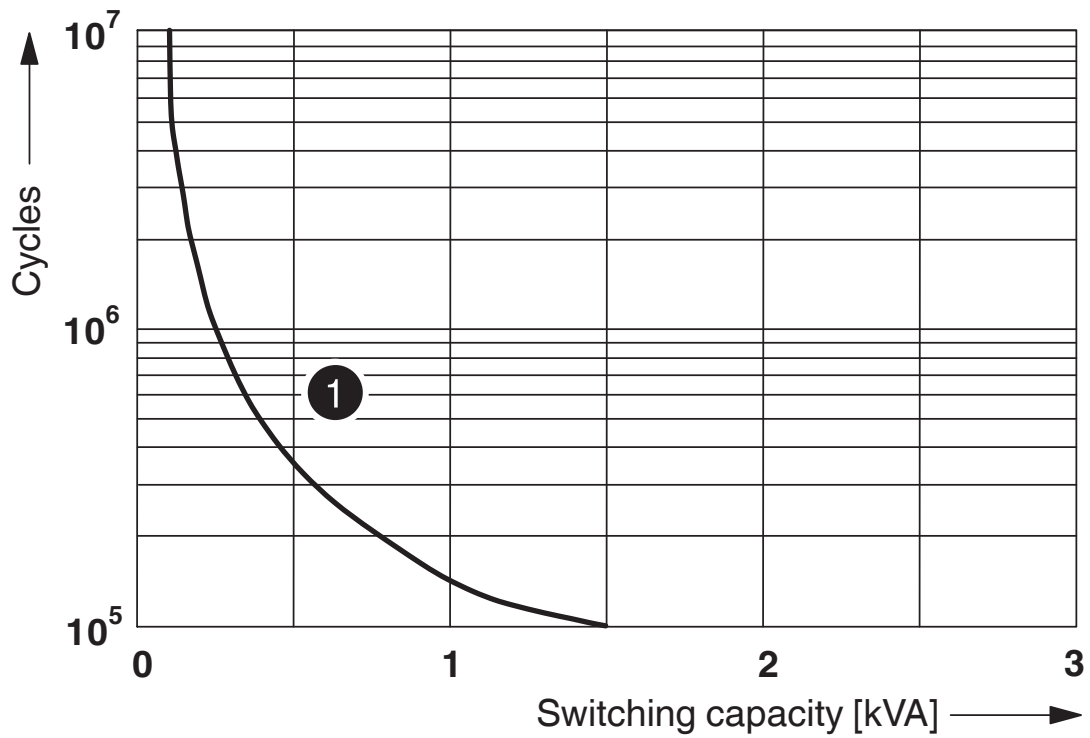
# REL-IR4/200AC/4X21 - Single relay



2907056

<https://www.phoenixcontact.com/pc/products/2907056>

Diagram



① 250 V AC, Ohmic load

Electrical service life

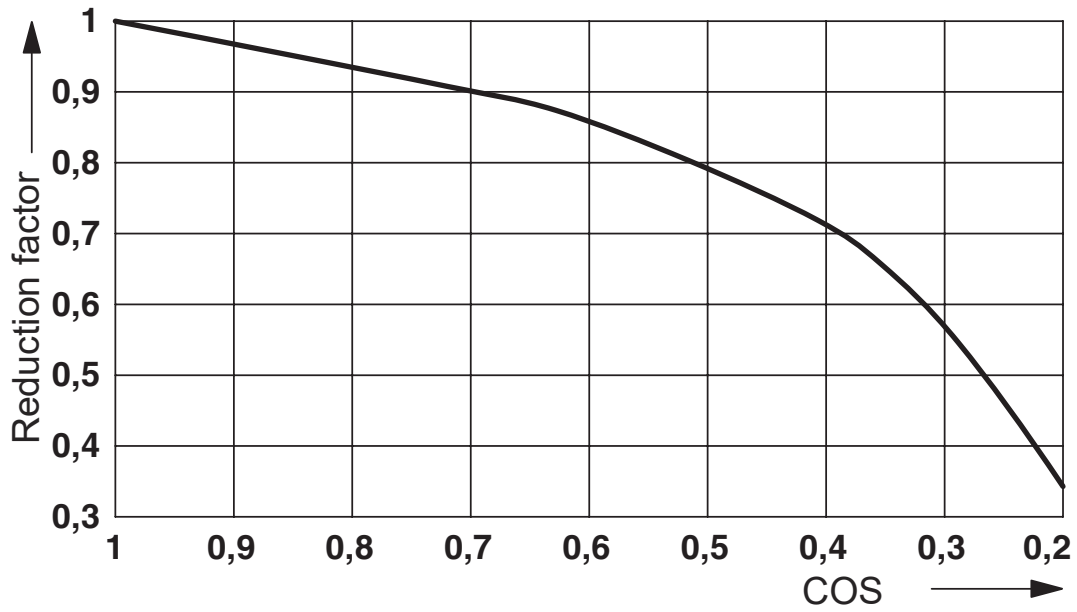
# REL-IR4/200AC/4X21 - Single relay



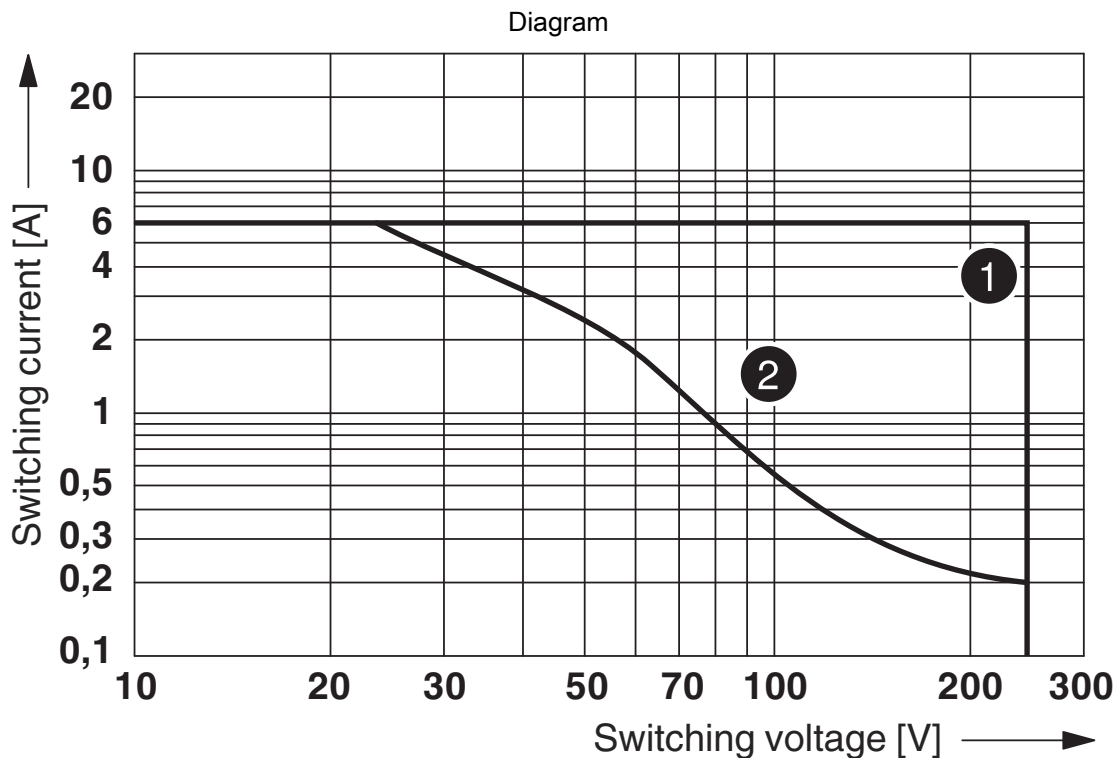
2907056

<https://www.phoenixcontact.com/pc/products/2907056>

Diagram



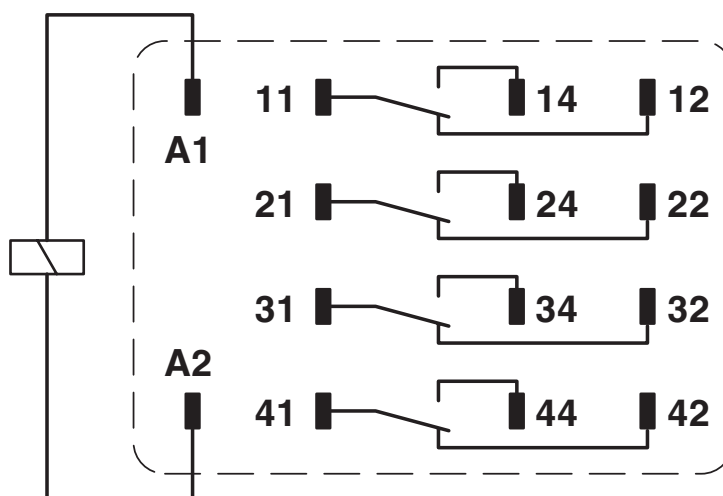
Service life reduction factor



- ① AC, ohmic load
- ② DC, ohmic load

Interrupting rating

Circuit diagram



# REL-IR4/200AC/4X21 - Single relay



2907056

<https://www.phoenixcontact.com/pc/products/2907056>

## Classifications

### ECLASS

ECLASS-11.0

27371601

### ETIM

ETIM 8.0

EC001437

### UNSPSC

UNSPSC 21.0

39122300



# REL-IR4/200AC/4X21 - Single relay



2907056

<https://www.phoenixcontact.com/pc/products/2907056>

## Environmental product compliance

### EU RoHS

Fulfills EU RoHS substance requirements	Yes, No exemptions
---	--------------------

### China RoHS

Environment friendly use period (EFUP)	EFUP-E
	No hazardous substances above the limits

### EU REACH SVHC

REACH candidate substance (CAS No.)	No substance above 0.1 wt%
-------------------------------------	----------------------------

# REL-IR4/200AC/4X21 - Single relay



2907056

<https://www.phoenixcontact.com/pc/products/2907056>

## Accessories

### RIF-2-BPT/4X21 - Relay base

2900934

<https://www.phoenixcontact.com/pc/products/2900934>



Relay base RIF-2..., for industrial relay with 2 or 4 changeover contacts, Push-in connection, plug-in option for input/interference suppression modules, for mounting on NS 35/7,5

### RIF-2-BSC/4X21 - Relay base

2900932

<https://www.phoenixcontact.com/pc/products/2900932>



RIF-2... relay base, for industrial relay with 2 or 4 changeover contacts, screw connection, plug-in option for input/interference suppression modules, for mounting on NS 35/7,5

Phoenix Contact 2024 © - all rights reserved

<https://www.phoenixcontact.com>

PHOENIX CONTACT GmbH & Co. KG

Flachsmarktstraße 8

D-32825 Blomberg

+49 (0) 5235-3 00

[info@phoenixcontact.com](mailto:info@phoenixcontact.com)